



**DANGER**

**Danger of electrical shock, burns or death.** Always remove all power sources before attempting any repair, service or diagnostic work. Power can be present from shore power, generator, inverter or battery. All power sources must be disabled and secured before performing any service.

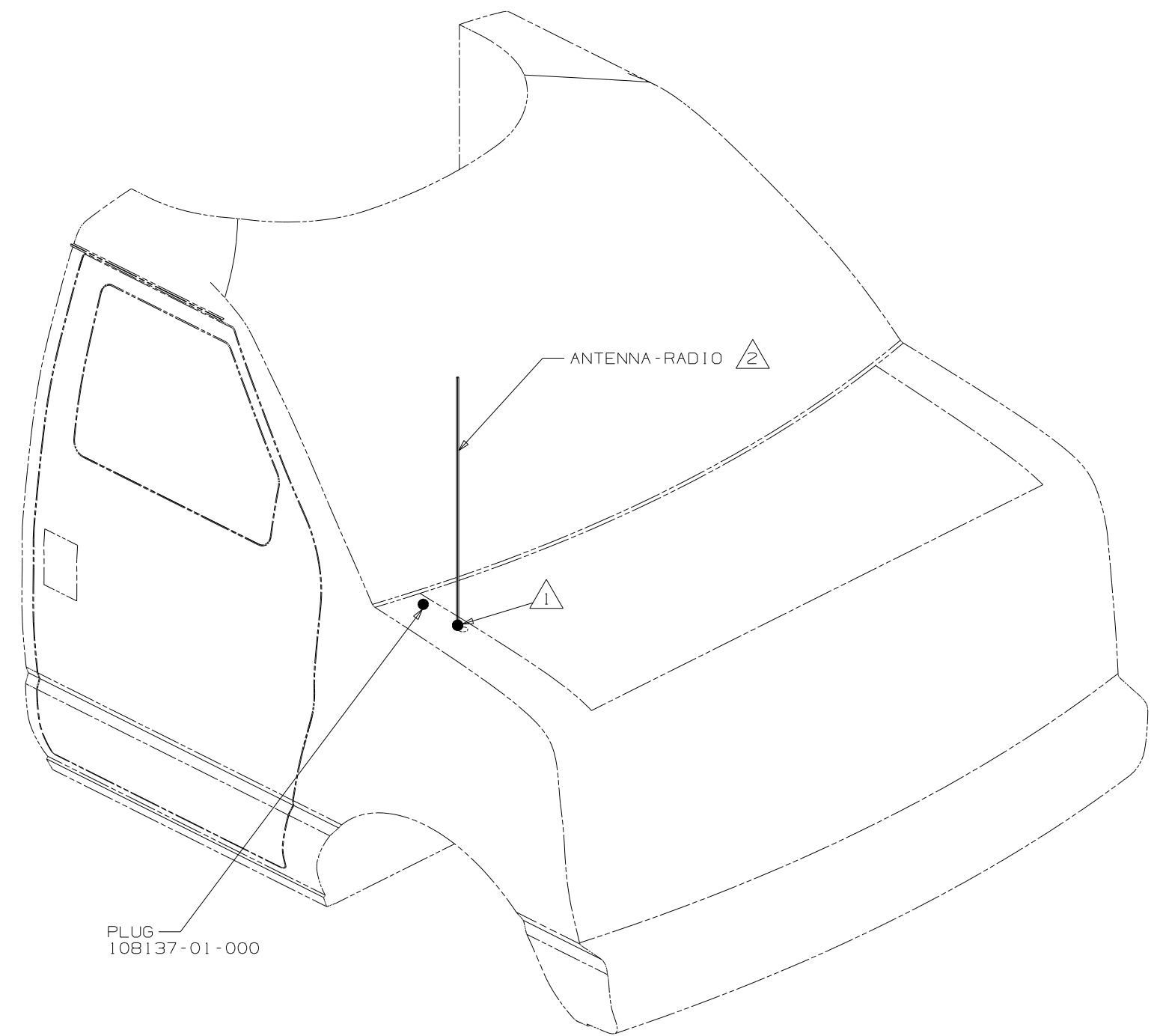


**CAUTION**

If you lack the skills, tools or equipment to perform diagnostic or repair work leave such work to an authorized Winnebago Industries dealer or other qualified shop.

DWG NO	SHEET
141323-01	1
141323-02	2
141323-03	3

RELEASE	REV DATE	DWG NO
A		141323
REV ZONE	REVISION RECORD	DATE DFR-ORIG

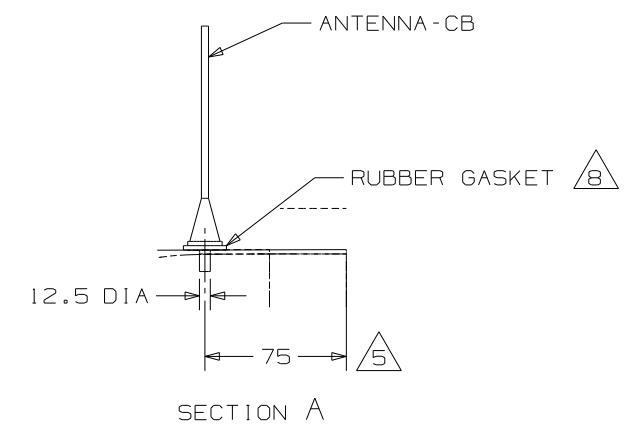
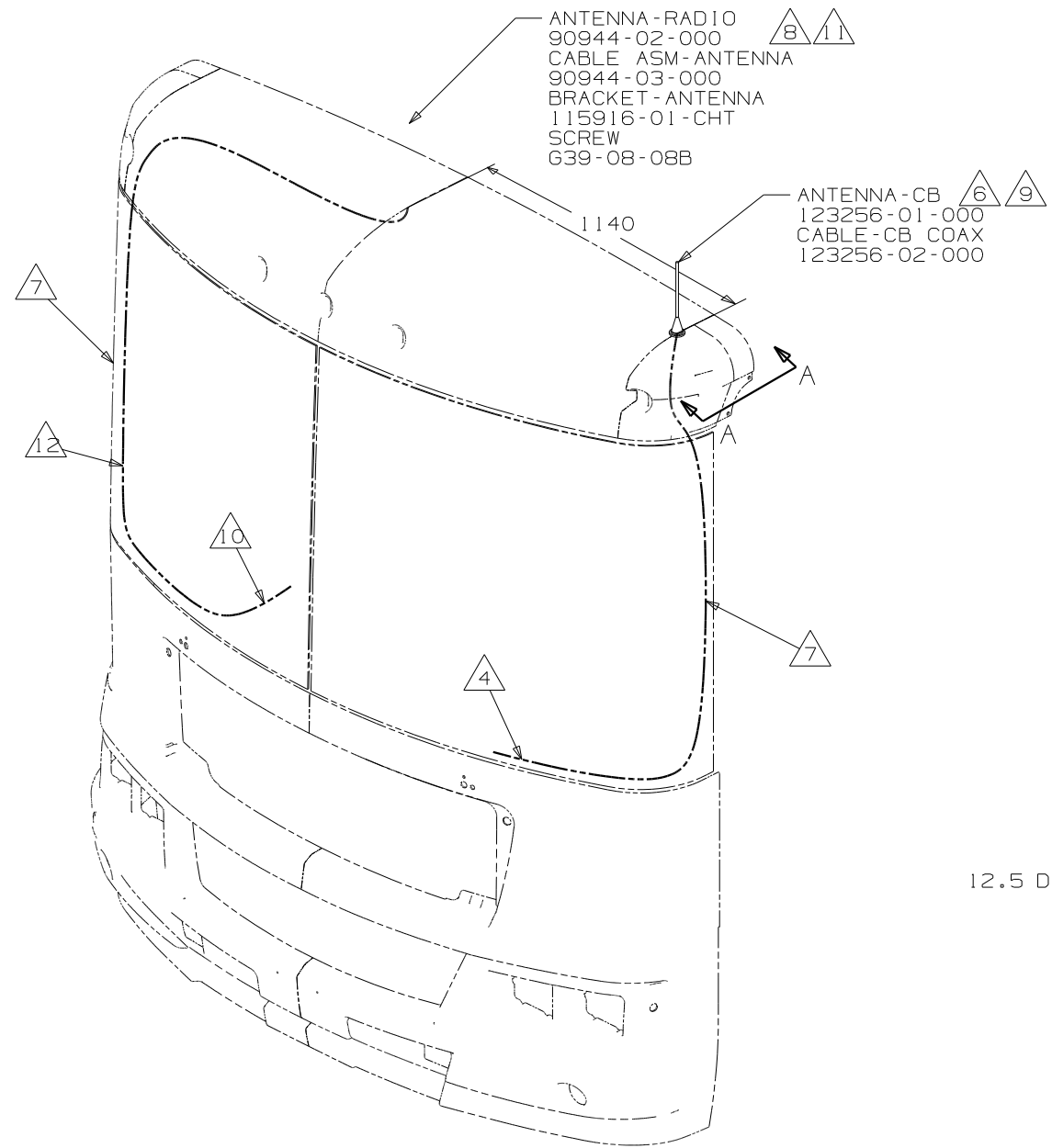


- NOTES:
- 12 TAP CABLE EXTENSION TO CABLE ANTENNA AT CONNECTION, USE TAPE 8363-01-000.
  - 11 USE HOLE IN BRACKET AS GUIDE TO DRILL 13 DIAMETER HOLE IN FIBERGLASS.
  - 10 TO RADIO.
  - 9 ATTACH ANTENNA-CB GROUND WIRE TO CAB FRAME USE SCREW G39-08-08B.
  - 8 SEAL AROUND ANTENNA BASE.
  - 7 ROUTE CABLE ALONG A-POST, UNDER TRIM COVER.
  - 6 40J CB PREP.
  - 5 MEASURED FROM REAR EDGE OF FIBERGLASS CAP.
  - 4 SEE WIRING INSTL-FRONT END FOR LOCATION OF COAX END AND LABEL.
  - 3 DO NOT RELOCATE ANTENNA ON SHELLS.
  - 2 SUPPLIED WITH CHASSIS.
  - 1 SEE FRAME ASM-CHASSIS FOR HOLE LOCATION AND SIZE.



PLUG  
108137-01-000



FORD CHASSIS  
300 SERIES ONLY  
EXCEPT SHELLS

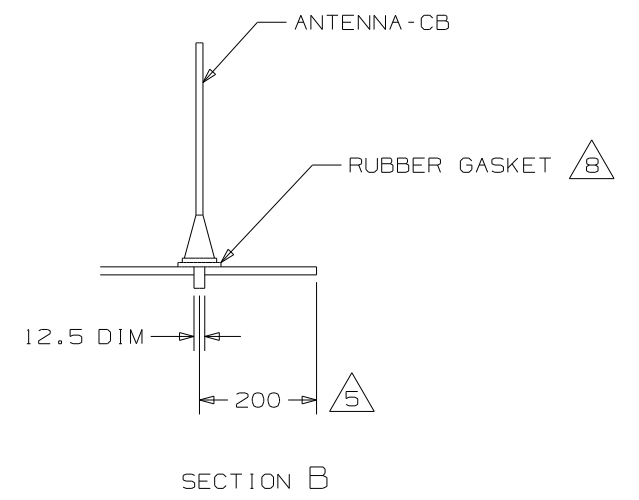
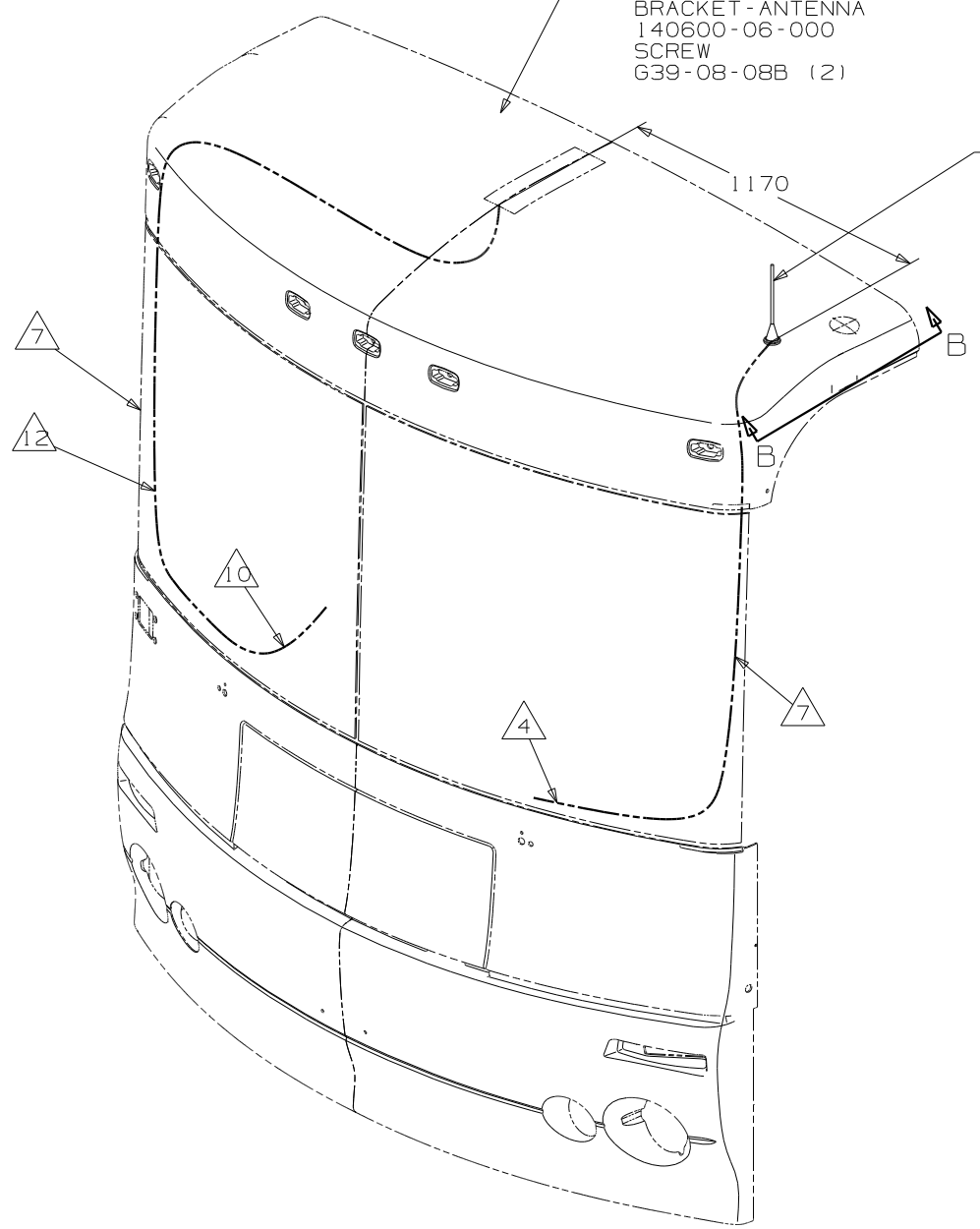
<b>WINNEBAGO</b>		COPYRIGHT 2005 WINNEBAGO INDUSTRIES, INC.	
DFTR	ORIG. DATE	ALL DIMENSIONS ARE IN MILLIMETERS	
CHKR		FIRST USED	
P.E.		03 MOTORHOMES	
M.E.		UNSPECIFIED TOLERANCES ARE:	
DSNR		MATERIAL:	
		WHOLE DIM (X) :	
		ONE-PLACE (X.X) :	
		TWO-PLACE (X.XX) :	
		ANGLE :	
THIRD ANGLE PROJECTION			
DO NOT SCALE DRAWING			
TITLE: ANTENNA INSTL-RADIO AND CB			
SHEET 1 OF 3	PART NO	141323	
REF:	1 10/31/2005		



FIRST USED	
D,L,F&G-SERIES,40J CB PREP	
DO NOT SCALE DRAWING	
TITLE:	
ANTENNA INSTL-RADIO AND CB	
SHEET 2	PART NO 141323

ANTENNA - RADIO    
 90944-02-000  
 CABLE ASM-ANTENNA  
 90944-03-000  
 BRACKET-ANTENNA  
 140600-06-000  
 SCREW  
 G39-08-08B (2)

ANTENNA - CB    
 123256-01-000  
 CABLE - CB COAX  
 123256-02-000



FIRST USED	
P&Q-SERIES, 40J CB PREP	
DO NOT SCALE DRAWING	
TITLE:	
ANTENNA INSTL-RADIO AND CB	
SHEET 3	PART NO
	141323