



**DANGER**

**Danger of electrical shock, burns or death.** Always remove all power sources before attempting any repair, service or diagnostic work. Power can be present from shore power, generator, inverter or battery. All power sources must be disabled and secured before performing any service.

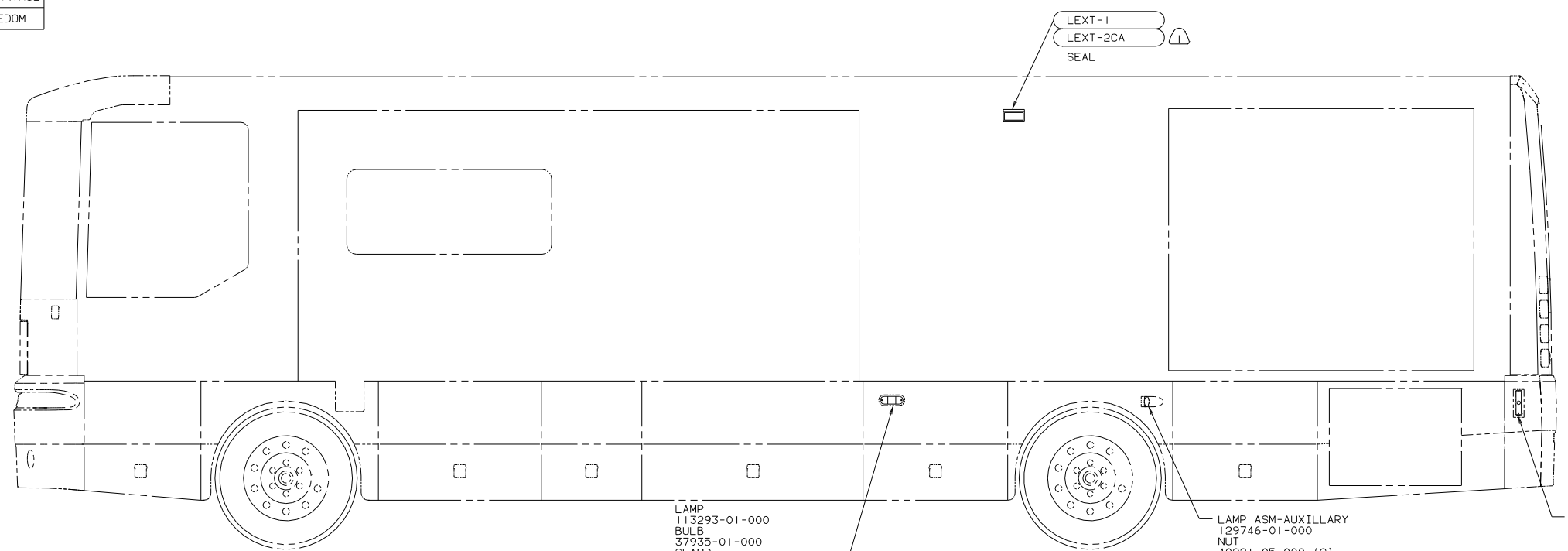


**CAUTION**

If you lack the skills, tools or equipment to perform diagnostic or repair work leave such work to an authorized Winnebago Industries dealer or other qualified shop.

DWG NO	MODEL
142006-01	ADVANTAGE
142006-02	FREEDOM

RELEASE	REV A	DATE	07/23/02	ADM	NO	42006
REV ZONE		REVISION RECORD		DATE	07/23/02	



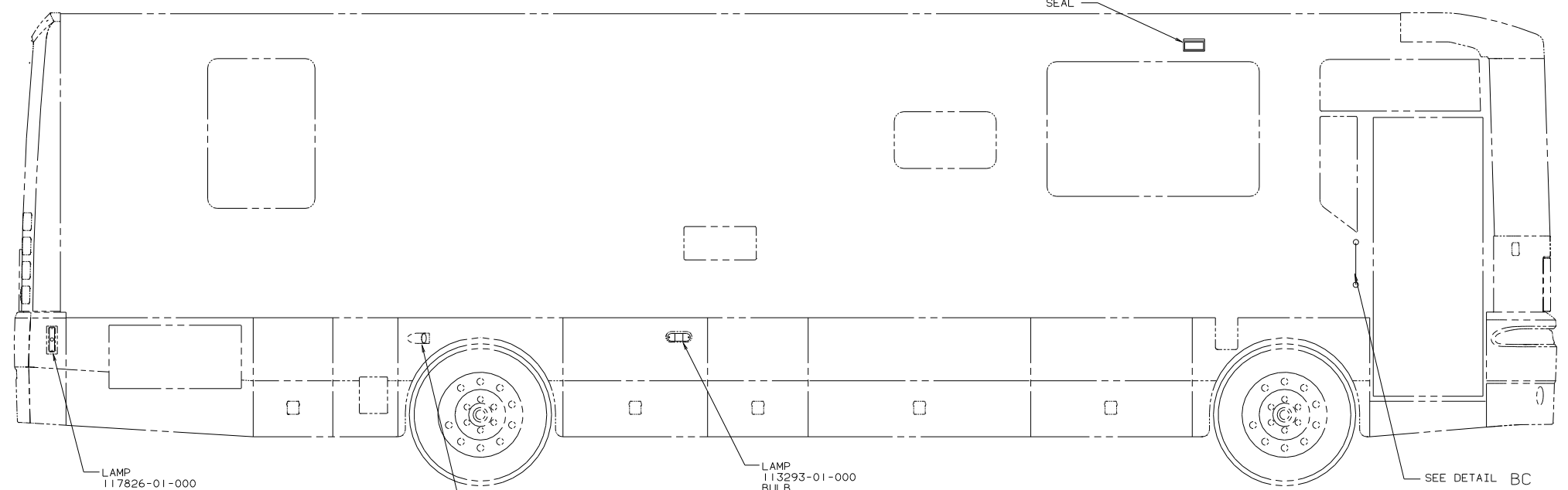
LEXT-1  
LEXT-2CA  
SEAL

LAMP  
113293-01-000  
BULB  
37935-01-000  
CLAMP  
10495-01-000  
SCREW  
G67-10-12U (EXT)  
SCREW  
G11-08-16U (EXT) (2)  
NUT  
40921-05-000 (2)  
GASKET  
116208-01-000  
WIRE ASM-LAMP  
107775-04-000

LAMP ASM-AUXILLARY  
129746-01-000  
NUT  
40921-05-000 (2)  
SCREW  
G39-08-10U (EXT) (3)  
SHIM-STRIKER  
120494-03-CHT (A/R)

LAMP  
117826-01-000  
SCREW  
G11-08-12U (EXT) (2)  
BULB  
36196-01-000  
GASKET  
117826-03-000

LEXT-1  
LEXT-2CA  
SEAL



LAMP  
117826-01-000  
SCREW  
G11-08-12U (EXT) (2)  
BULB  
36196-01-000  
GASKET  
117826-03-000

LAMP ASM-AUXILLARY  
129746-01-000  
NUT  
40921-05-000 (2)  
SCREW  
G39-08-10U (EXT) (3)  
SHIM-STRIKER  
120494-03-CHT (A/R)

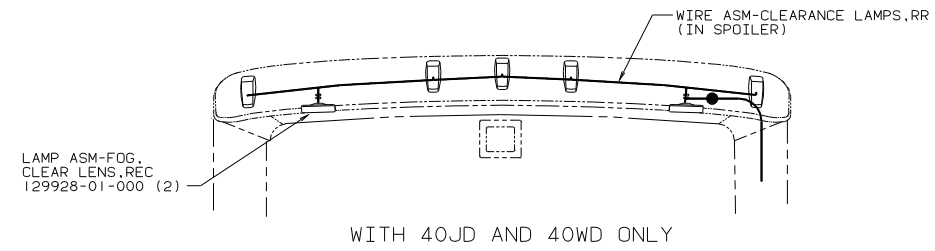
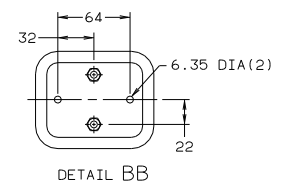
LAMP  
113293-01-000  
BULB  
37935-01-000  
CLAMP  
10495-01-000  
SCREW  
G67-10-12U (EXT)  
SCREW  
G11-08-16U (EXT) (2)  
NUT  
40921-05-000 (2)  
GASKET  
116208-01-000  
WIRE ASM-LAMP  
107775-04-000

SEE DETAIL BC

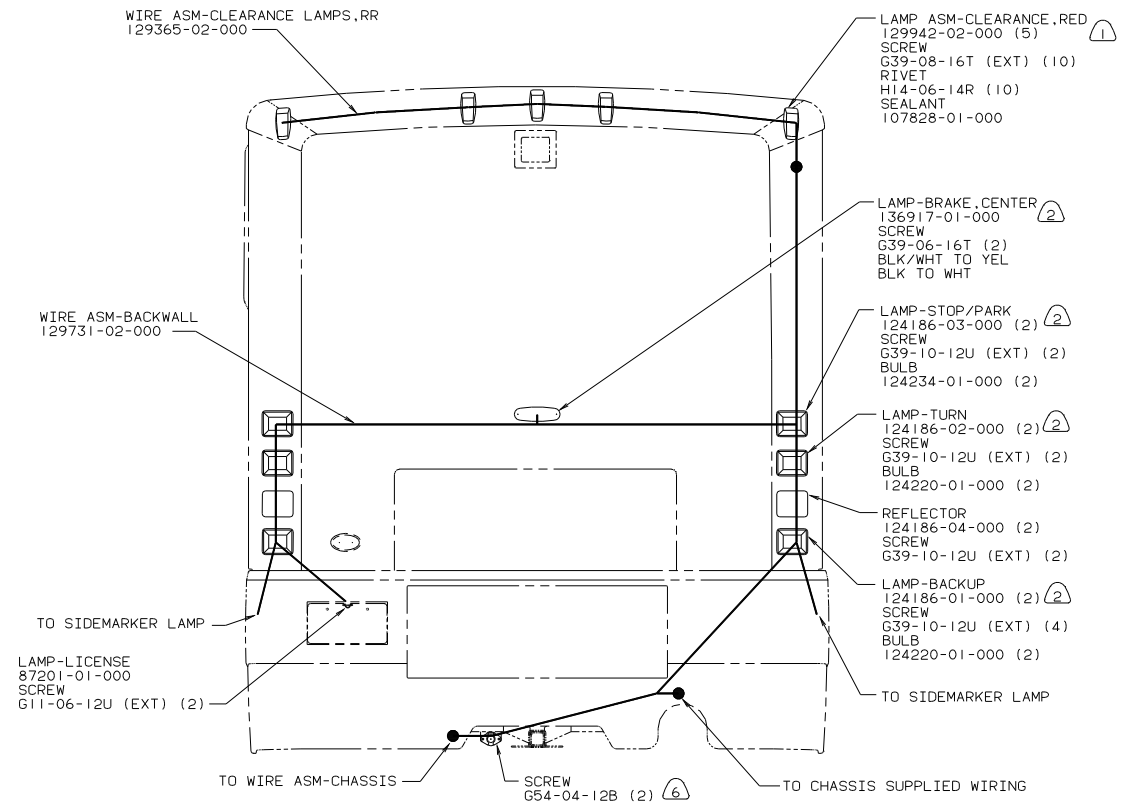
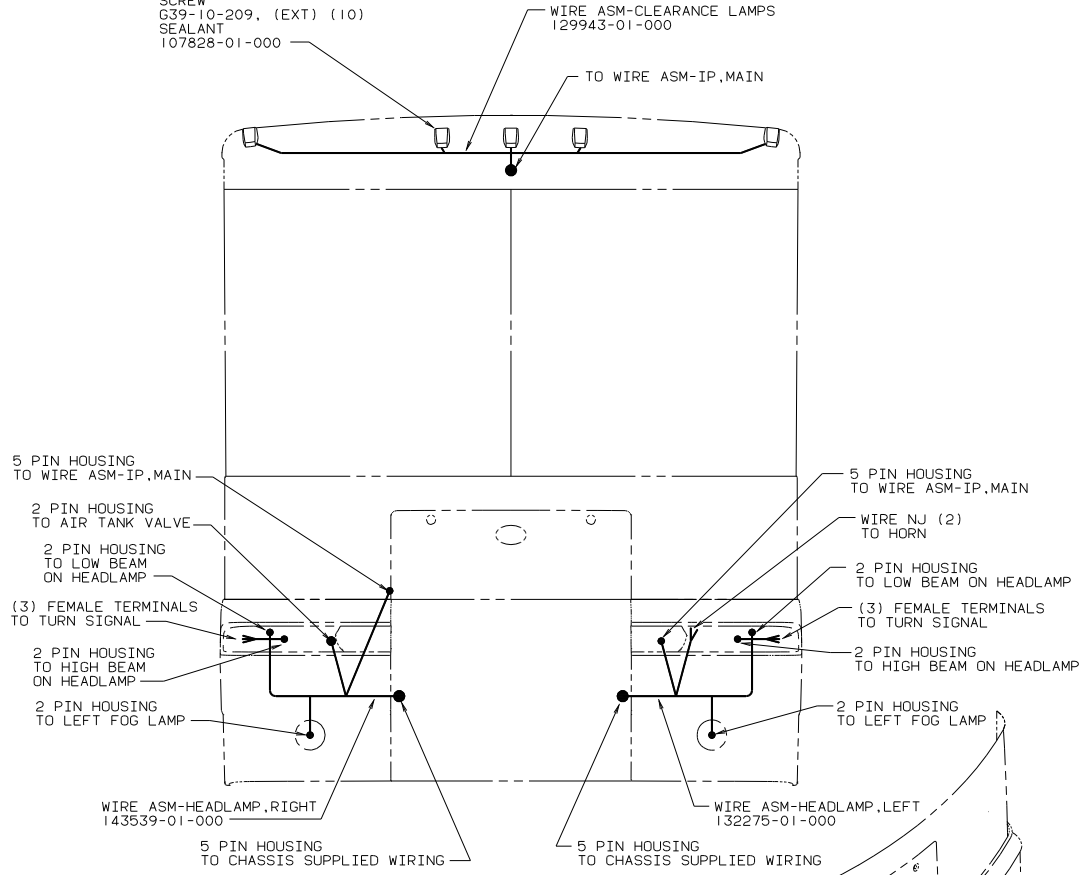
1 INSTALL WITH WIRES TOWARDS ROOF.

NOTES:

COPYRIGHT 2002 WINNEBAGO INDUSTRIES, INC.		<b>WINNEBAGO</b>		03 Q-SERIES
DWTR	DATE	UNSPECIFIED TOLERANCES ARE:	MATERIAL:	
CHWR	DATE	ANGLE DIM (X)	+	
P E	DATE	ONE-PLACE (X, X)	+	
M E	DATE	TWO-PLACE (X, XX)	+	
CSNR	DATE	ANGLE	+	
	DATE	THIRD ANGLE PROJECTION	+	
LAYOUT NO		TITLE	WIRING INSTL-EXTERIOR LAMPS	
DIA #	SCALE: NONE	DO NOT SCALE DRAWINGS	SIZE	DWG NO
ALL DIMENSIONS ARE IN MILLIMETERS		SHEET	OF 2	142006
REF: 137741-D		07/23/02		



- ③ LAMP-CLEARANCE AMBER 129942-01-000 (5)
- SCREW G39-10-209, (EXT) (10)
- SEALANT 107828-01-000



- ⑥ CONNECTOR-PLUG,TRAILER (113589-01-000) TO BE SUPPLIED IN COACH.
- ⑤ CONNECT WIRES FROM WIRE ASM-HEADLAMP AS SHOWN TO PARK TURN LAMP SOCKET, THEN FILL WITH HOT MELT GLUE.
- ④ MOUNT TO PARKLAMP LOOSE, WHEN LIGHT IS POSITIONED PROPERLY IN OPENING TIGHTEN ALL FASTENERS.
- ③ THE LIGHT MUST BE POSITIONED WITH THE WORD "REAR" ON THE BASE FACING REARWARD.
- ② REMOVE EXISTING NUTS FROM LAMP ASM AND DO NOT USE. DRILL TWO PILOT HOLES IN BASE OF LAMP, USE NEW SCREWS TO ATTACH. SEE DETAIL BB.
- ① THE LIGHT MUST BE POSITIONED WITH THE WORD "REAR" ON THE BASE FACING FORWARD.

- LAMP ASM-FOG 130051-01-000 (RH) 130051-02-000 (LH)
- BOLT C26-06-12B (4)
- NUT D39-06-00B (4)
- BRKT ASM-PARKLAMP 135879-02-CHT (RH) 135879-03-CHT (LH)
- NUT D39-04-00B (2)
- HEADLAMP ASM W/HALOGEN BULB 129927-01-000 (RH) 129927-02-000 (LH)
- CLIP 124163-01-000 (6)
- LAMP ASM-PARK/TURN 124161-01-000 RH 124161-02-000 LH
- BOLT 128053-01-000(2)
- SPACER 98842-51-003(2)

