



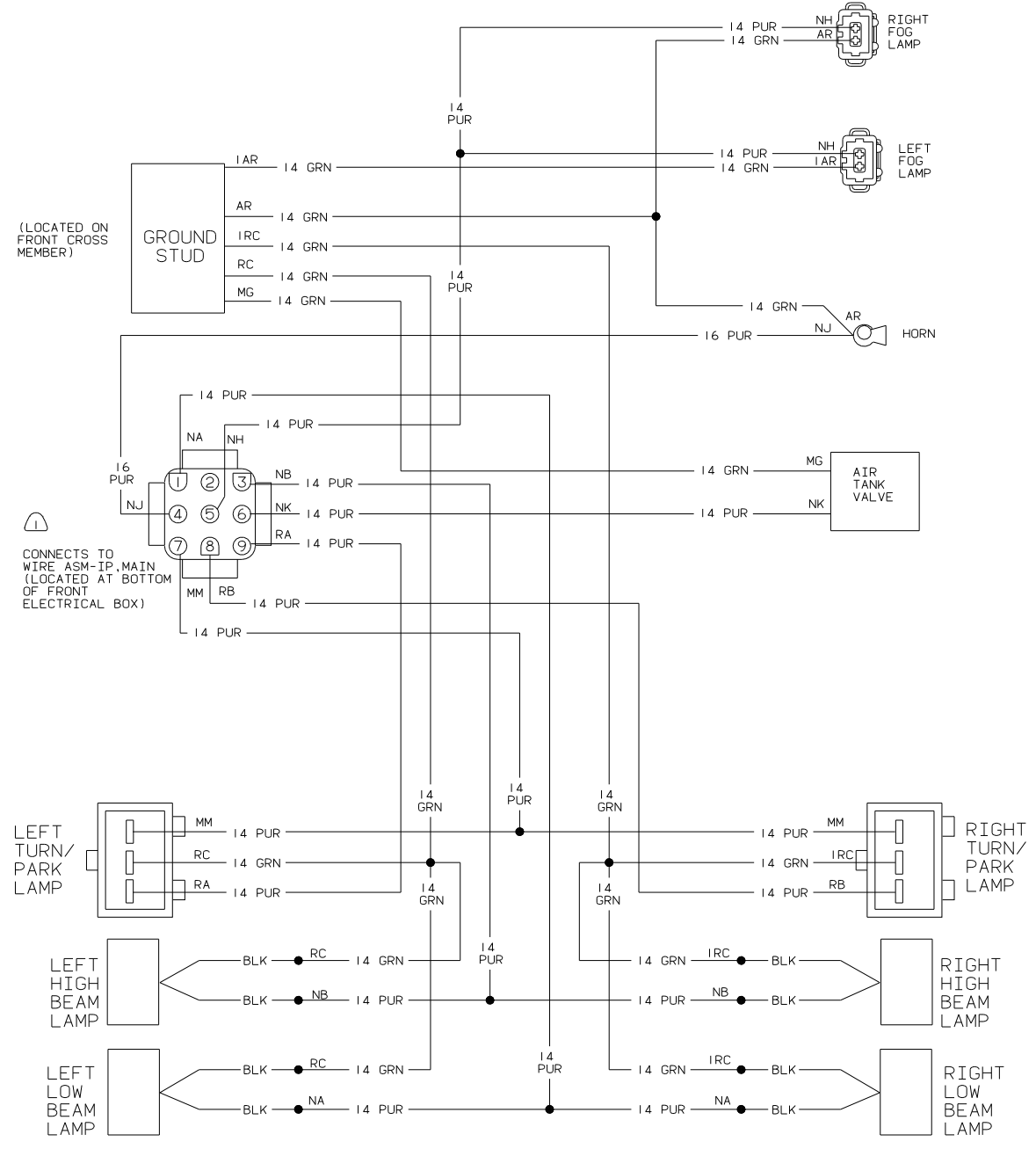
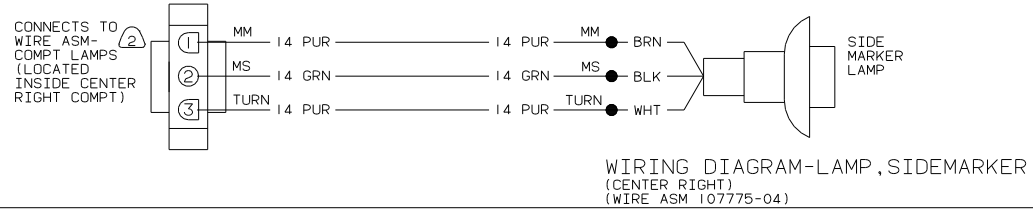
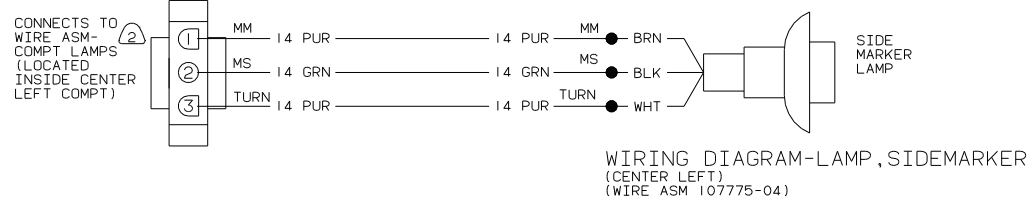
**DANGER**

**Danger of electrical shock, burns or death.** Always remove all power sources before attempting any repair, service or diagnostic work. Power can be present from shore power, generator, inverter or battery. All power sources must be disabled and secured before performing any service.



**CAUTION**

If you lack the skills, tools or equipment to perform diagnostic or repair work leave such work to an authorized Winnebago Industries dealer or other qualified shop.



WIRING DIAGRAM-HEADLAMP  
 (WIRE ASM 130155)

COPYRIGHT 2002 WINNEBAGO INDUSTRIES, INC. **WINNEBAGO** 99 0-SERIES

DATE	DATE	UNSPECIFIED TOLERANCES ARE:	MATERIAL:
DATE	DATE	ANGLE	
DATE	DATE	THIRD ANGLE PROJECTION	

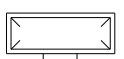
LAYOUT NO. TITLE: WIRING DIAGRAM-AUTO LAMPS

DIA # SCALE: NONE DO NOT SCALE DRAWINGS SHEET NO. 131521

ALL DIMENSIONS ARE IN MILLIMETERS SHEET 1 OF 2 I.E. NO. 07/23/02

② SEE WIRING DIAGRAM-BODY FOR ADDITIONAL INFORMATION.  
 ① SEE WIRING DIAGRAM AUTO FOR ADDITIONAL INFORMATION.

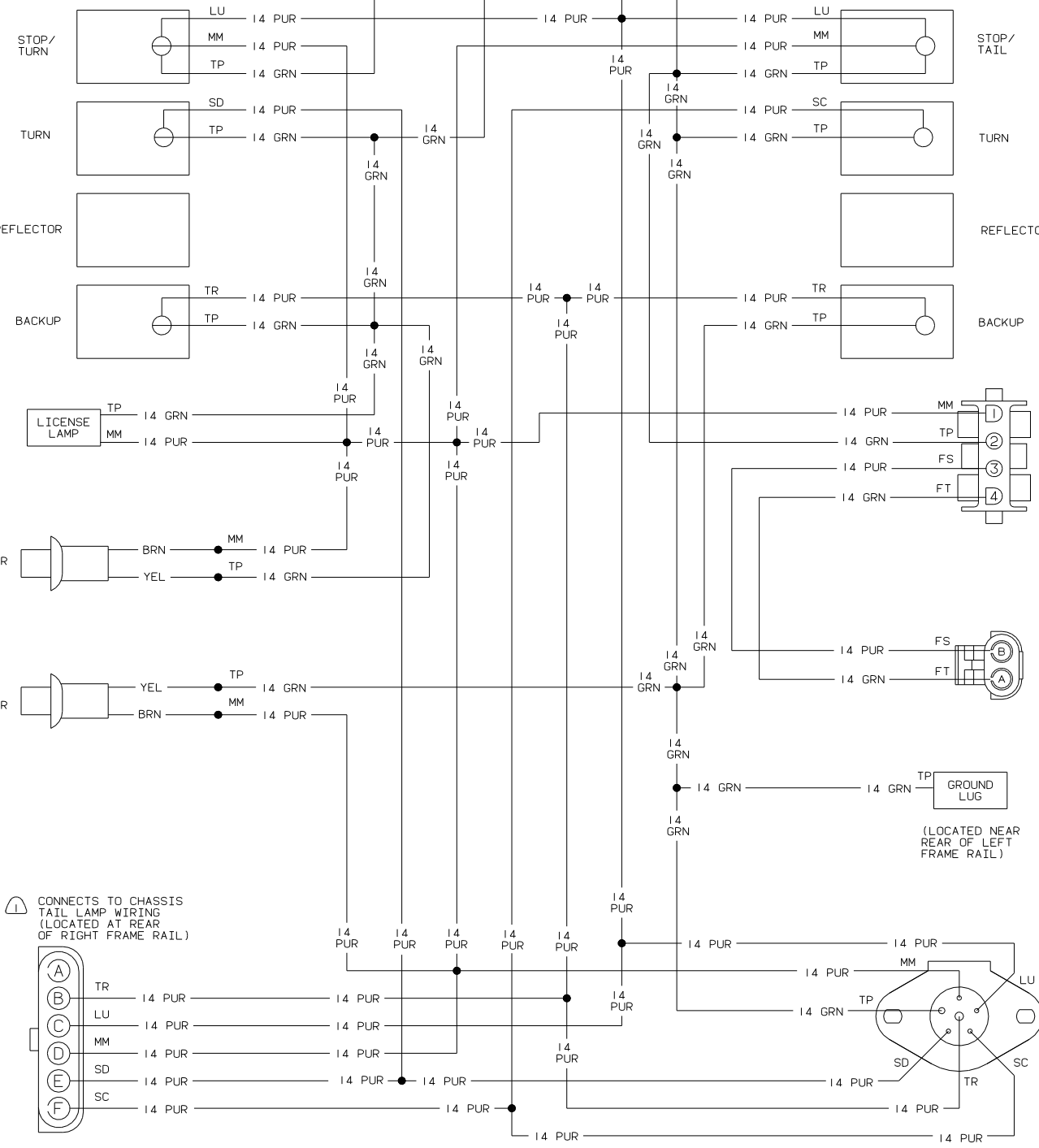
CENTER BRAKE LAMP



BLK RED  
TP LU  
14 GRN 14 PUR

LEFT TAILLAMPS

RIGHT TAILLAMPS

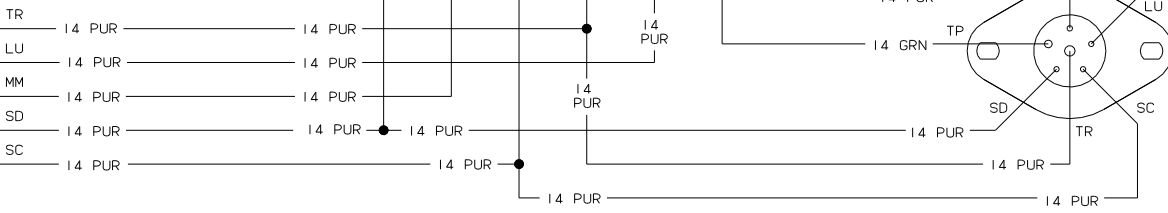
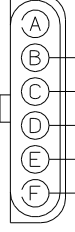


CONNECTS TO WIRE ASM-CLEARANCE LAMPS RR

CONNECTS TO WIRE ASM-CHASSIS

GROUND LUG  
(LOCATED NEAR REAR OF LEFT FRAME RAIL)

CONNECTS TO CHASSIS TAIL LAMP WIRING (LOCATED AT REAR OF RIGHT FRAME RAIL)



WIRING DIAGRAM-BACKWALL (WIRE ASM 129731)

99 Q-SERIES

NOTES: SEE MANUFACTURER'S DIAGRAM FOR ADDITIONAL INFORMATION.

TITLE		WIRING DIAGRAM-AUTO LAMPS	
DD	NOT SCALE DRAWING	SIZE	1/8"
SHEET	2 OF 2	DWG NO	131521
		DATE	07/23/02