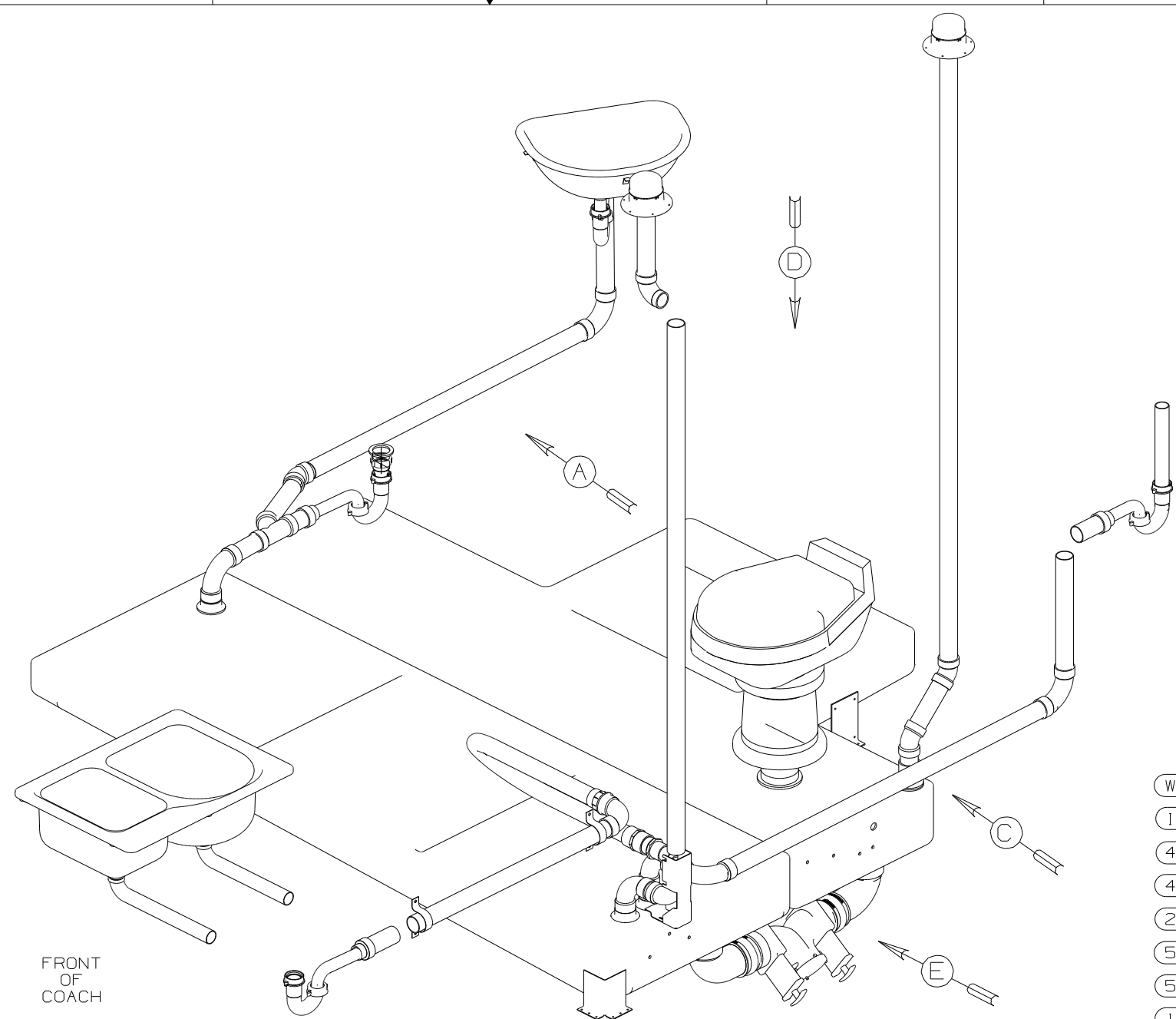


DWG NO	----
141647-01	(WDL)
141647-02	(ITA)

RELEASE	REV DATE	DWG NO	141647
REV ZONE	REVISION RECORD	DATE	DFTR-ORIG



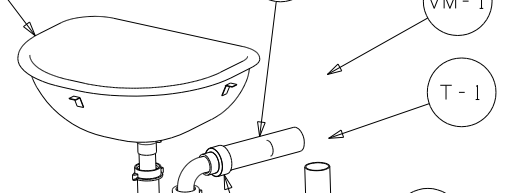
- (WDL) WINNEBAGO DELUXE UPGRADE
- (ITA) ITASCA ONLY
- (43M) TOILET-PORCELAIN, ELONGATE
- (44E) COUNTERTOP-SOL. SURFACE-GALLEY
- (21M) WASHER/DRYER PREP
- (54E) WASHER/DRYER
- (53Q) TOILET-PORCELAIN
- (1B1) CODES/STANDARDS USA
- (265) CODES/STDS-CSA/CMVSS

- NOTES:
1. SLOPE OF HORIZONTAL PIPING TO BE 6 PER 305 mm.
  2. SLOPE OF TRAP ARM MUST BE 6 PER 305.
  3. ALL PIPE AND FITTINGS TO BE ASSEMBLED WITH SOLVENT 4020-01-000.
  4. ALL EXTERIOR OPENINGS AROUND PIPE TO BE SEALED WITH 110744-01-000.
  5. SEE DRAWING 61607-01-000 FOR INSTL OF GROMMETS.
  6. SEAL ALL AROUND SHOWER WITH SILICONE.
  7. SEE DWG 61607-01-000 FOR INSTL OF GROMMETS.
  8. VENT PIPE MUST PROJECT 51 MIN AND 64 MAX. ABOVE ROOF FOR PROPER FIT AND FUNCTION.
  9. SECURE VENT TUBES TO FLOOR WITH BRACKET 136878-01-000 (3), CLAMP 62401-02-000 (3) AND SCREW G67-10-12B (3).
  10. TRIM TO FIT.

(X-X)  
FOR DRAINAGE CALLOUTS SEE DWG NO 116229-01-000

<b>WINNEBAGO</b>		COPYRIGHT 2002 WINNEBAGO INDUSTRIES, INC.	
DFTR	ORIG. DATE	ALL DIMENSIONS ARE IN MILLIMETERS	
CHKR		FIRST USED	
P.E.		03 P36LD	
M.E.		UNSPECIFIED TOLERANCES ARE:	
DSNR		MATERIAL:	
		WHOLE DIM (X)	: 7
		ONE-PLACE (X.X)	: 1.5
		TWO-PLACE (X.XX)	: 0.50
		ANGLE	: 1°
THIRD ANGLE PROJECTION			
DO NOT SCALE DRAWING			
TITLE: DRAINAGE SYSTEM INSTL			
SHEET 1 OF 3	PART NO	141647	

- 44F SINK-LAVATORY  
142285-01-CHT  
TAILPIECE
- WDL 106116-01-CHT  
GASKET
- ITA 141491-01-CHT  
ANGLE
- 106116-02-CHT  
ANGLE
- 131914-06-CHT (6)  
SCREW
- G67-08-10U (6)

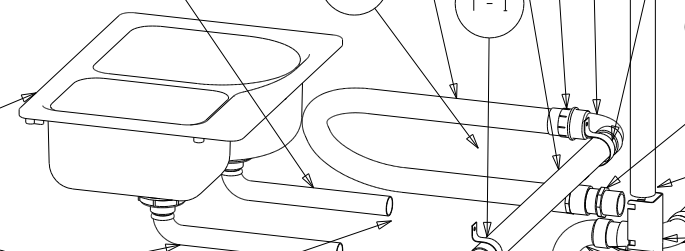


- 1 250 265
- 1 195 1B1
- VM-1
- T-1
- 1 410 WDL
- 1 350 ITA
- 1 1040
- A-8 1B1
- P-3 265
- P-2 1B1

- SHOWER INSTL  
142018-03-000  
STRAINER  
066440-01-000  
SEALER  
69640-01-000  
NUT  
130403-01-000  
TAIL PIECE  
11069-06-000  
WASHER  
127440-02-CHT

VIEW A

- SINK - GALLEY, DBL  
134851-01-CHT (US/CAN)  
STRAINER  
92303-01-000 (2)  
SEAL  
91255-02-000 (A/R)  
ANGLE-FORMED  
140002-01-CHT (10)  
SCREW  
G67-06-10U (8)  
WASHER-RUBBER  
127440-02-CHT (2)



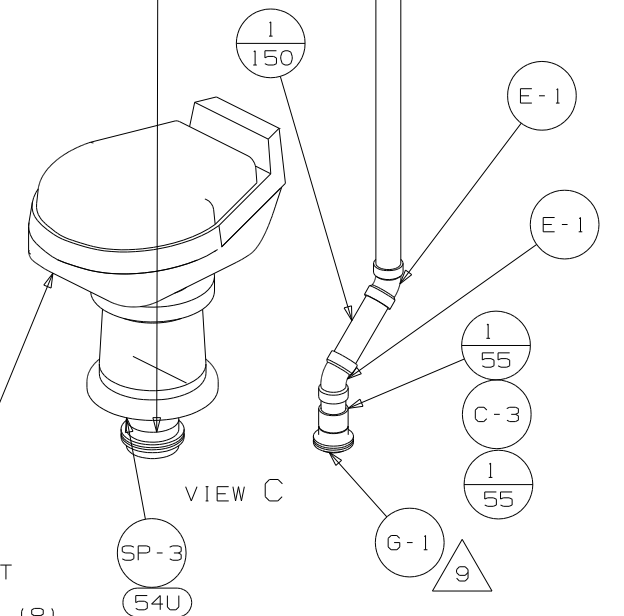
- P-7 10
- VM-1
- T-1
- A-9
- A-11
- 1 755
- E-6
- A-12
- A-14
- 1 365
- 1 80 1B1
- E-6
- 1 1260
- BRACKET  
134703-01-CHT
- 1 65
- E-6
- E-3
- W-2
- 1B1 P-2
- A-8 1B1
- G-1
- G-1
- C-3
- 1 55
- E-6
- E-16
- E-16
- 1B1 P-2
- A-8 1B1
- G-1
- G-1
- C-3
- 1 35
- 1 55
- 1B1 1 120
- 1 55
- 265 1 200

VIEW B

- CLAMP  
62401-05-000  
BRACKET-PIPE, VENT  
136878-01-CHT

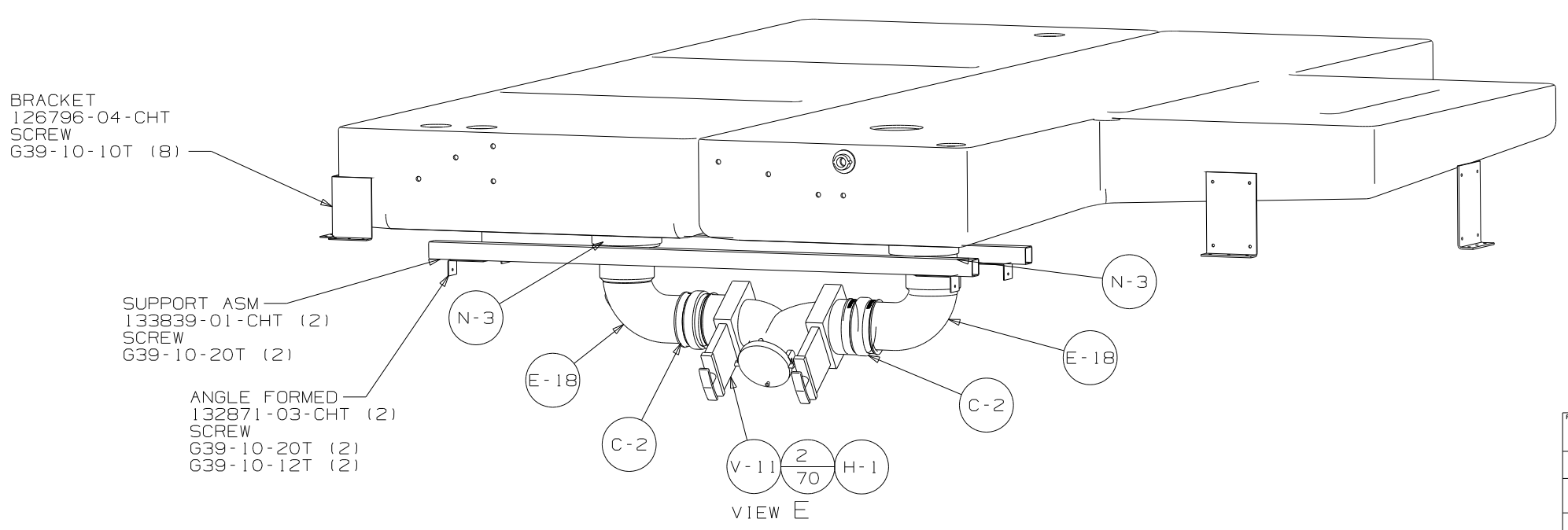
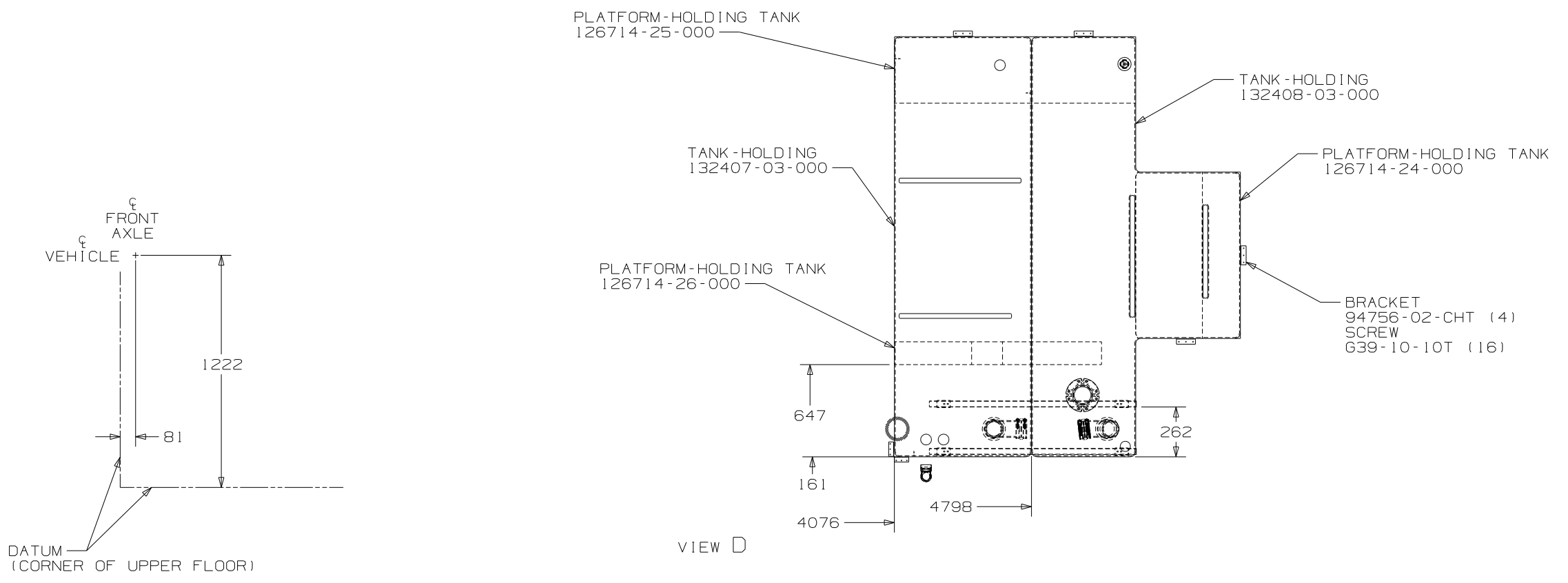
- PIPE STAND  
130234-01-000

- TOILET  
132389-01-CHT
- SCREW  
87721-01-000 (8)
- TOILET  
136729-01-CHT
- SCREW  
87721-01-000 (8)

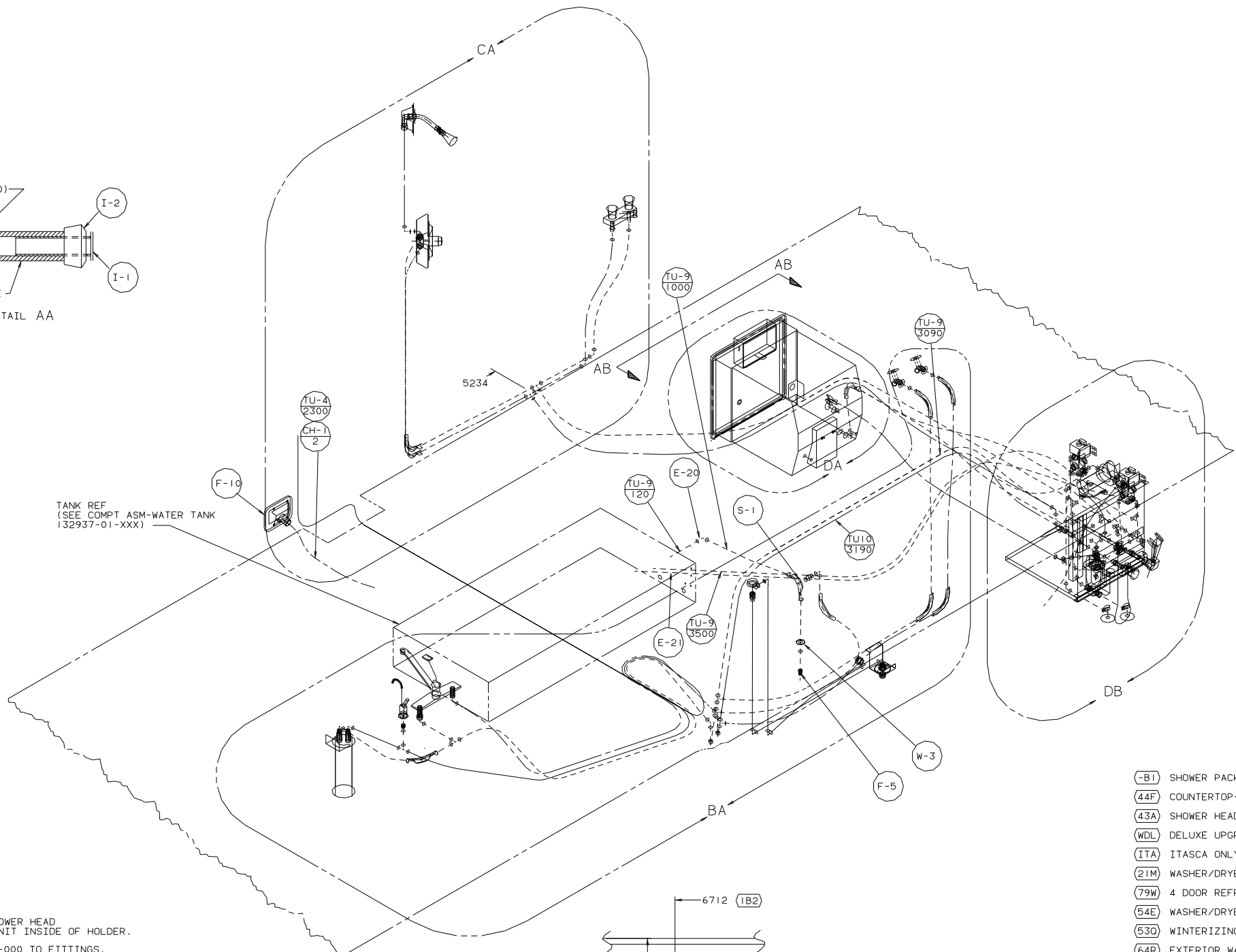
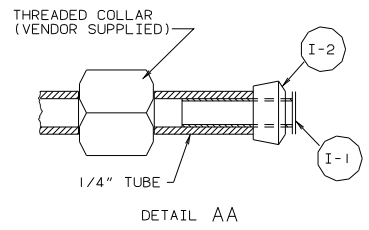


VIEW C

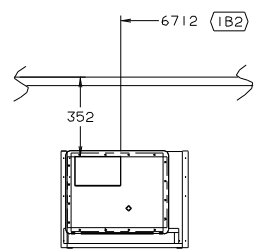
FIRST USED	03 P36LD
TITLE	DO NOT SCALE DRAWING
TITLE	DRAINAGE SYSTEM INSTL
SHEET 2	PART NO 141647



FIRST USED	03 P36LD
DO NOT SCALE DRAWING	
TITLE	DRAINAGE SYSTEM INSTL
SHEET 3	PART NO 141647



- NOTES:
1. PLASTIC FITTINGS TO BE SEALED WITH SEALANT 84456-01-000.
  2. TUBING TO BE INSTALLED WITH SUFFICIENT SLOPE TO PROVIDE DRAINAGE TO NEAREST VALVE.
  3. ALL TUBING TO BE SECURED AT 1200 INTERVALS MAXIMUM WITH CLAMP 10495-01-000 OR CLIP 9151-01-000 AND SCREW G67-10-12B.
  4. USE DETAIL "AA" IN THIS AREA.
  5. CLAMPS MUST BE ON BARBS.
  6. FLUSHING SYSTEM REQUIRES 125697-06-000 INSTRUCTION SHEET.
  7. WRAP WITH TEFLON TAPE 10405-01-000 MINIMUM THREE WRAPS.
  8. WRAP WITH TEFLON TAPE 10405-02-000 TO FITTINGS.
  9. WRAP WITH TEFLON TAPE 10405-03-000 TO FITTINGS.
  10. APPLY DECAL INSIDE OF UPPER SHOWER HEAD HOLDER TO RETAIN HAND SHOWER UNIT INSIDE OF HOLDER.



LEGEND	
HOT	----
COLD	-----

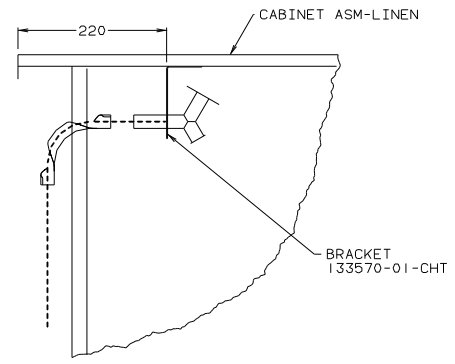
X-X  
 FOR WATER CALLOUTS SEE DWG NO. 116230-01-000

- (B1) SHOWER PACKAGE
- (44F) COUNTERTOP-SOL. SURFACE-BATH
- (43A) SHOWER HEAD-FIXED
- (WDL) DELUXE UPGRADE
- (ITA) ITASCA ONLY
- (2IM) WASHER/DRYER PREP
- (79W) 4 DOOR REFRIGERATOR W/ICEMAKER
- (54E) WASHER/DRYER
- (530) WINTERIZING KIT
- (64R) EXTERIOR WASH STATION
- (53J) WATER HEATER BY-PASS-VALVE
- (IB2) WTR HTR-10GAL/ELEC/LP/MTRAITD
- (29B) WATER PURIFIER
- (15U) REFRIGERATOR/FRZR W/ICEMAKER

COPYRIGHT 2002 WINNEBAGO INDUSTRIES, INC. **WINNEBAGO** 03 P36LD

DFTR	DATE	UNSPECIFIED TOLERANCES ARE:	MATERIAL:
CHR	DATE	ANGLE DIM (X.X)	
P E	DATE	ONE-PLACE (X.X)	
M E	DATE	TWO-PLACE (X.XX)	
DNR	DATE	THIRD ANGLE PROJECTION	

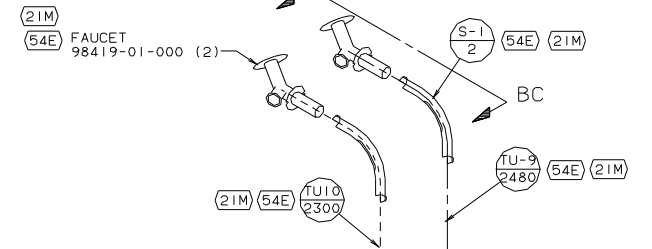
LAYOUT NO P36LD TITLE: WATER SYSTEM INSTL  
 DIA # SCALE: NONE DO NOT SCALE DIMENSIONS SIZE OF 4 I E DWG NO 141646  
 ALL DIMENSIONS ARE IN MILLIMETERS SHEET 1 OF 4 REF: 138415 07/09/02



VIEW BC-BC

CHECK VALVE 125697-03-000

6 BREAKER-VACUUM 125697-04-000 (MUST BE MOUNTED ABOVE TOILET FLOOD LEVEL)



TO REFRIGERATOR

TO WATER CENTER

FAUCET-GALLEY, SGL CONTROL 123744-03-CHT  
SPACER-FAUCET 139295-01-CHT

(29B) FAUCET 103635-01-000

(29B) C-6 (4)  
(29B) E-26 (4)

E-23 (29B)

TU-5 325 (29B)

TU10 2950

TU-9 3085

FILTER (29B) 87200-01-000  
CARTRIDGE 87200-02-000  
SCREW G67-10-12U(2)

TU-5 250 (29B)

TU-9 250 (29B)

TU-5 75 (15U) (79W)

T-24 (15U) (79W)

TU-5 100 (15U) (79W)

V-15 (15U) (79W)

TU-5 7000 (4) (15U) (79W)

BB

BRACKET-SUPPORT 142093-01-CHT

INLET-WATER 125697-05-000 (8)

(2IM) E-20

TU-9 625 (E-20)

TU10 625 (E-20)

TU-9 50 (2IM) (54E)

T-20 (2IM) (54E)

E-20

T-20

TU-9 200 (54E) (2IM)

TU-9 200 (2IM)

S-1

TO WASHER

TO TOILET

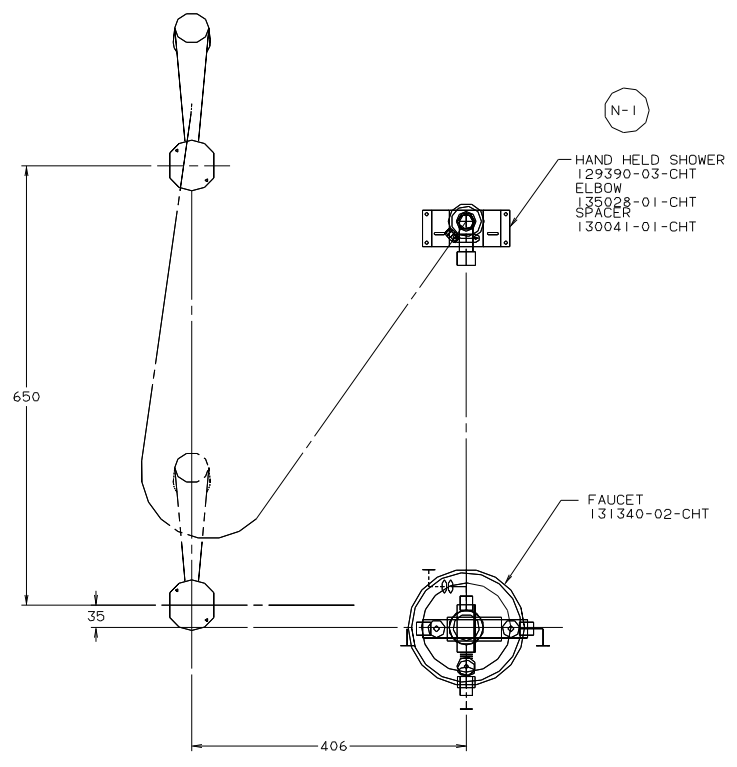
TO WASHER

DETAIL BA

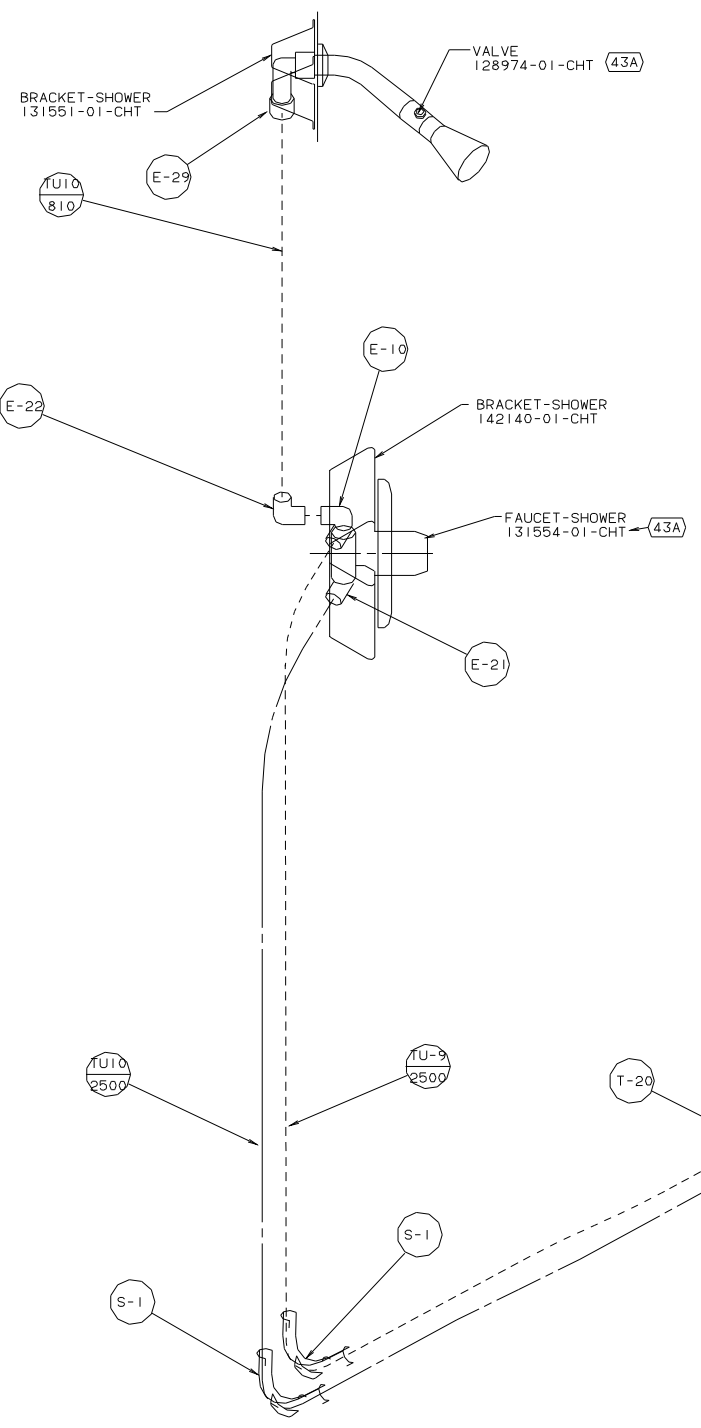
DETAIL BB

03 P36LD

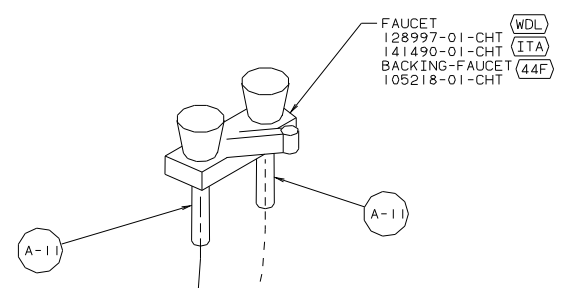
TITLE: WATER SYSTEM INSTL	
DO NOT SCALE DRAWING	SIZE: 11x17
SHEET 2 OF 4	DWG NO 141646
07/09/02	

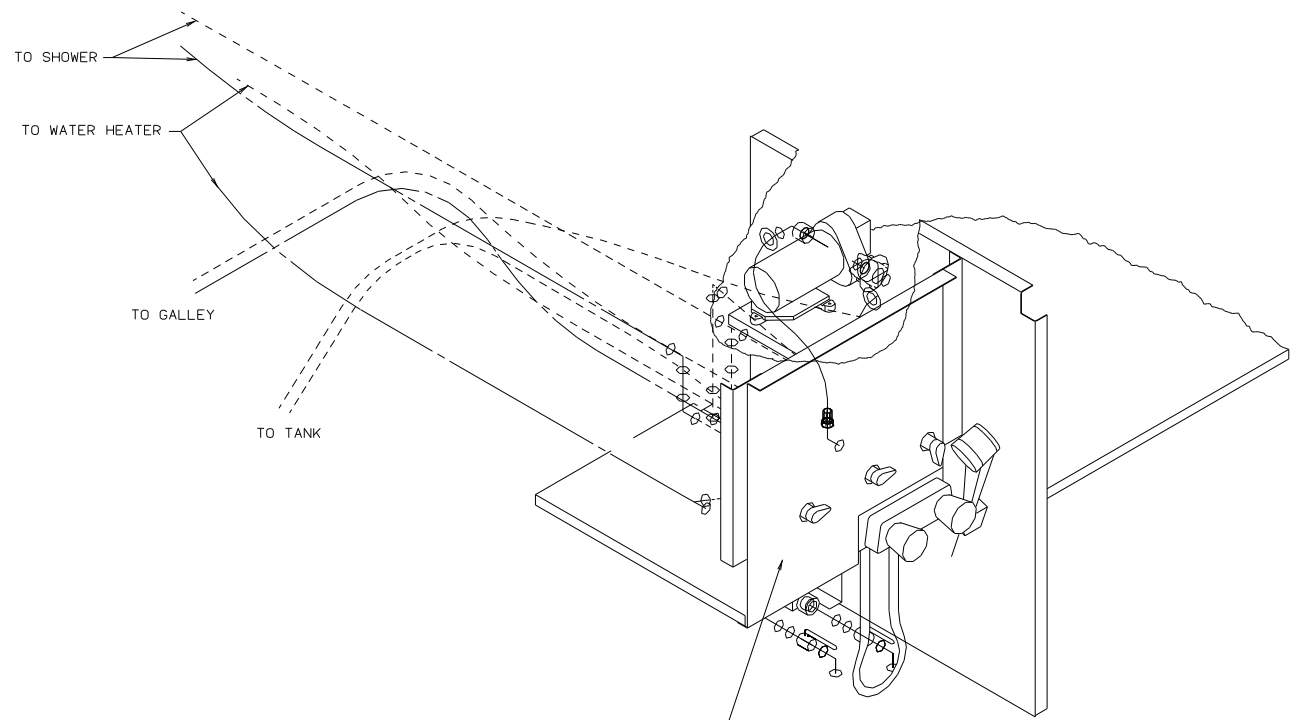


DETAIL FOR (43H)  
(9B1)



DETAIL CA





PANEL ASM-WATER CENTER  
141809-01-XXX

DETAIL DB