

- NOTES:
1. SLOPE OF HORIZONTAL PIPING TO BE 6 PER 305 MM.
  2. SLOPE OF TRAP ARM MUST BE 6 PER 305 MM.
  3. ALL PIPE AND FITTINGS TO BE ASSEMBLED WITH SOLVENT 4020-01-000.
  4. ALL EXTERIOR OPENINGS AROUND PIPE TO BE SEALED WITH 110744-01-000.
  5. SEAL AROUND SHOWER WITH SILICONE.
  6. TRIM P-TRAP EXTENSION TO FIT.
  7. FASTEN TO BOTTOM OF UPPER FLOOR.
  8. VENT PIPE MUST PROJECT 51 MIN AND 63.5 MAX ABOVE ROOF FOR PROPER FIT AND FUNCTION.
  9. SECURE PIPES TO CABINET USING WIRE TIE 108046-02-000 AND SCREW G67-10-12B.
  10. SEE DRAWING 61607-01-000 FOR INSTL OF GROMMETS.
  11. TOILET TO BE TURNED 45° FROM SIDEWALL.

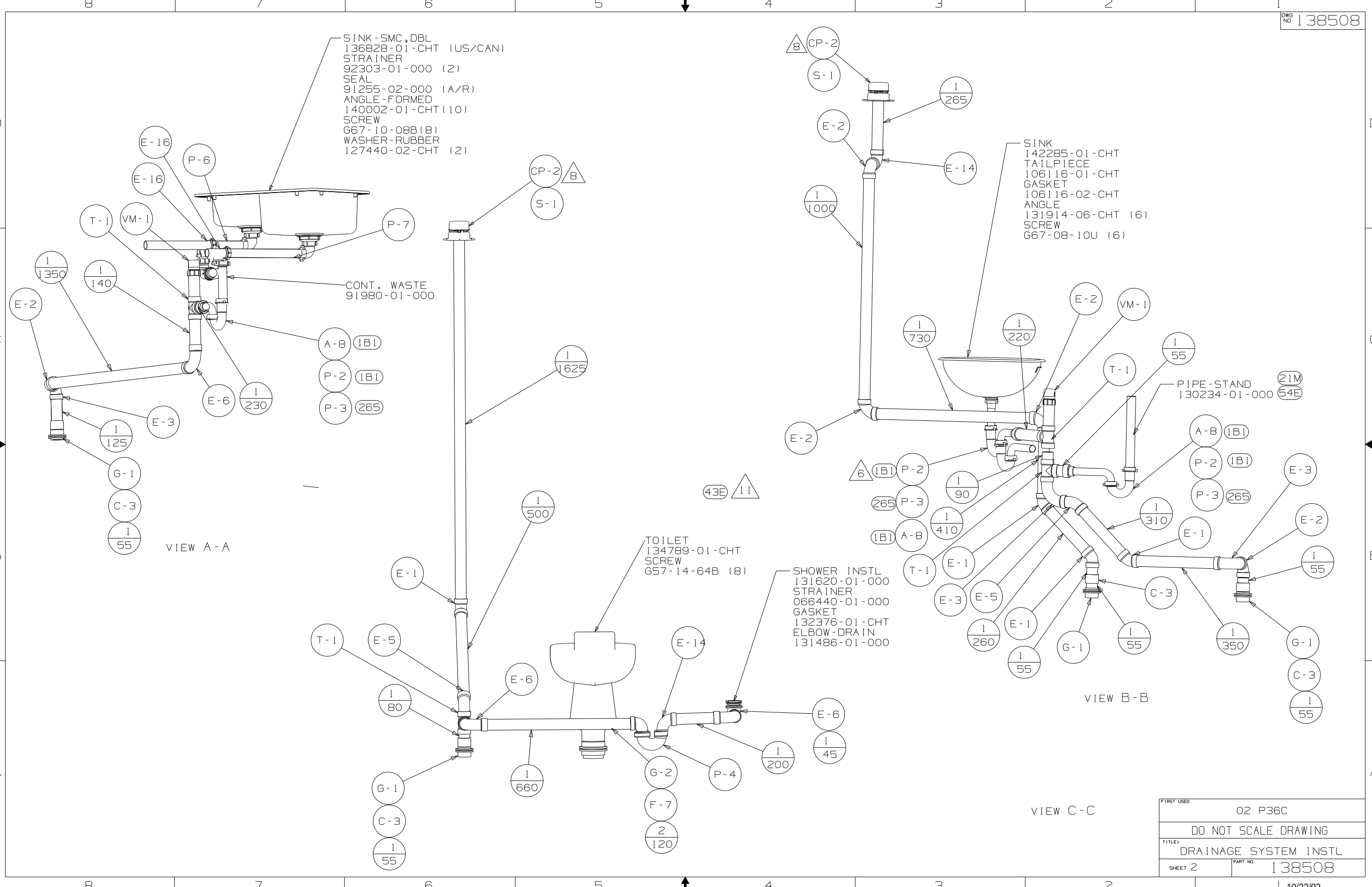
- (54E) WASHER/DRYER
- (21M) WASHER/DRYER PREP
- (43E) TOILET PORCELAIN-ROUND
- (265) CODES/STDS-CSA/CMVSS
- (1B1) CODES/STANDARDS-USA

<b>WINNEBAGO</b>		COPYRIGHT 2002 WINNEBAGO INDUSTRIES, INC.	
DFT	ORIG. DATE	ALL DIMENSIONS ARE IN MILLIMETERS	
CHKR		MATERIAL:	
P.E.		UNSPECIFIED TOLERANCES ARE:	
M.E.		WHOLE DIM (X)	: 7
DSNR		ONE-PLACE (X.X)	:
		TWO-PLACE (X.XX)	:
		ANGLE	:
		THIRD ANGLE PROJECTION	
DO NOT SCALE DRAWING			
TITLE: DRAINAGE SYSTEM INSTL			
SHEET 1 OF 3	PART NO	138508	
REF: 135476 1 10/22/02			

(X-X)  
FOR  
DRAINAGE  
CALLOUTS  
SEE DWG NO  
116229-01-000

DETAIL D

FRONT OF  
VEHICLE



SINK-SMC, DBL  
 136828-01-CHT (US/CAN)  
 STRAINER  
 92303-01-000 (2)  
 SEAL  
 91255-02-000 (A/R)  
 ANGLE-FORMED  
 140002-01-CHT (10)  
 SCREW  
 G67-10-08B (8)  
 WASHER-RUBBER  
 127440-02-CHT (2)

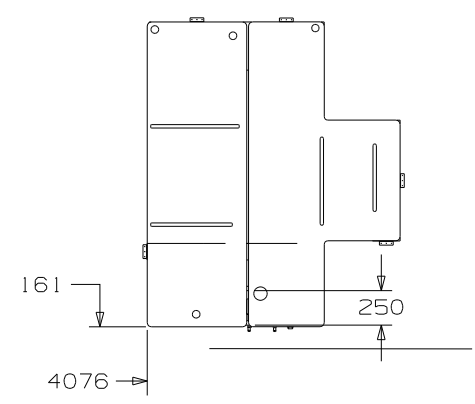
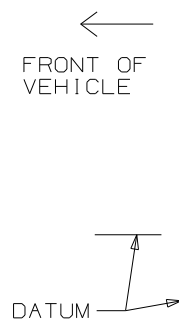
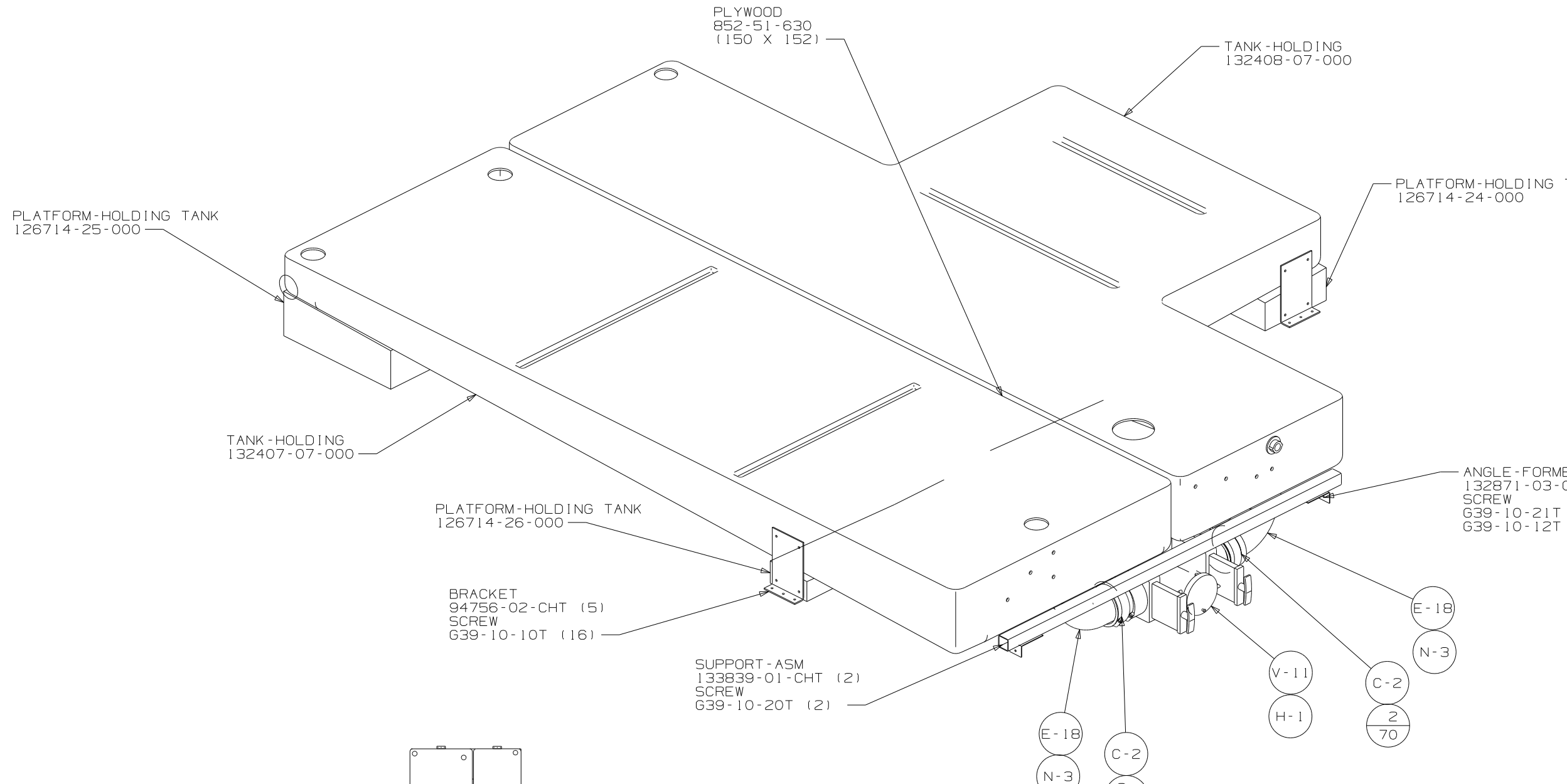
SINK  
 142285-01-CHT  
 TAILPIECE  
 106116-01-CHT  
 GASKET  
 106116-02-CHT  
 ANGLE  
 131914-06-CHT (6)  
 SCREW  
 G67-08-10U (6)

CONT. WASTE  
 91980-01-000

TOILET  
 134789-01-CHT  
 SCREW  
 G57-14-64B (8)

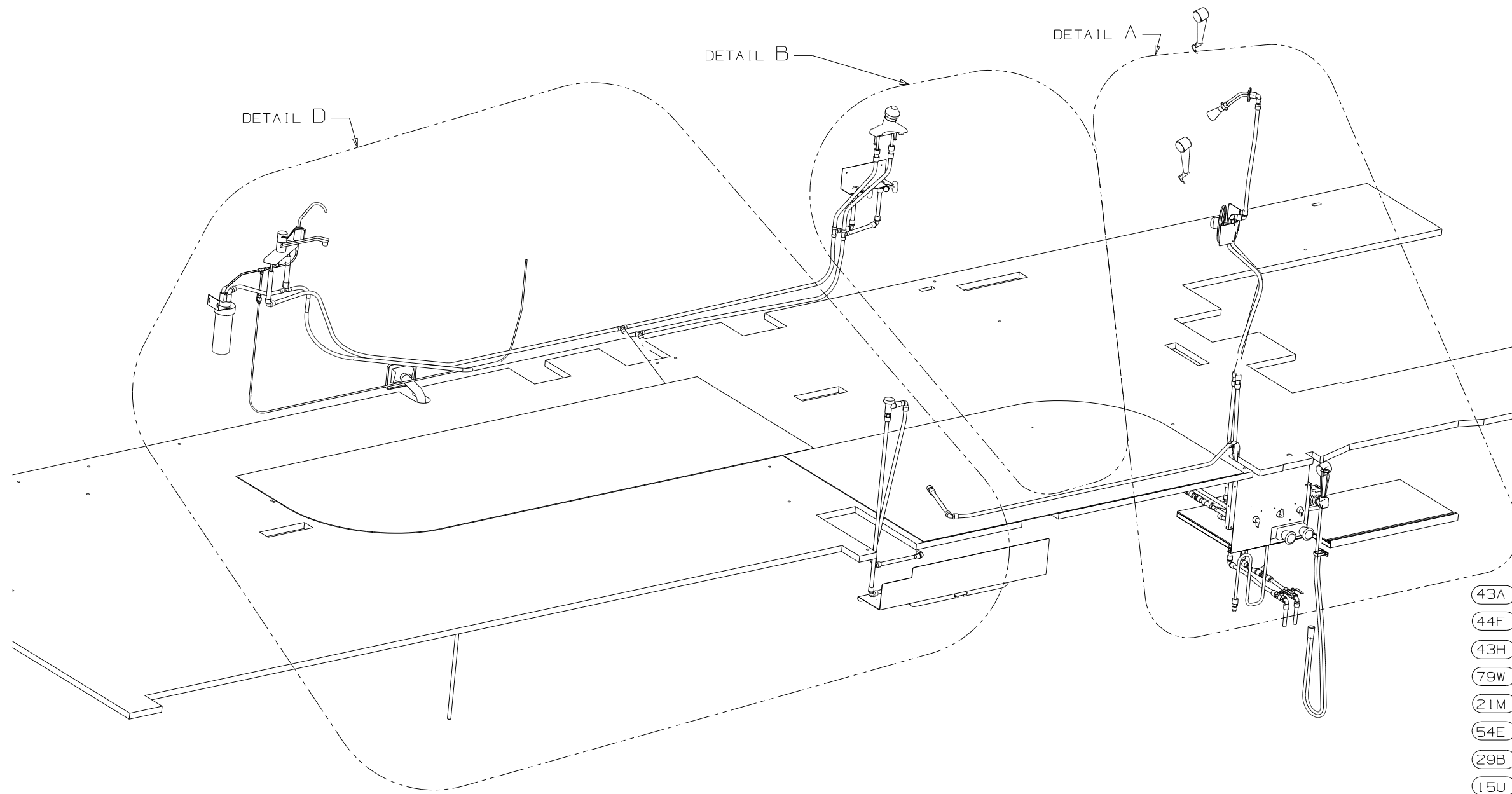
SHOWER INSTL  
 131620-01-000  
 STRAINER  
 066440-01-000  
 GASKET  
 132376-01-CHT  
 ELBOW-DRAIN  
 131486-01-000

FIRST USED	02 P36C
DO NOT SCALE DRAWING	
TITLE	DRAINAGE SYSTEM INSTL
SHEET 2	PART NO 138508



DETAIL D

FIRST USED	02 P36C
TITLE	DO NOT SCALE DRAWING
	DRAINAGE SYSTEM INSTL
SHEET 3	PART NO 138508



- (43A) SHOWER HEAD FIXED
- (44F) BATH COUNTERTOP SOLID SURFACE
- (43H) SHOWER HEAD-HAND HELD
- (79W) 4-DOOR REFRIG
- (21M) WASHER/DRYER PREP
- (54E) WASHER DRYER
- (29B) WATER PURIFIER
- (15U) REFRIGERATOR/FRZR W/ICEMAKER

- 8. APPLY DECAL INSIDE OF UPPER SHOWER HEAD HOLDER TO RETAIN HAND SHOWER UNIT INSIDE OF HOLDER.
- 7. ADD TEFLON TAPE 10405-01-000 TO FITTING.
- 6. ADD TEFLON TAPE 10405-03-000 TO FITTING.
- 5. ADD TEFLON TAPE 10405-02-000 TO FITTING.
- 4. FLUSHING SYSTEM REQUIRES 125697-06-000 INSTRUCTION SHEET.
- 3. ALL TUBING TO BE SECURED AT 1200 INTERVALS MAXIMUM WITH CLAMP 10495-01-000 OR CLIP 9151-01-000 AND SCREW G67-10-12B.
- 2. TUBING TO BE INSTALLED WITH SUFFICIENT SLOPE TO PROVIDE DRAINAGE TO NEAREST VALVE.
- 1. PLASTIC FITTINGS TO BE SEALED WITH SEALANT 84456-01-000

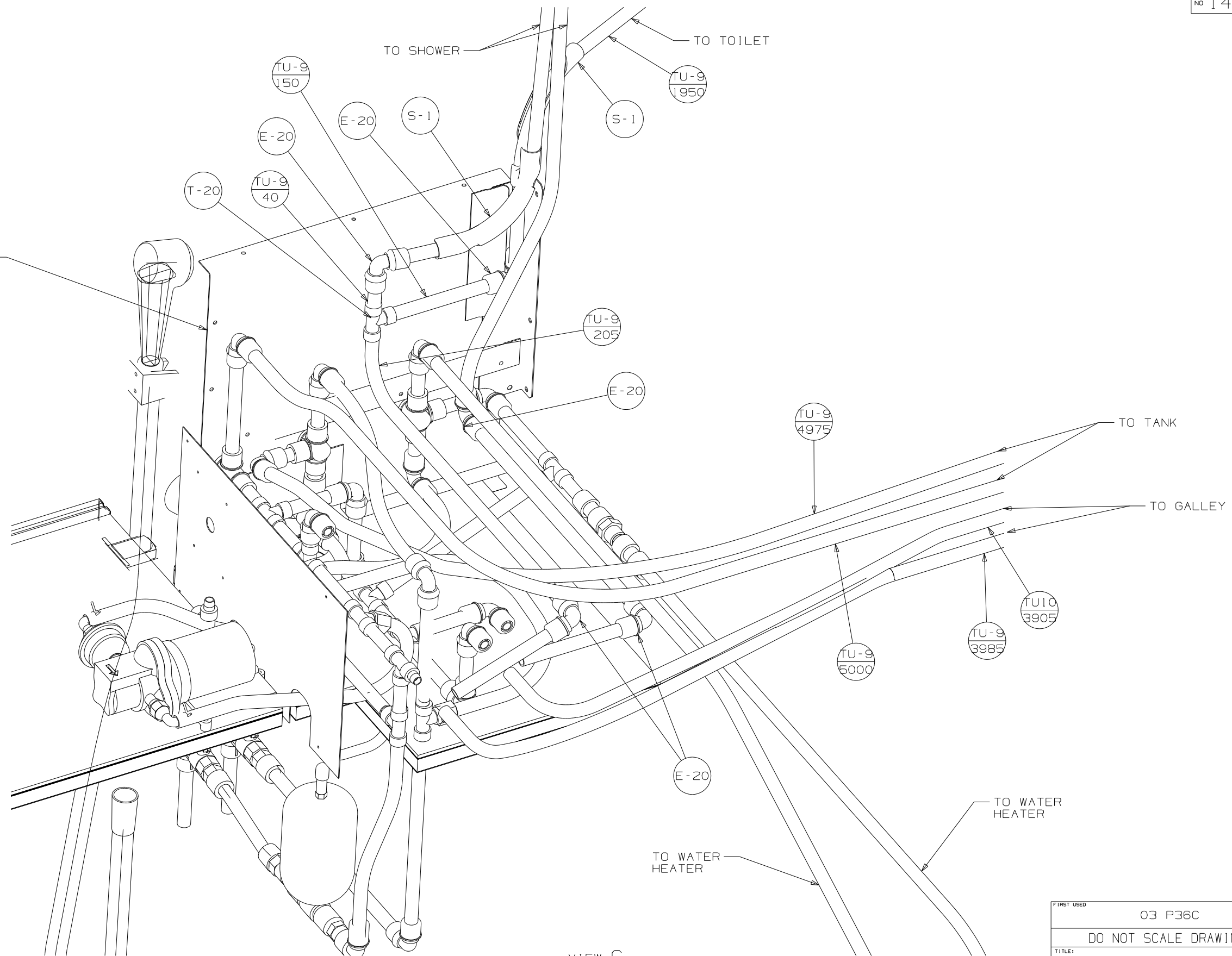
NOTES:

<b>WINNEBAGO</b>		COPYRIGHT 2002 WINNEBAGO INDUSTRIES, INC.	
DFTR	ORIG. DATE	ALL DIMENSIONS ARE IN MILLIMETERS	
CHKR		FIRST USED	
P.E.		03 P36C	
M.E.		UNSPECIFIED TOLERANCES ARE:	
DSNR		MATERIAL:	
		WHOLE DIM (X) :	7
		ONE-PLACE (X.X) :	
		TWO-PLACE (X.XX) :	
		ANGLE :	
THIRD ANGLE PROJECTION		DO NOT SCALE DRAWING	
TITLE: WATER SYSTEM INSTL			
SHEET 1 OF 4		PART NO 141738	

X-X  
FOR  
WATER  
CALLOUTS  
SEE DWG NO.  
116230-01-000



PANEL ASM-WATER CENTER  
141809-01-XXX



VIEW C

FIRST USED	03 P36C
TITLE	DO NOT SCALE DRAWING
SHEET 3	PART NO 141738

