



DANGER

Danger of electrical shock, burns or death. Always remove all power sources before attempting any repair, service or diagnostic work. Power can be present from shore power, generator, inverter or battery. All power sources must be disabled and secured before performing any service.



CAUTION

If you lack the skills, tools or equipment to perform diagnostic or repair work leave such work to an authorized Winnebago Industries dealer or other qualified shop.

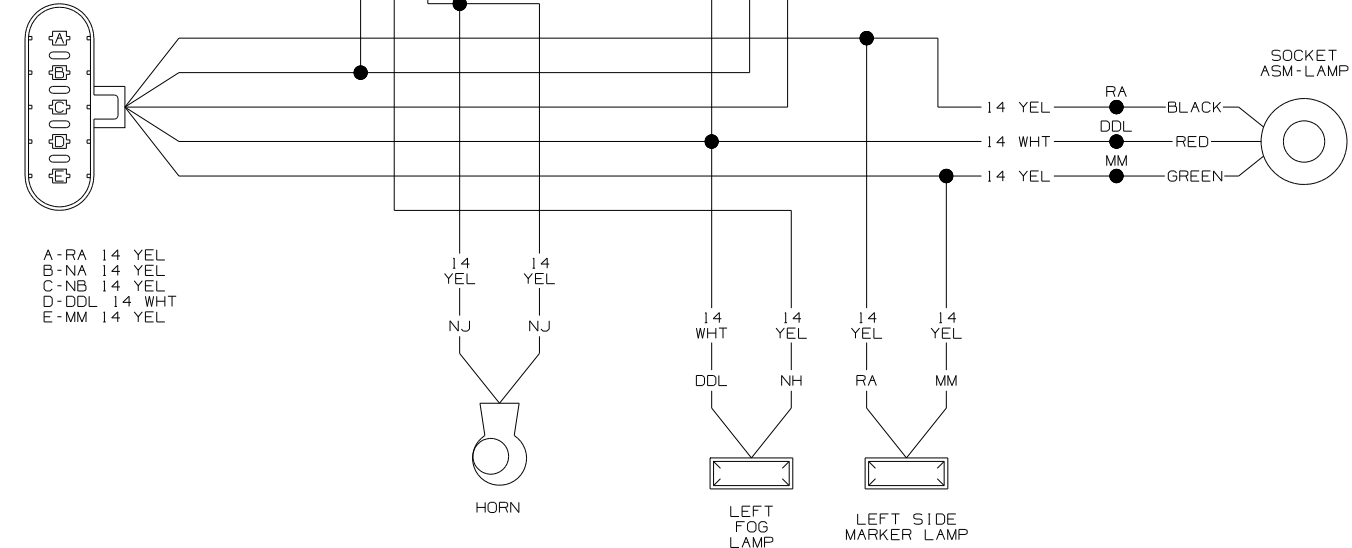
WIRE ASM-IP MAIN
(LOCATED BELOW FRONT ELECTRICAL BOX)

A-NA 14 YEL
B-NH 14 YEL
C-NJ 14 YEL

LEFT HEADLAMP

DDL NA NB
14 WHT 14 YEL 14 YEL

FREIGHTLINER CHASSIS WIRE ASM



A-RA 14 YEL
B-NA 14 YEL
C-NB 14 YEL
D-DDL 14 WHT
E-MM 14 YEL

HORN

LEFT FOG LAMP

LEFT SIDE MARKER LAMP

WIRING DIAGRAM-HEADLAMP, LEFT
(WIRE-ASM 132789-03)

SEE WIRING DIAGRAM-AUTO FOR ADDITIONAL INFORMATION.
NOTES:

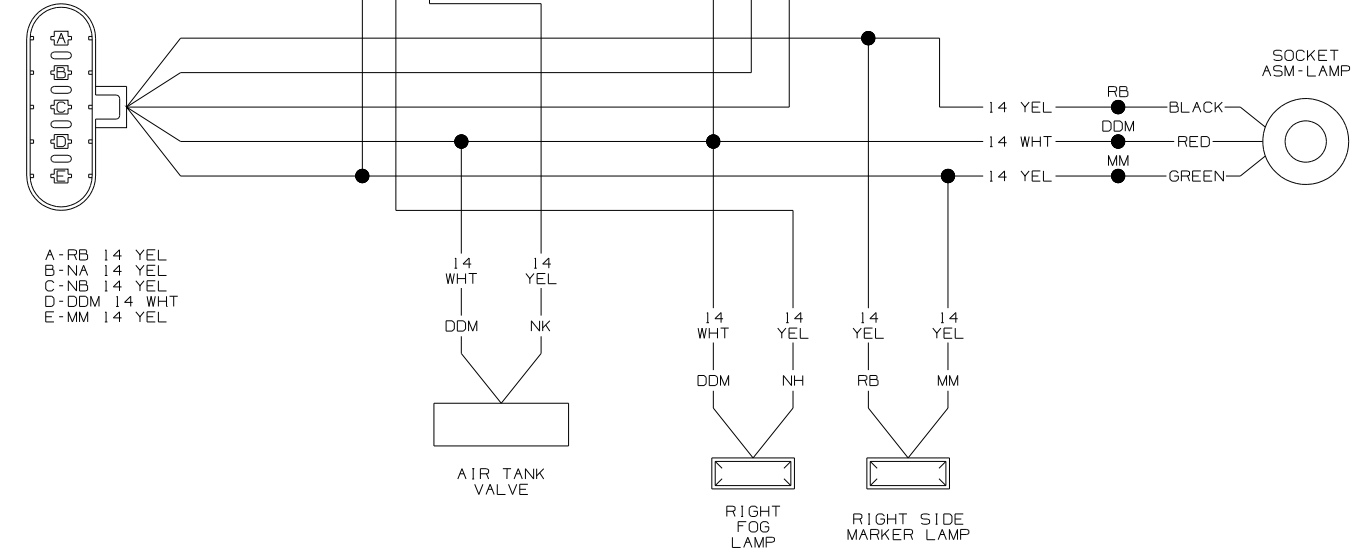
WIRE ASM-IP MAIN
(LOCATED BELOW FRONT ELECTRICAL BOX)

A-MM 14 YEL
B-NH 14 YEL
C-NK 14 YEL

RIGHT HEADLAMP

DDM NA NB
14 WHT 14 YEL 14 YEL

FREIGHTLINER CHASSIS WIRE ASM



A-RB 14 YEL
B-NA 14 YEL
C-NB 14 YEL
D-DDM 14 WHT
E-MM 14 YEL

AIR TANK VALVE

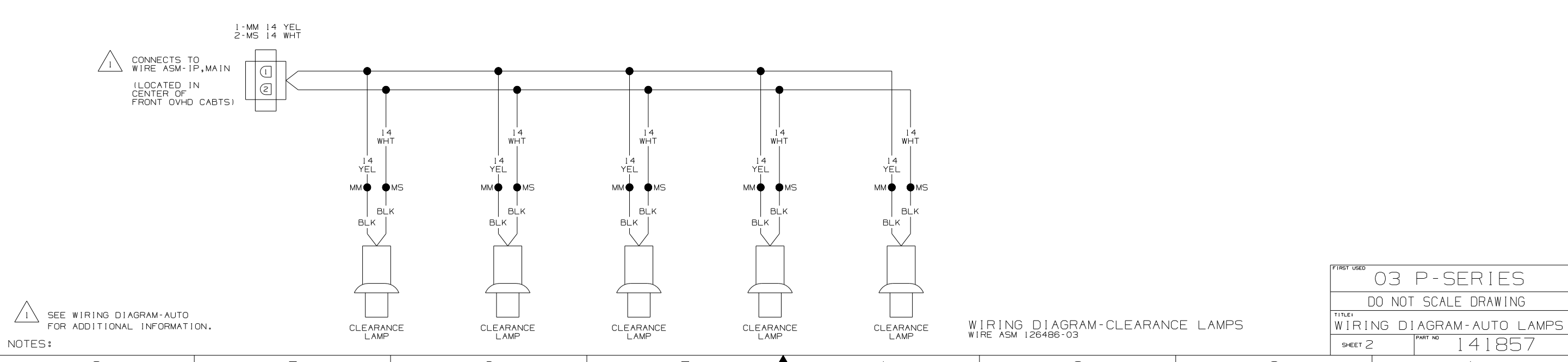
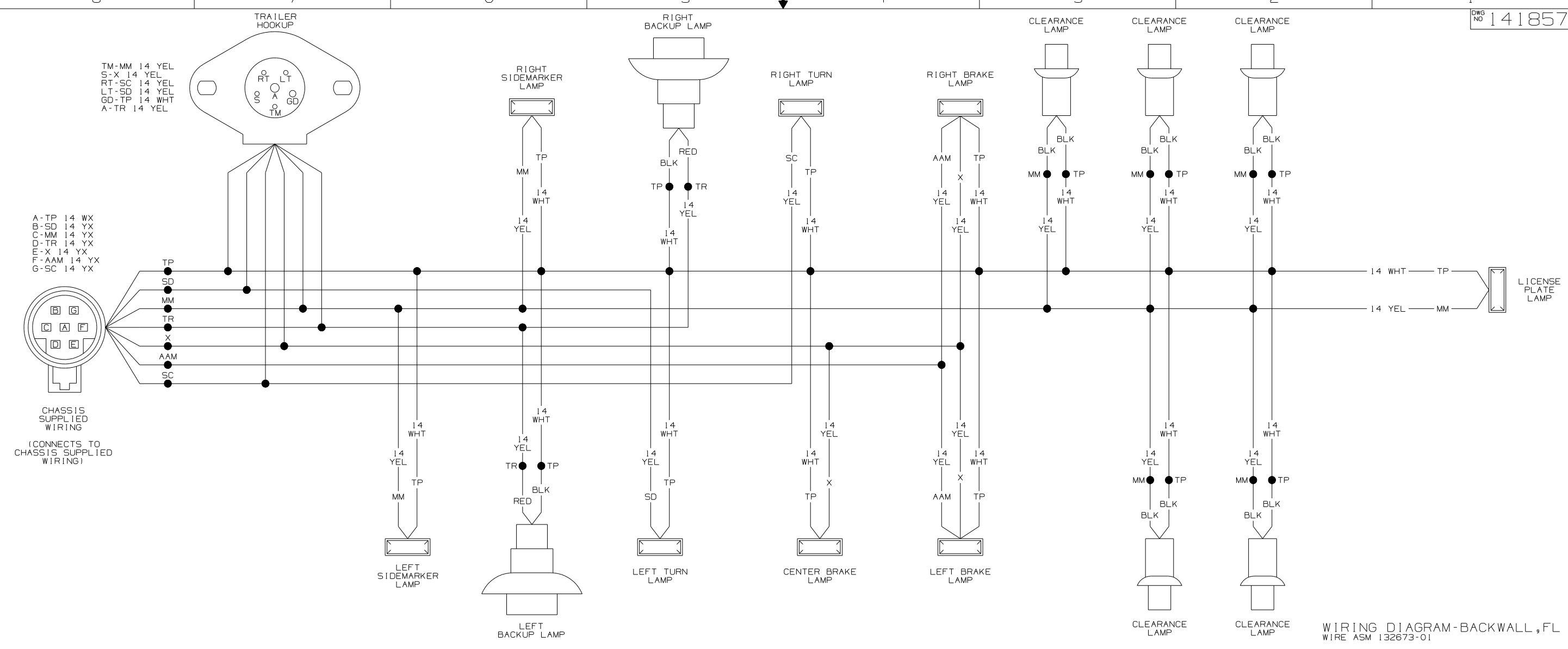
RIGHT FOG LAMP

RIGHT SIDE MARKER LAMP

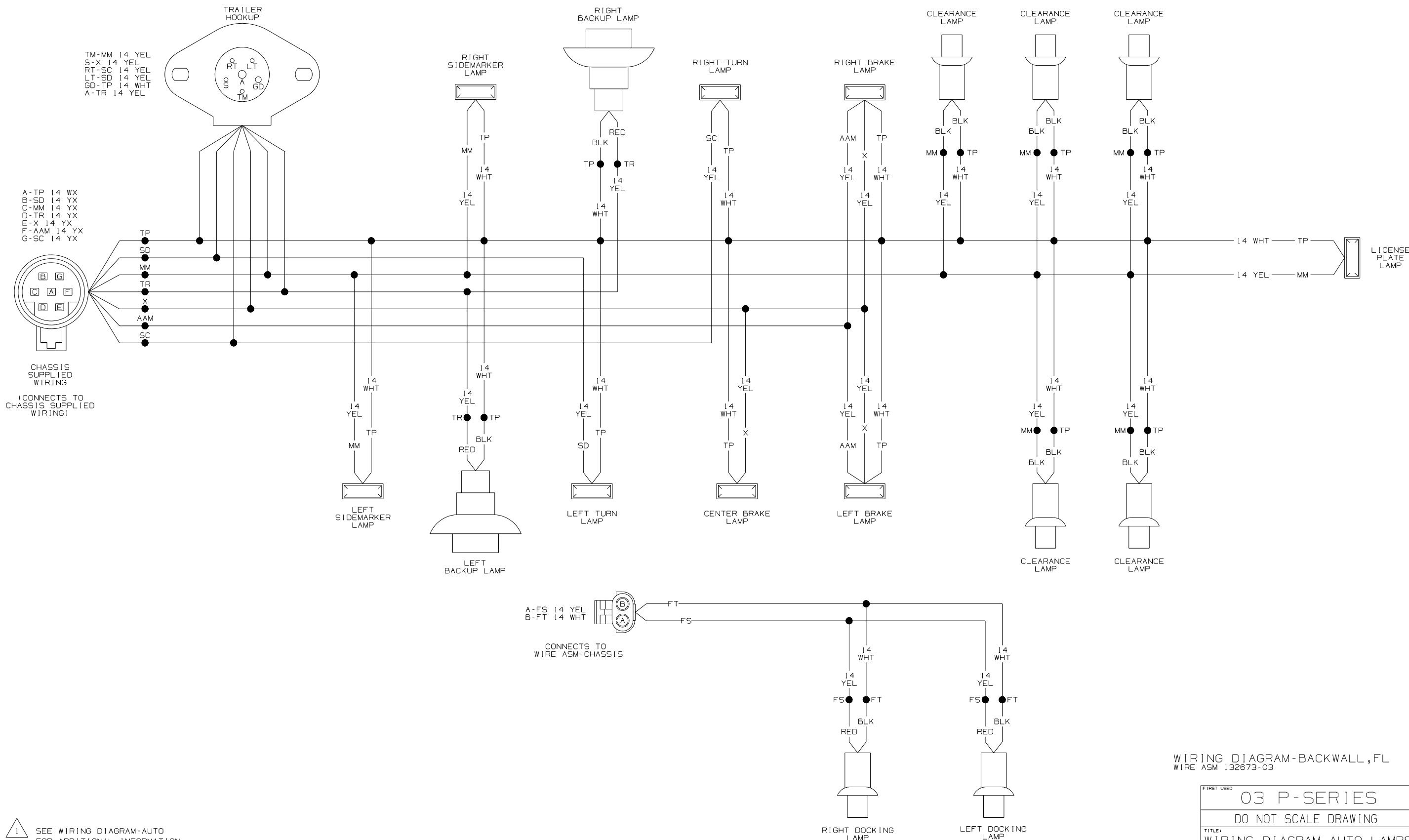
WIRING DIAGRAM-HEADLAMP, RIGHT
(WIRE-ASM 132789-04)

WINNEBAGO.

DFTR	ORIG. DATE
CHKR	ALL DIMENSIONS ARE IN MILLIMETERS
P.E.	
M.E.	FIRST USED
DSNR	03 P-SERIES
UNSPECIFIED TOLERANCES ARE:	MATERIAL:
HOLE DIM (X) :	
ONE-PLACE (X.X) :	
TWO-PLACE (X.XX) :	
ANGLE :	
THIRD ANGLE PROJECTION	
DO NOT SCALE DRAWING	
TITLE: WIRING DIAGRAM-AUTO LAMPS	
SHEET 1 of 3	PART NO 141857



FIRST USED	03 P-SERIES
TITLE	DO NOT SCALE DRAWING
TITLE	WIRING DIAGRAM-AUTO LAMPS
SHEET 2	PART NO 141857



- A-TP 14 WX
- B-SD 14 YX
- C-MM 14 YX
- D-TR 14 YX
- E-X 14 YX
- F-AAM 14 YX
- G-SC 14 YX

CHASSIS SUPPLIED WIRING
(CONNECTS TO CHASSIS SUPPLIED WIRING)

A-FS 14 YEL
B-FT 14 WHT
CONNECTS TO WIRE ASM-CHASSIS

WIRING DIAGRAM-BACKWALL, FL
WIRE ASM 132673-03

NOTES:
1 SEE WIRING DIAGRAM-AUTO FOR ADDITIONAL INFORMATION.

FIRST USED	03 P-SERIES
TITLE	DO NOT SCALE DRAWING
WIRING DIAGRAM-AUTO LAMPS	
SHEET 3	PART NO 141857