



**DANGER**

**Danger of electrical shock, burns or death.** Always remove all power sources before attempting any repair, service or diagnostic work. Power can be present from shore power, generator, inverter or battery. All power sources must be disabled and secured before performing any service.

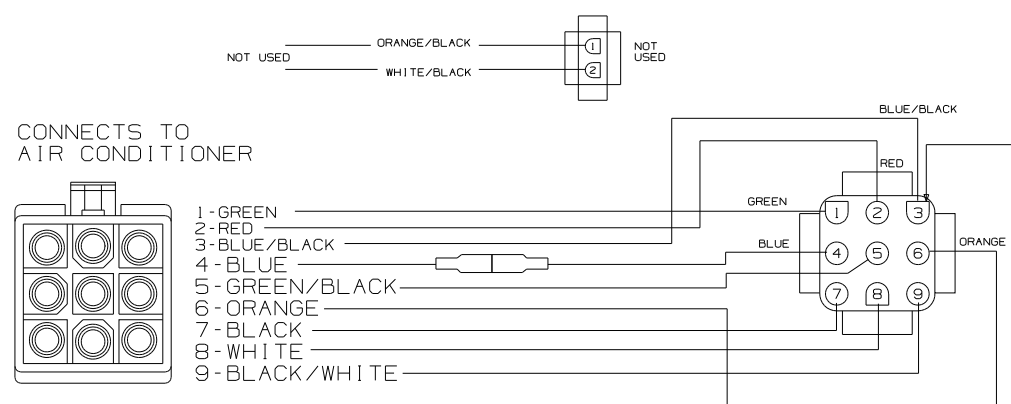


**CAUTION**

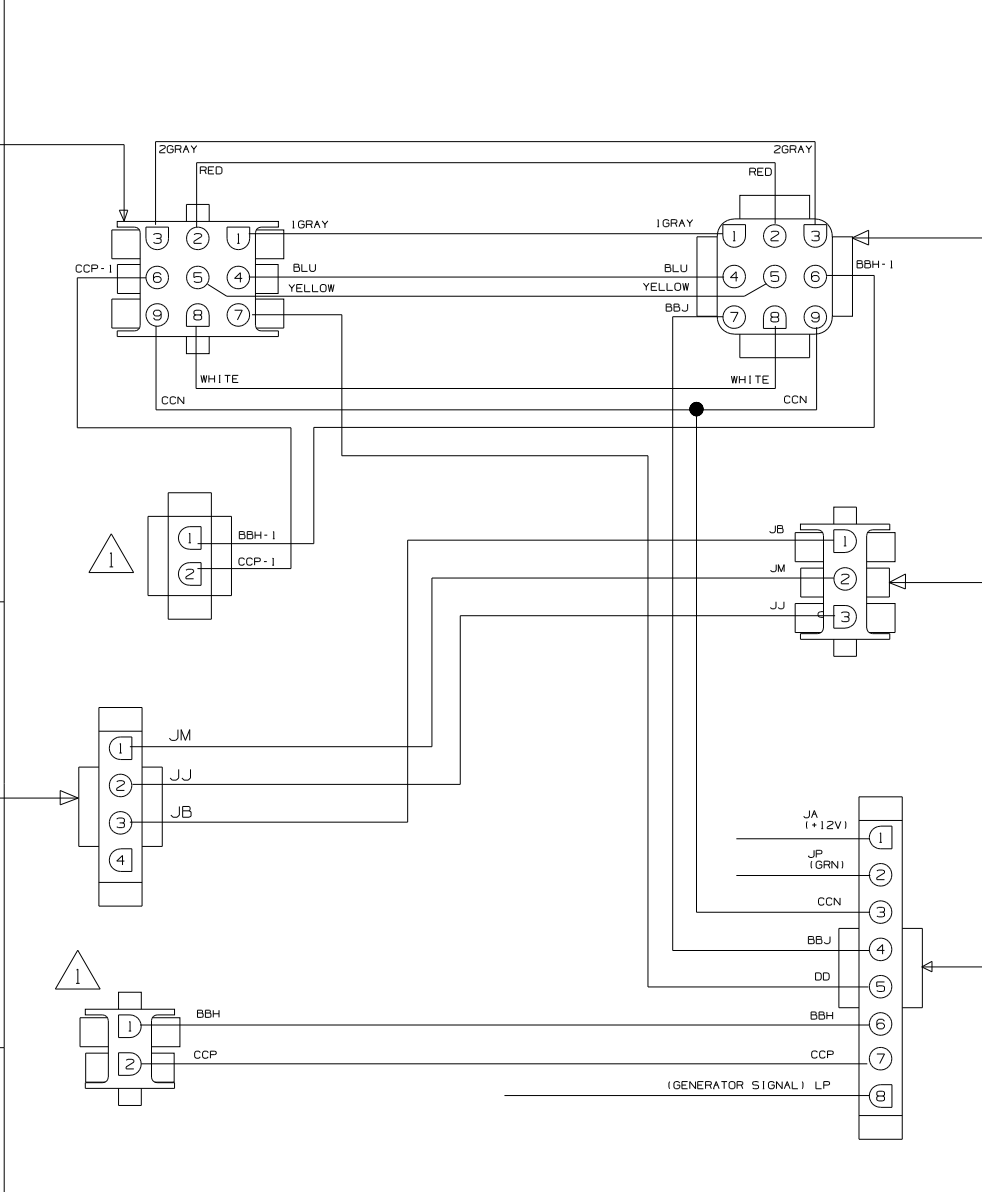
If you lack the skills, tools or equipment to perform diagnostic or repair work leave such work to an authorized Winnebago Industries dealer or other qualified shop.

WITHOUT HEAT PUMP

VENDOR SUPPLIED HARNESS

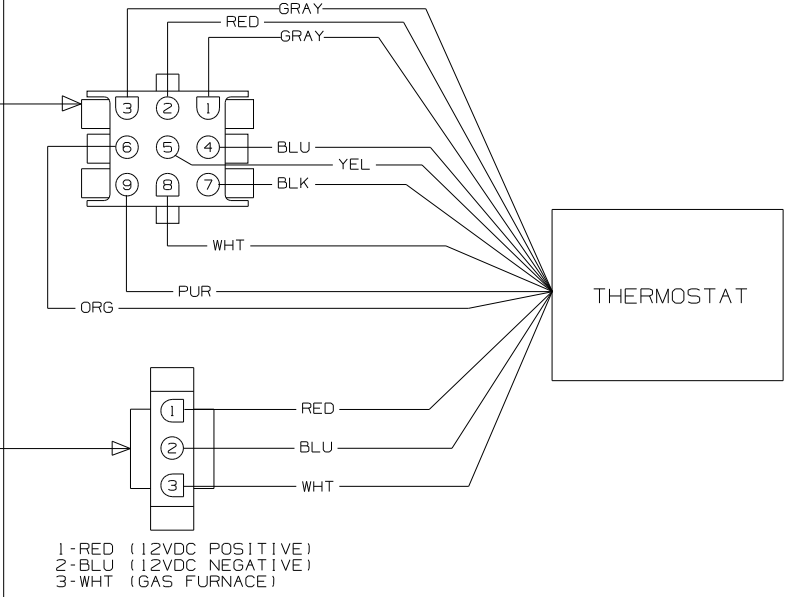


WINNEBAGO SUPPLIED HARNESS

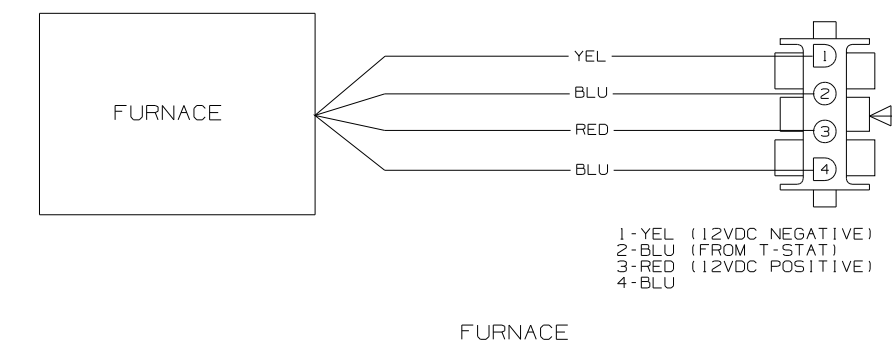
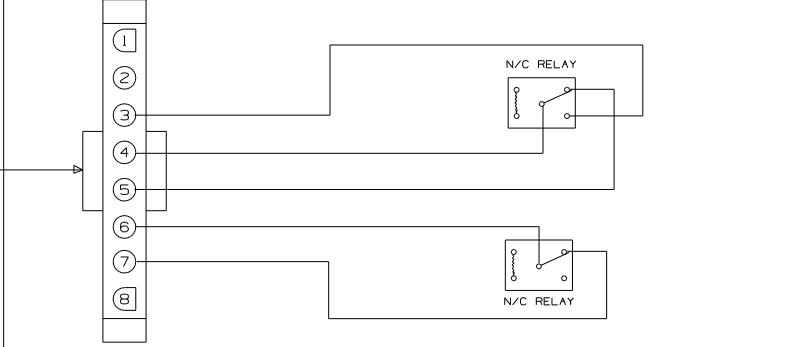


THERMOSTAT

- 1-GRY (FREEZE SWITCH & EXCLUSION RELAY)
- 2-RED (+12VDC)
- 3-GRY (FREEZE SWITCH & EXCLUSION RELAY)
- 4-BLU (-12VDC)
- 5-YEL (COOLING COMPRESSOR #1)
- 6-ORG (COOLING COMPRESSOR #2)
- 7-BLK (FAN HIGH)
- 8-WHT (HEAT PUMP)
- 9-PUR (FAN LOW)



LOAD SHEDDER BOARD



WIRING DIAGRAM-THERMOSTAT,EXT  
(WIRE ASM 135131  
WITHOUT HEAT PUMP)

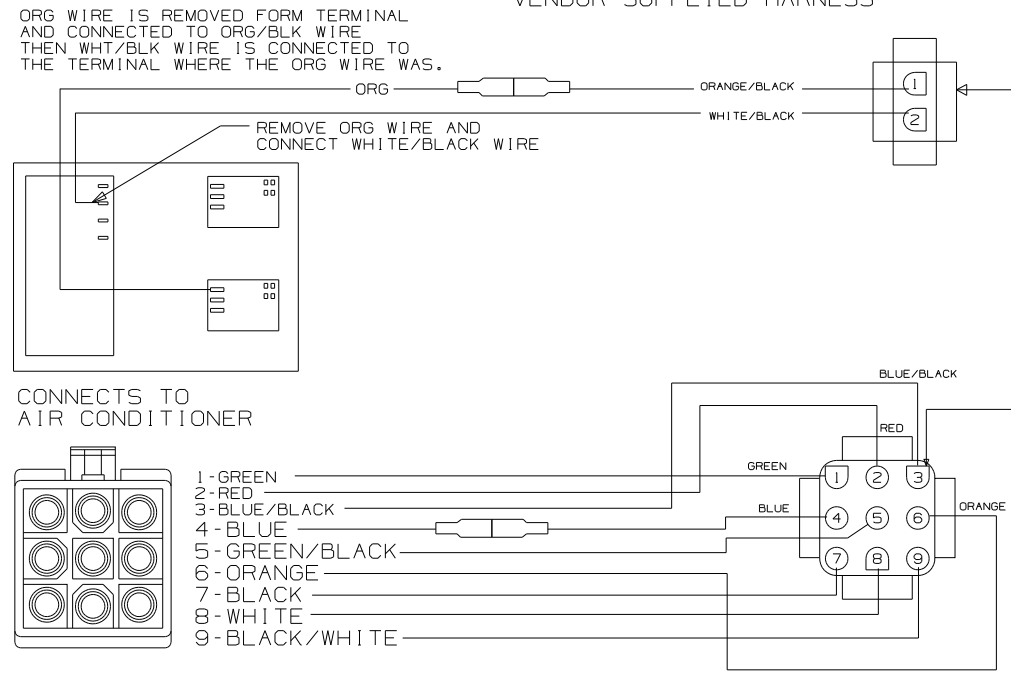
1. CONNECT HOUSING TOGETHER.

NOTES:

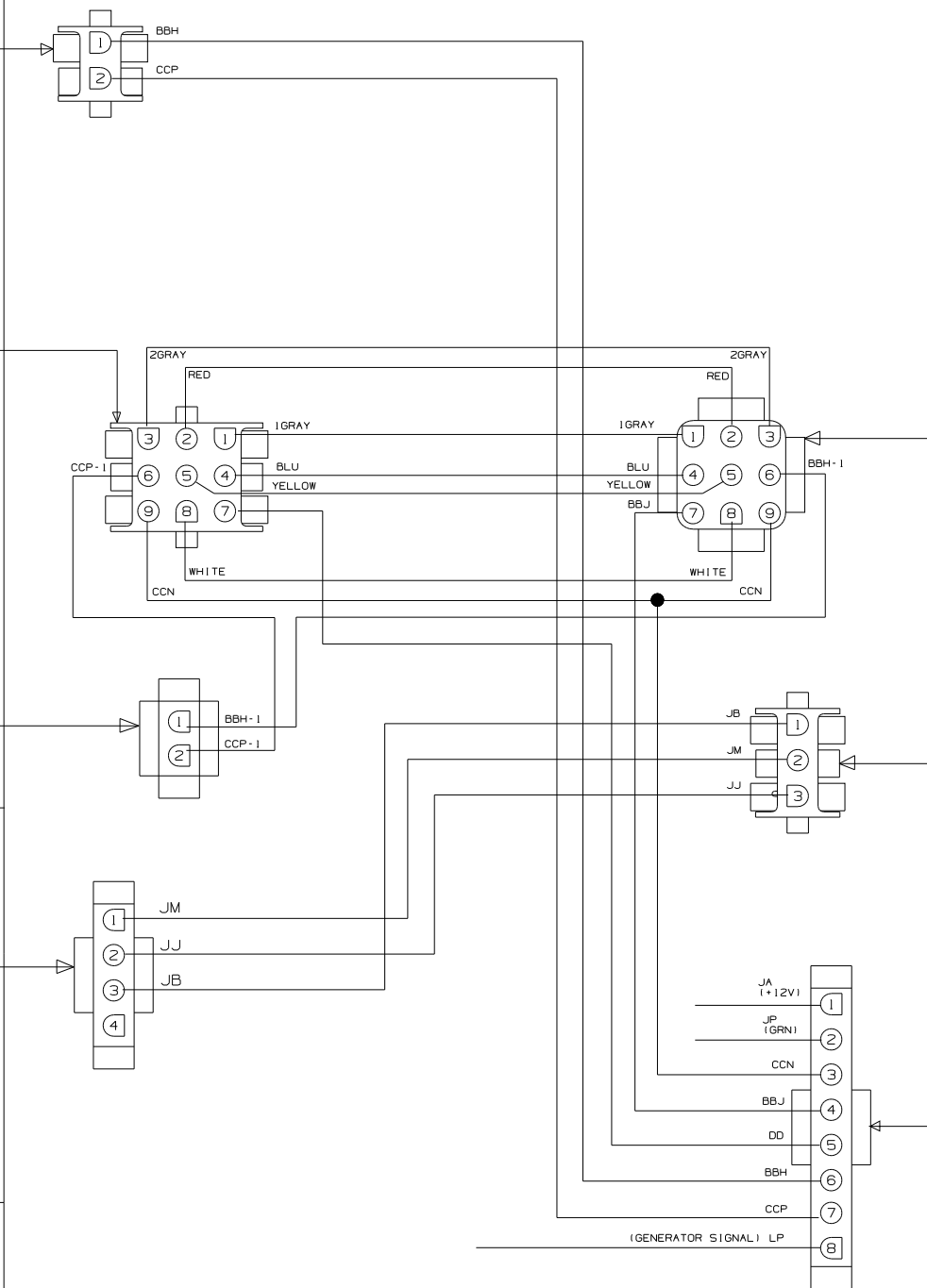
<b>WINNEBAGO</b>		COPYRIGHT 2002 WINNEBAGO INDUSTRIES, INC.	
DFTD	ORIG. DATE		
CHKR	P.E.	ALL DIMENSIONS ARE IN MILLIMETERS	
M.E.	FIRST USED	03 SERIES	
DSNR	UNSPECIFIED TOLERANCES ARE:	MATERIAL:	
	WHOLE DIM (X) :		
	ONE-PLACE (X.X) :		
	TWO-PLACE (X.XX) :		
	ANGLE :		
	THIRD ANGLE PROJECTION		
DO NOT SCALE DRAWING			
TITLE: WIRING DIAGRAM-AC/HEAT/EMS			
SHEET 1 OF 2	PART NO	138913	
REF:		1 02/28/03	

WITH HEAT PUMP

VENDOR SUPPLIED HARNESS

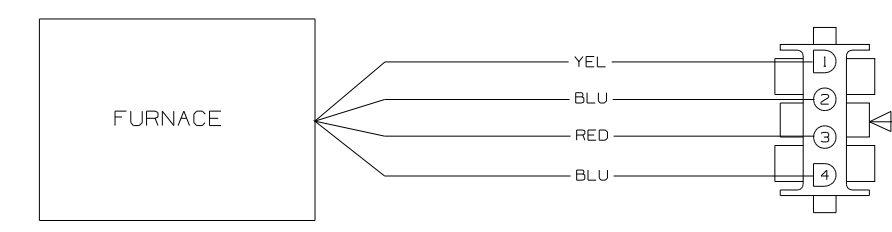
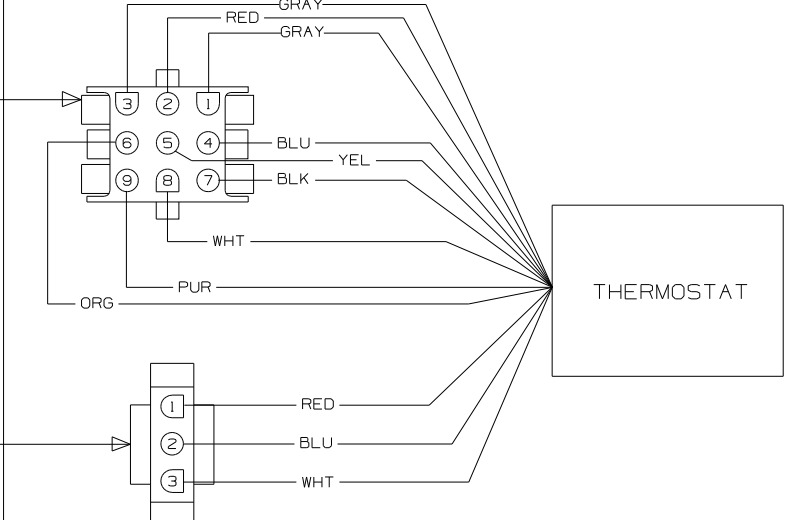


WINNEBAGO SUPPLIED HARNESS



THERMOSTAT

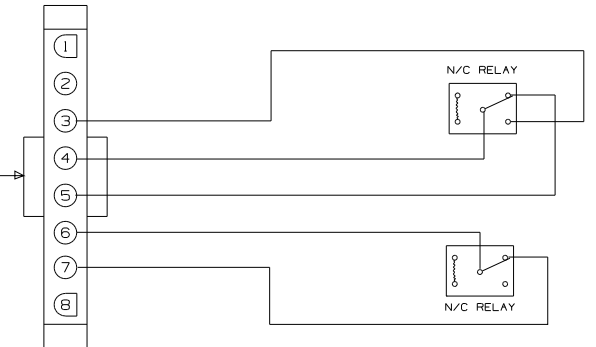
- 1-GRY (FREEZE SWITCH & EXCLUSION RELAY)
- 2-RED (+12VDC)
- 3-GRY (FREEZE SWITCH & EXCLUSION RELAY)
- 4-BLU (-12VDC)
- 5-YEL (COOLING COMPRESSOR #1)
- 6-ORG (COOLING COMPRESSOR #2)
- 7-BLK (FAN HIGH)
- 8-WHT (HEAT PUMP)
- 9-PUR (FAN LOW)



- 1-YEL (12VDC NEGATIVE)
- 2-BLU (FROM T-STAT)
- 3-RED (12VDC POSITIVE)
- 4-BLU

FURNACE

LOAD SHEDDER BOARD



WIRING DIAGRAM-THERMOSTAT,EXT  
(WIRE ASM 135131  
WITH HEAT PUMP)

NOTES:  
1. RLC FOR 2001 THIS RESET WAS DELETED.

FIRST USED	03 SERIES
DO NOT SCALE DRAWING	
TITLE:	WIRING DIAGRAM-AC/HEAT/EMS
SHEET 2	PART NO 138913