



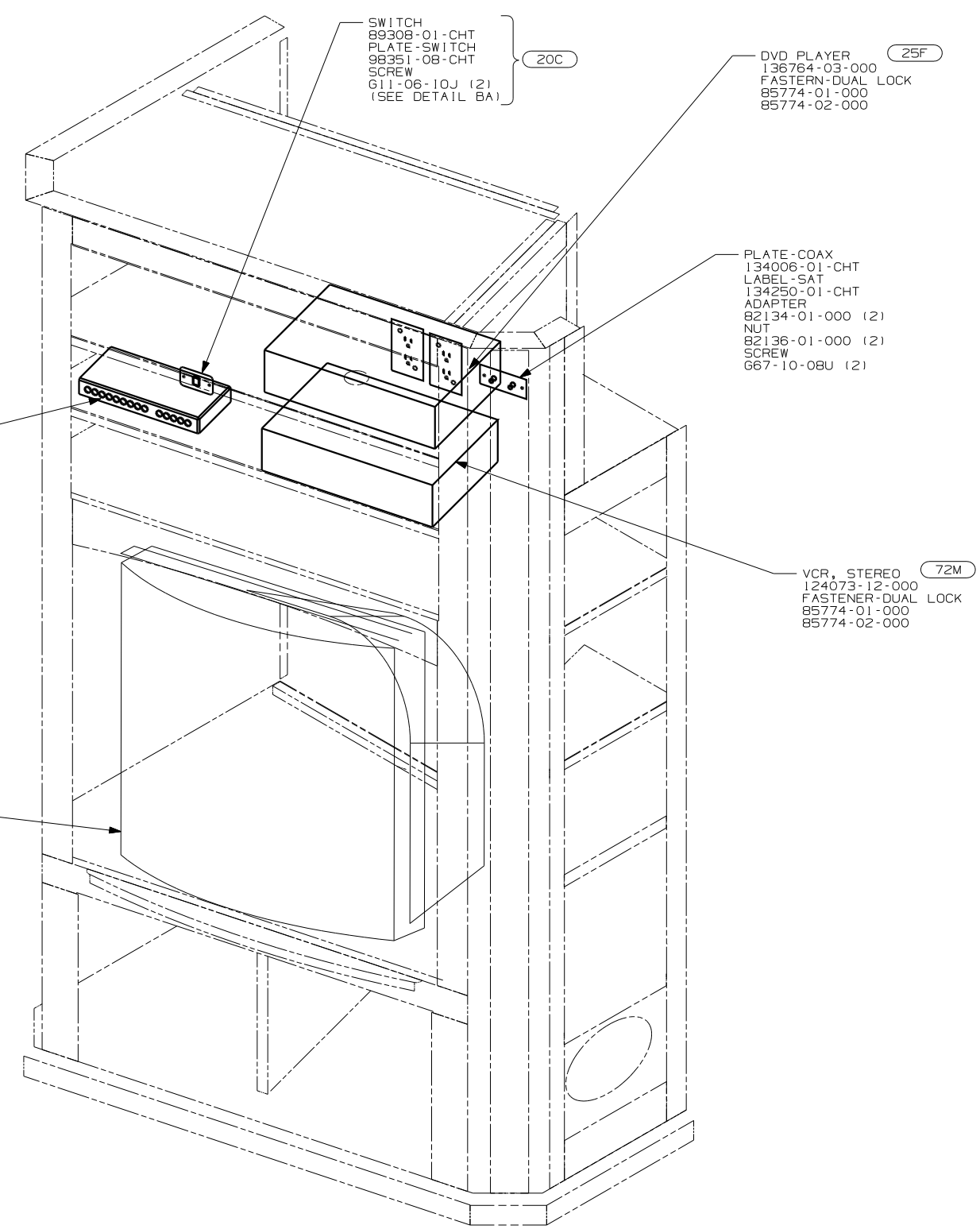
DANGER

Danger of electrical shock, burns or death. Always remove all power sources before attempting any repair, service or diagnostic work. Power can be present from shore power, generator, inverter or battery. All power sources must be disabled and secured before performing any service.



CAUTION

If you lack the skills, tools or equipment to perform diagnostic or repair work leave such work to an authorized Winnebago Industries dealer or other qualified shop.



35P CONTROL CENTER SWITCHING
142258-01-000
FASTENER-DUAL LOCK
85774-01-000 (220) (2)
85774-02-000 (220) (2)

20C SWITCH
89308-01-CHT
PLATE-SWITCH
98351-08-CHT
SCREW
G11-06-10J (2)
(SEE DETAIL BA)

25F DVD PLAYER
136764-03-000
FASTENER-DUAL LOCK
85774-01-000
85774-02-000

PLATE-COAX
134006-01-CHT
LABEL-SAT
134250-01-CHT
ADAPTER
82134-01-000 (2)
NUT
82136-01-000 (2)
SCREW
G67-10-08U (2)

72M VCR, STEREO
124073-12-000
FASTENER-DUAL LOCK
85774-01-000
85774-02-000

79H TV-32", STEREO
140061-03-000

- 20C SOUND SYS. DLX. W/O-SURROUND
- 25F DIGITAL VIDEO DISC PLAYER
- 78K SATILLITE DISH-AUTOMATIC
- 72M VCR-STEREO
- 79H ENTERTAINMENT CENTER-INTERIOR
- 35P VIDEO SELECTION SYSTEM

WINNEBAGO.

DFTR	ORIG. DATE
CHKR	ALL DIMENSIONS ARE IN MILLIMETERS
P.E.	
M.E.	FIRST USED
DSNR	03 L39T
UNSPECIFIED TOLERANCES ARE:	MATERIAL:
WHOLE DIM (X) :	
ONE-PLACE (X.X) :	
TWO-PLACE (X.XX) :	
ANGLE :	
THIRD ANGLE PROJECTION	

DO NOT SCALE DRAWING

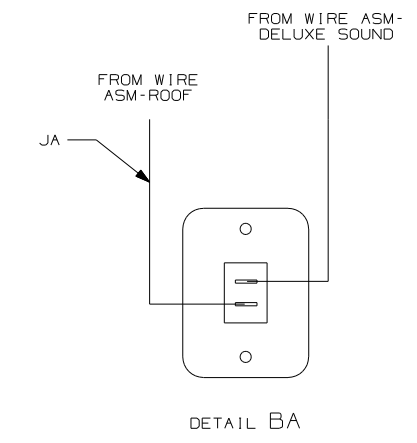
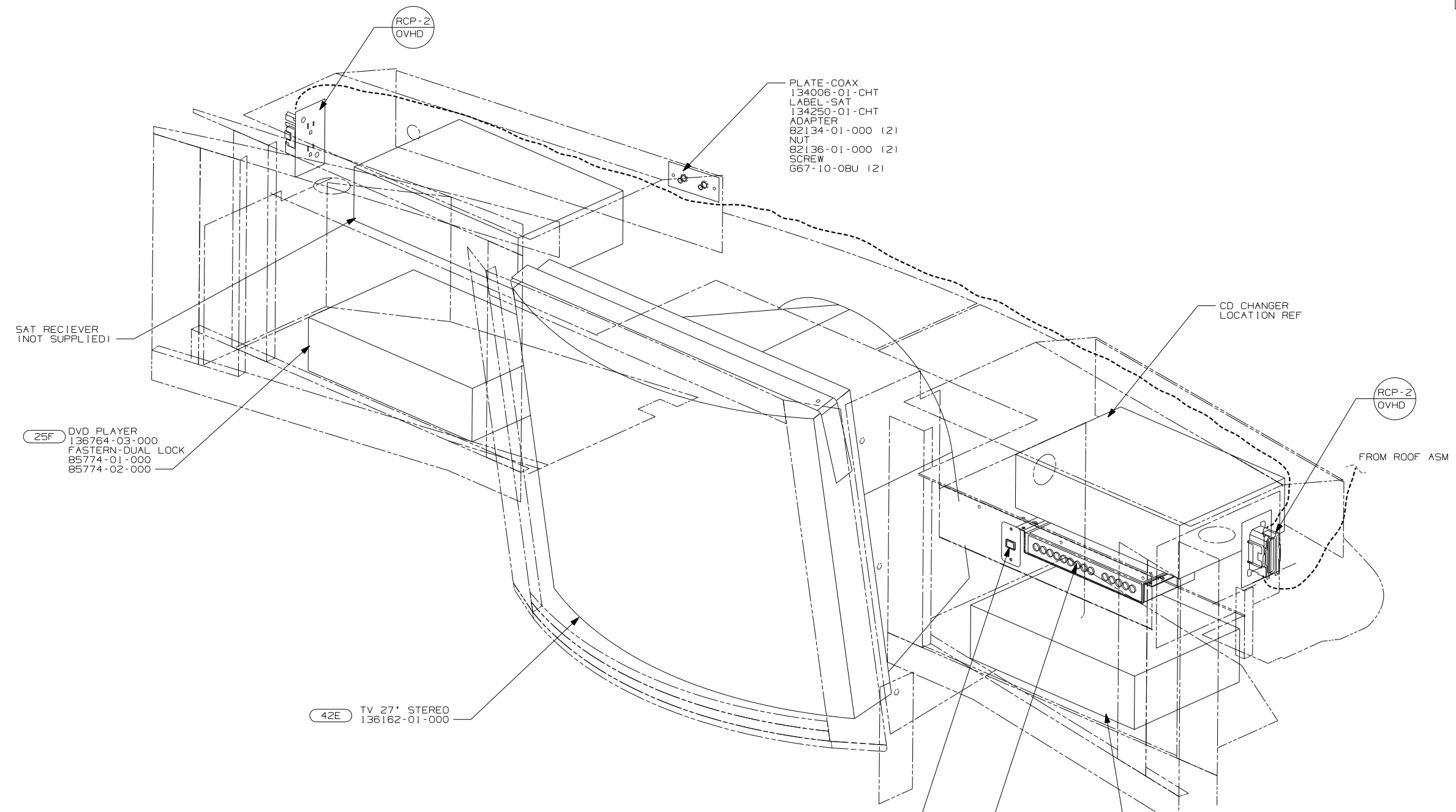
TITLE: WIRING INSTL-TV/VCR

SHEET 1 of 4 PART NO 142409

NOTES:
1. SEE WIRING INSTALLATION-BODY, 110V FOR ADDITIONAL INFORMATION

FOR ELECTRICAL TORQUE SPECIFICATIONS SEE DWG NO. 128783-01-000

FOR ELECTRICAL CALLOUTS SEE DWG NO. 121339-01-000

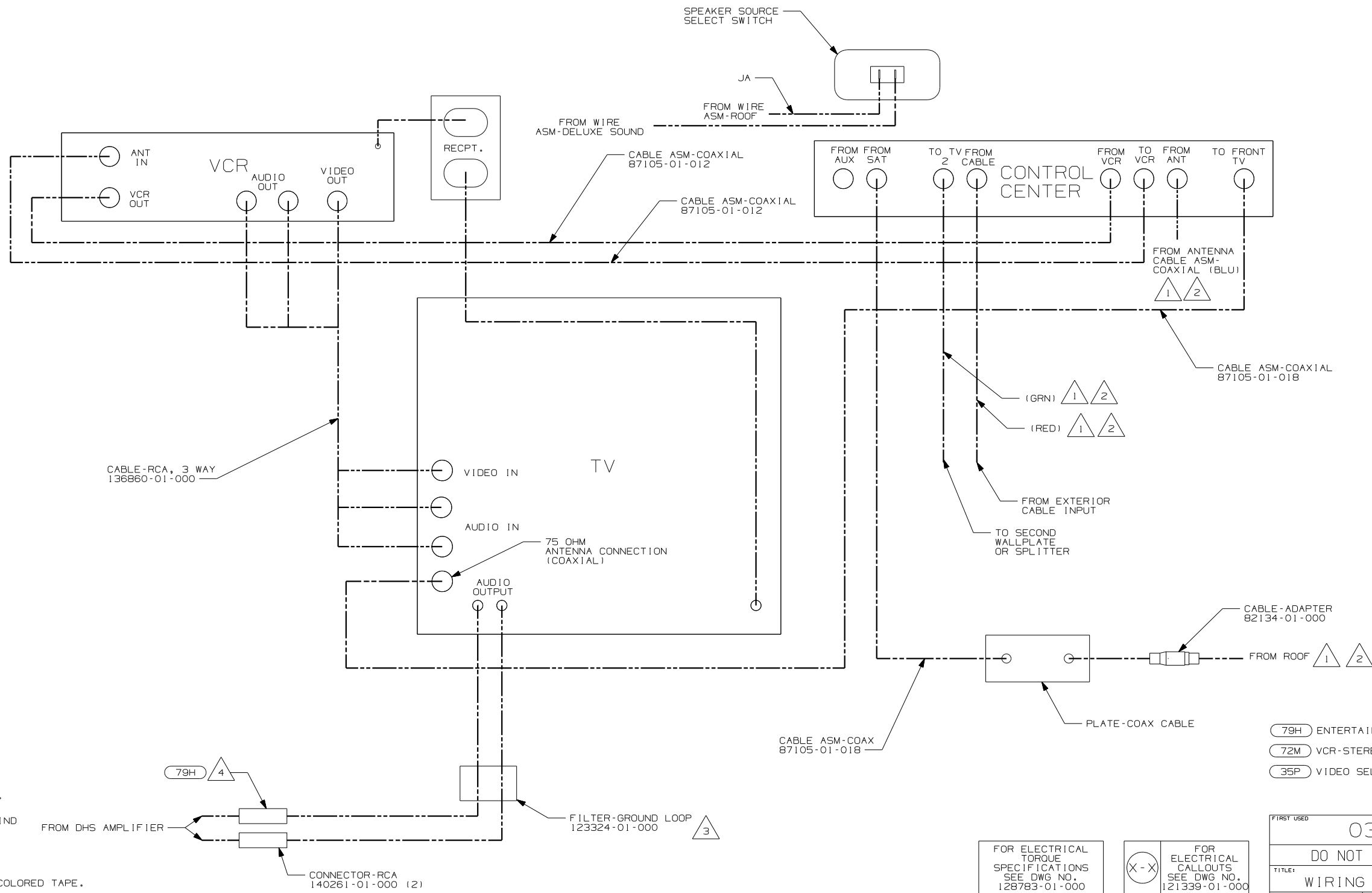


- 20C** SWITCH 89308-01-CHT, PLATE-SWITCH 98351-16-CHT, SCREW 611-06-10J (2) (SEE DETAIL BA)
- 35P** CONTROL CENTER SWITCHING 142258-01-000, FASTENER-DUAL LOCK 85774-01-000 (220) (2), 85774-02-000 (220) (2)
- 72M** VCR, STEREO 124073-12-000, FASTENER-DUAL LOCK 85774-01-000, 85774-02-000
- 20C** SOUND SYS. DLX. W/O-SURROUND
- 42E** TV-27" COLOR, STEREO W/REMOTE
- 25F** DIGITAL VIDEO DISC PLAYER
- 78K** SATILLITE DISH-AUTOMATIC
- 72M** VCR-STEREO
- 35P** VIDIO SELECTION SYSTEM

FOR ELECTRICAL TORQUE SPECIFICATIONS SEE DWG NO. 128783-01-000

FOR ELECTRICAL CALLOUTS SEE DWG NO. 121339-01-000

FIRST USED	
03 L39T	
DO NOT SCALE DRAWING	
TITLE: WIRING INSTL-TV/VCR	
SHEET 2	PART NO 142409



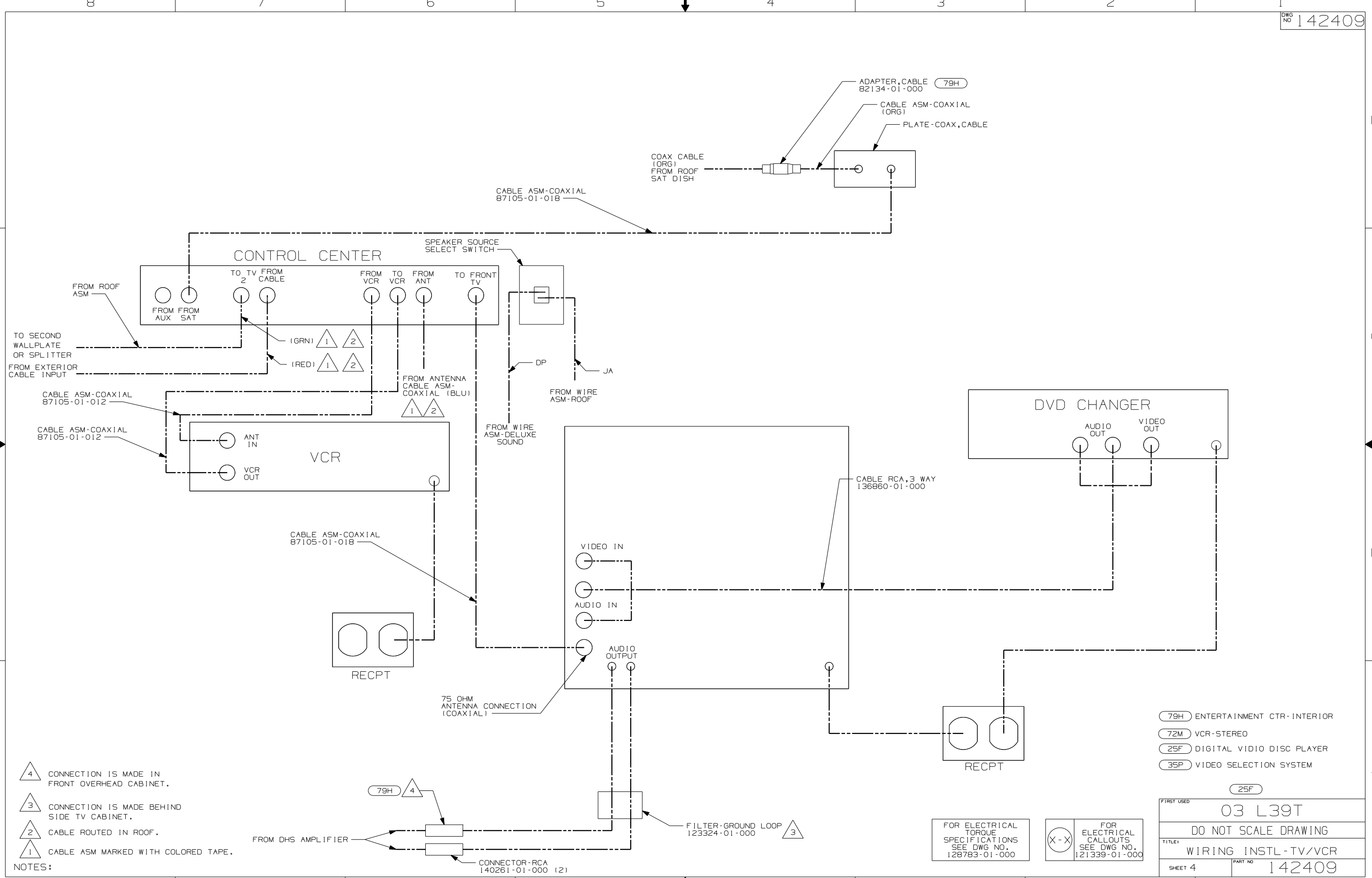
- NOTES:
- 4 CONNECTION IS MADE IN FRONT OVERHEAD CABINET.
 - 3 CONNECTION IS MADE BEHIND SIDE TV CABINET.
 - 2 CABLE ROUTED IN ROOF.
 - 1 CABLE ASM MARKED WITH COLORED TAPE.

- 79H ENTERTAINMENT CTR- INTERIOR
- 72M VCR-STEREO
- 35P VIDEO SELECTION SYSTEM

FOR ELECTRICAL TORQUE SPECIFICATIONS SEE DWG NO. 128783-01-000

FOR ELECTRICAL CALLOUTS SEE DWG NO. 121339-01-000

FIRST USED	03 L39T
DO NOT SCALE DRAWING	
TITLE	WIRING INSTL-TV/VCR
SHEET 3	PART NO 142409



- NOTES:
- 4 CONNECTION IS MADE IN FRONT OVERHEAD CABINET.
 - 3 CONNECTION IS MADE BEHIND SIDE TV CABINET.
 - 2 CABLE ROUTED IN ROOF.
 - 1 CABLE ASM MARKED WITH COLORED TAPE.

- (79H) ENTERTAINMENT CTR-INTERIOR
- (72M) VCR-STEREO
- (25F) DIGITAL VIDEO DISC PLAYER
- (35P) VIDEO SELECTION SYSTEM

FOR ELECTRICAL TORQUE SPECIFICATIONS SEE DWG NO. 128783-01-000

FOR ELECTRICAL CALLOUTS SEE DWG NO. 121339-01-000

FIRST USED	
03 L39T	
DO NOT SCALE DRAWING	
TITLE: WIRING INSTL-TV/VCR	
SHEET 4	PART NO 142409