



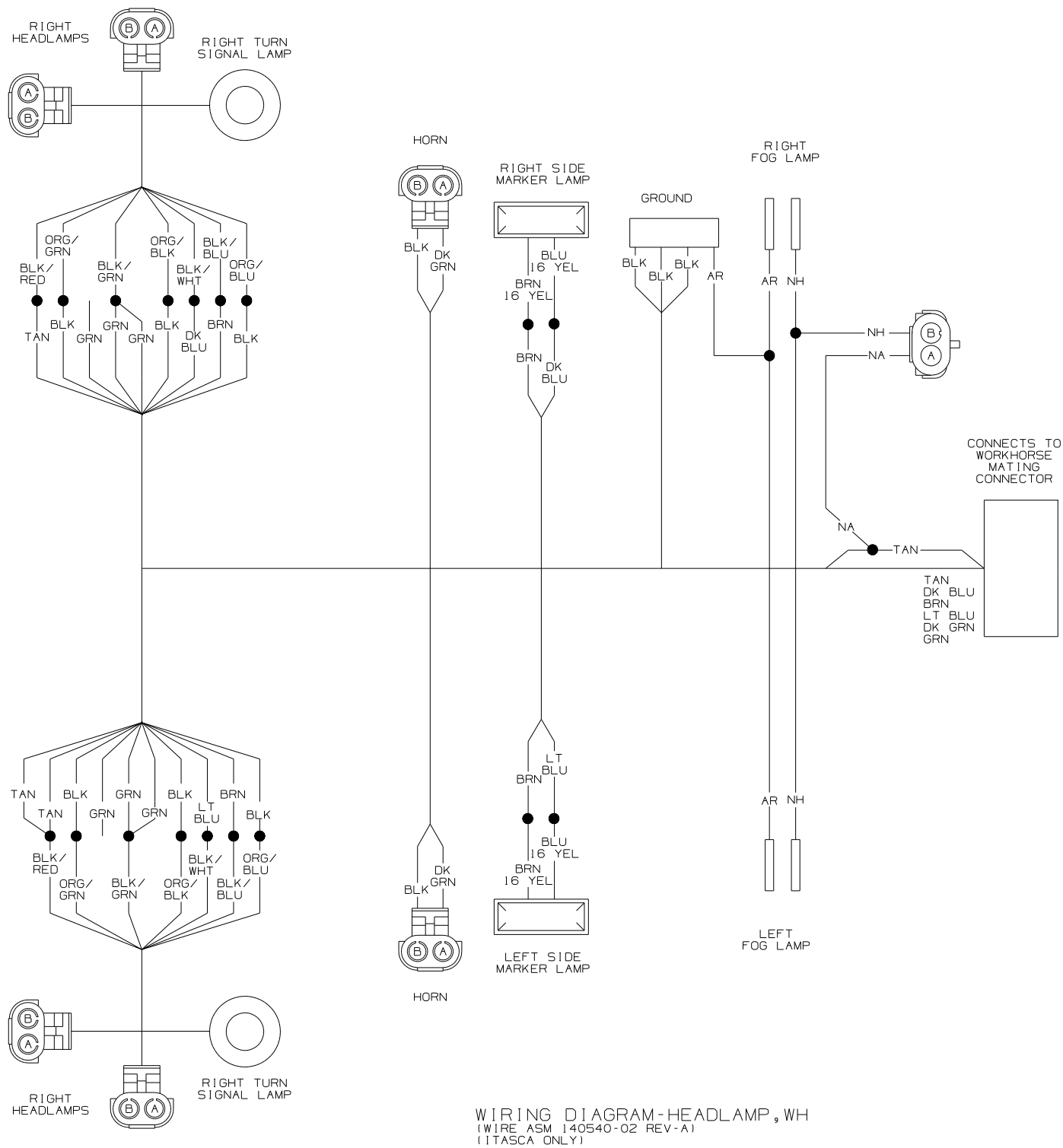
DANGER

Danger of electrical shock, burns or death. Always remove all power sources before attempting any repair, service or diagnostic work. Power can be present from shore power, generator, inverter or battery. All power sources must be disabled and secured before performing any service.

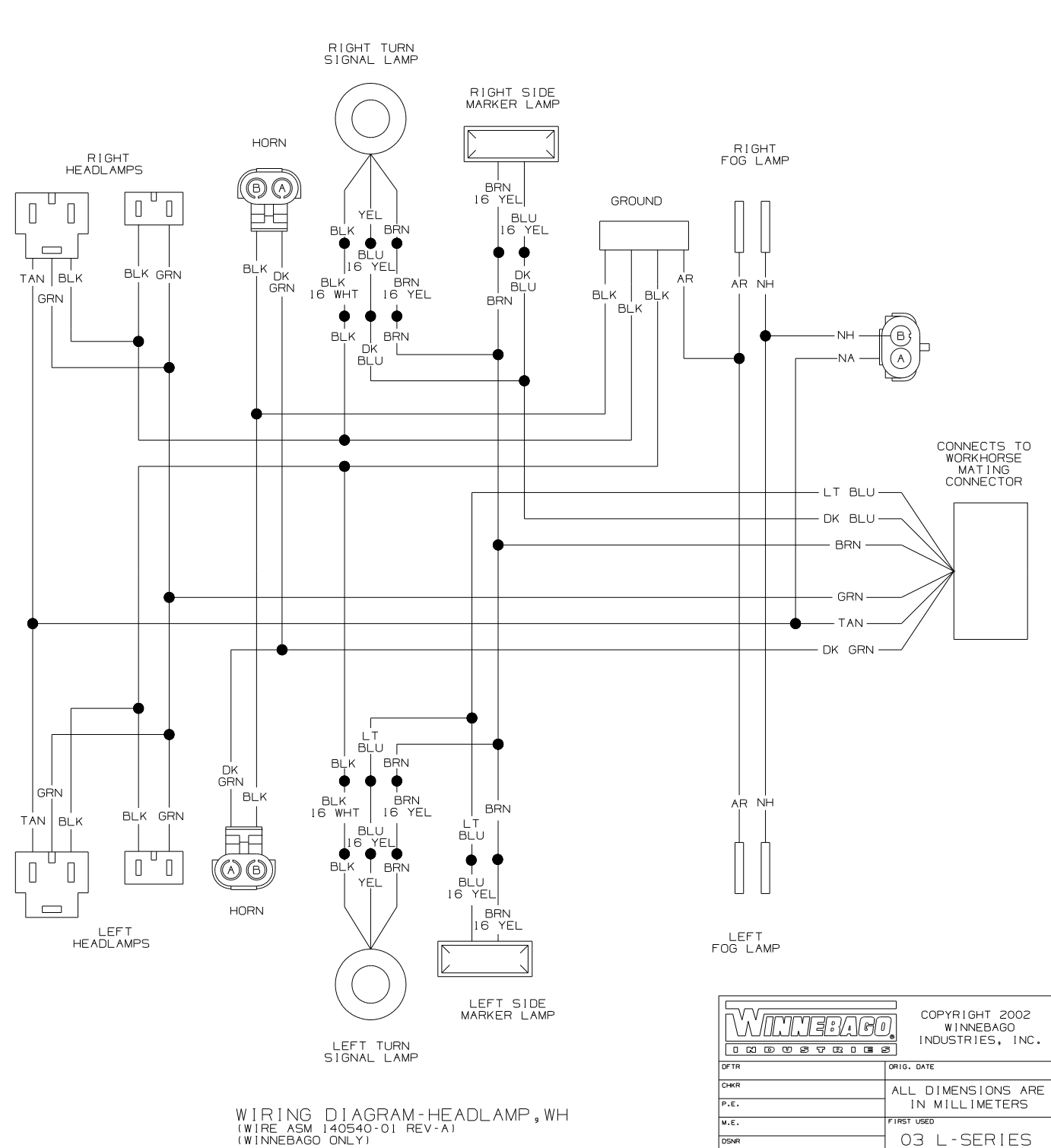


CAUTION

If you lack the skills, tools or equipment to perform diagnostic or repair work leave such work to an authorized Winnebago Industries dealer or other qualified shop.



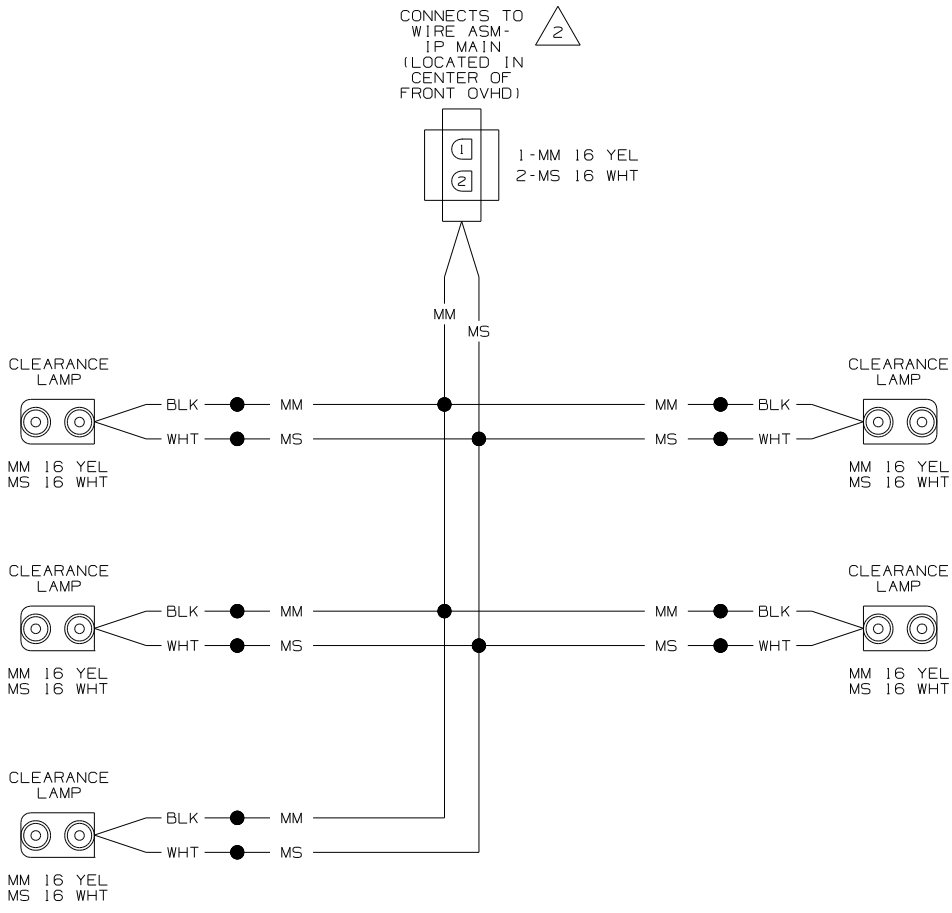
WIRING DIAGRAM-HEADLAMP, WH
(WIRE ASM 140540-02 REV-A)
(ITASCA ONLY)



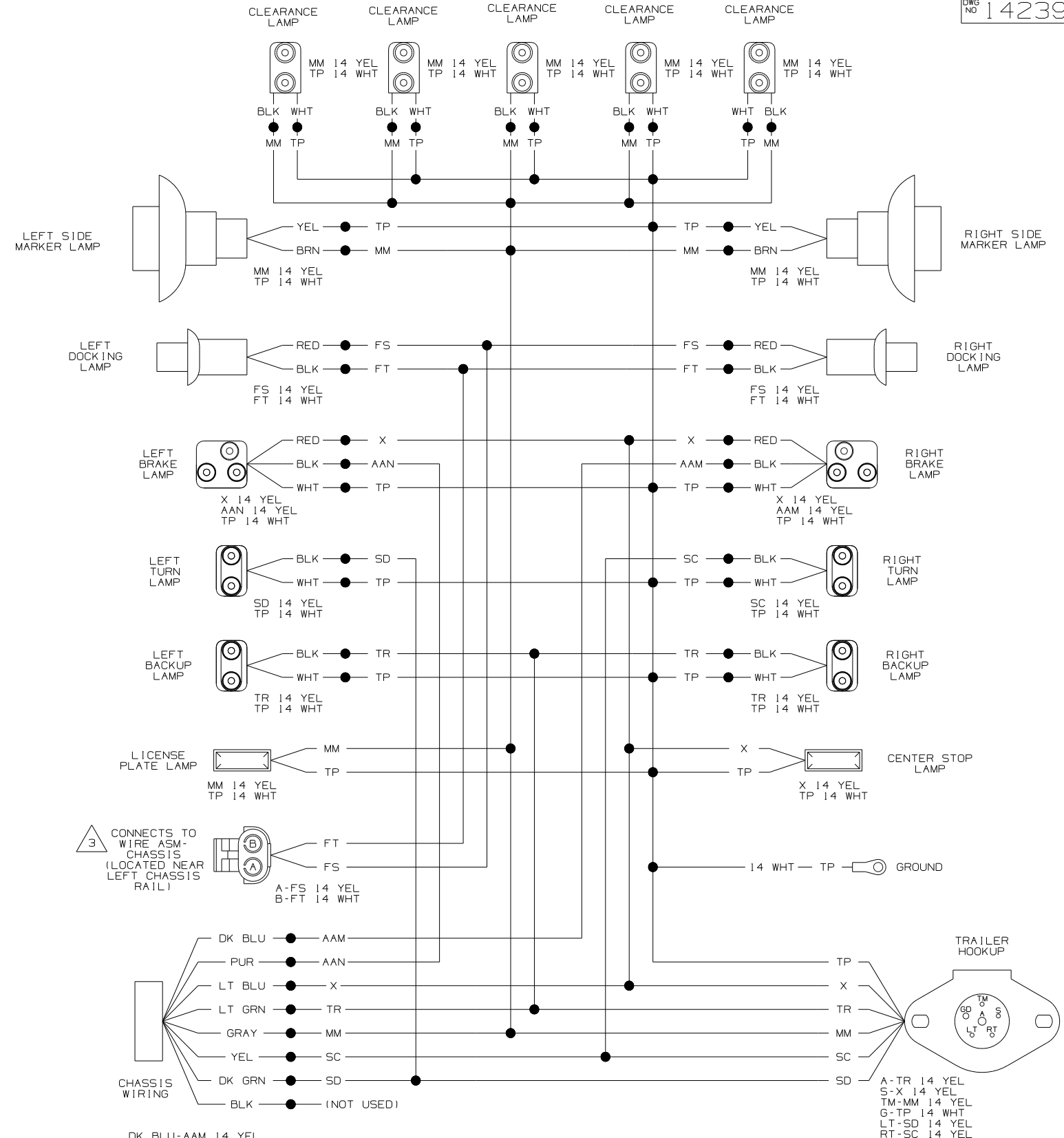
WIRING DIAGRAM-HEADLAMP, WH
(WIRE ASM 140540-01 REV-A)
(WINNEBAGO ONLY)

NOTES:
 2 SEE WIRING DIAGRAM-AUTO FOR ADDITIONAL INFORMATION.
 1 SEE MANUFACTURER'S DIAGRAM FOR ADDITIONAL INFORMATION.

WINNEBAGO		COPYRIGHT 2002 WINNEBAGO INDUSTRIES, INC.	
DFT#	ORIG. DATE	ALL DIMENSIONS ARE IN MILLIMETERS	
CHKR		FIRST USED	
P.E.		03 L-SERIES	
M.E.		UNSPECIFIED TOLERANCES ARE:	
DSNR		MATERIAL:	
		WHOLE DIM (X)	:
		ONE-PLACE (X.X)	:
		TWO-PLACE (X.XX)	:
		ANGLE	:
THIRD ANGLE PROJECTION		DO NOT SCALE DRAWING	
TITLE: WIRING DIAGRAM-AUTO LAMPS			
SHEET 1 OF 2		PART NO 142391	
REF:		1 03/03/03	



WIRING DIAGRAM-CLEARANCE LAMPS (WIRE ASM 126486-04 REV-E)



WIRING DIAGRAM-BACKWALL (WIRE ASM 139509 REV-C)

- NOTES:
- 3 SEE WIRING DIAGRAM-BODY, 12V FOR ADDITIONAL INFORMATION.
 - 2 SEE WIRING DIAGRAM-AUTO FOR ADDITIONAL INFORMATION.
 - 1 SEE MANUFACTURER'S DIAGRAM FOR ADDITIONAL INFORMATION.

FIRST USED	
03 L-SERIES	
DO NOT SCALE DRAWING	
TITLE: WIRING DIAGRAM-AUTO LAMPS	
SHEET 2	PART NO 142391