



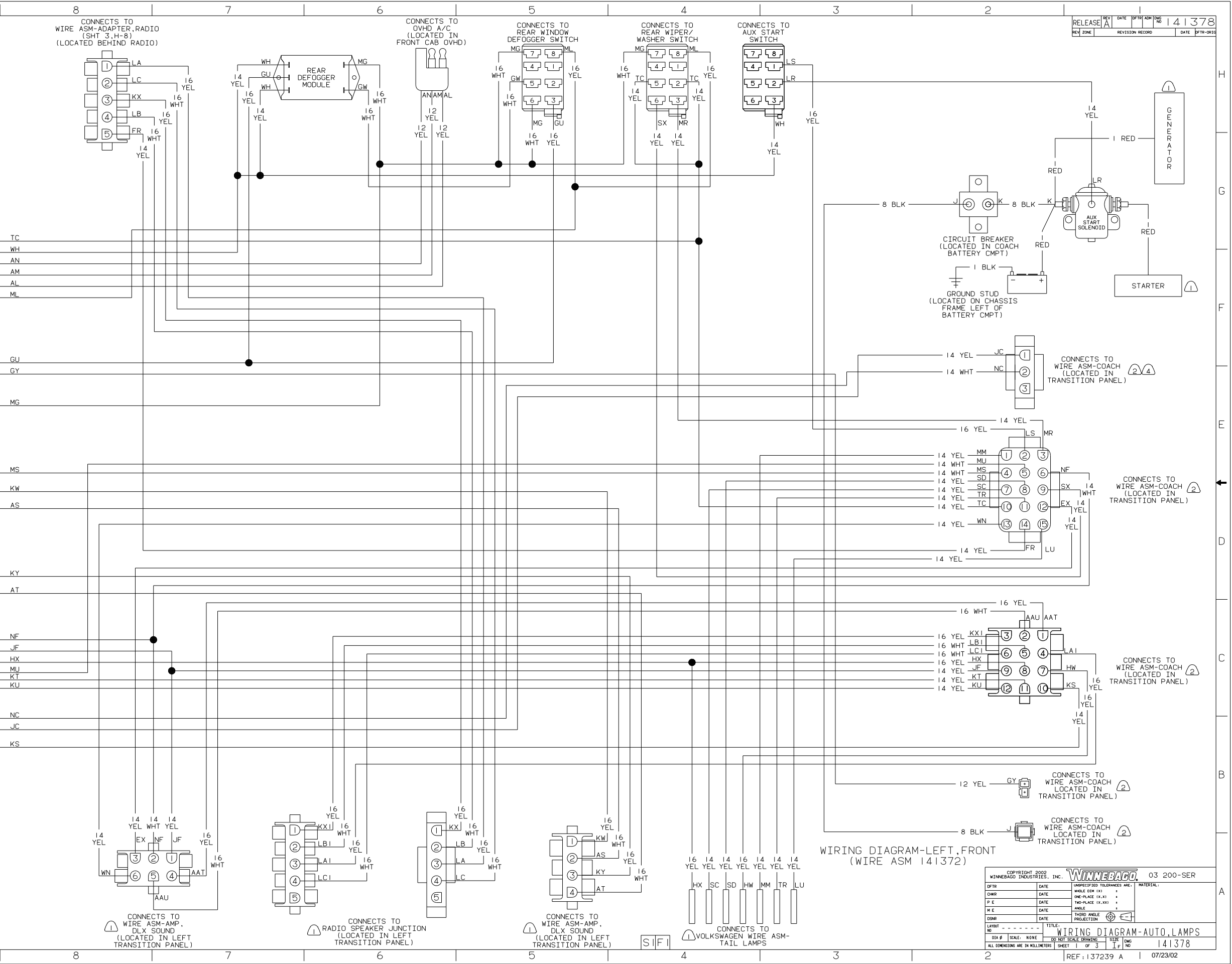
DANGER

Danger of electrical shock, burns or death. Always remove all power sources before attempting any repair, service or diagnostic work. Power can be present from shore power, generator, inverter or battery. All power sources must be disabled and secured before performing any service.



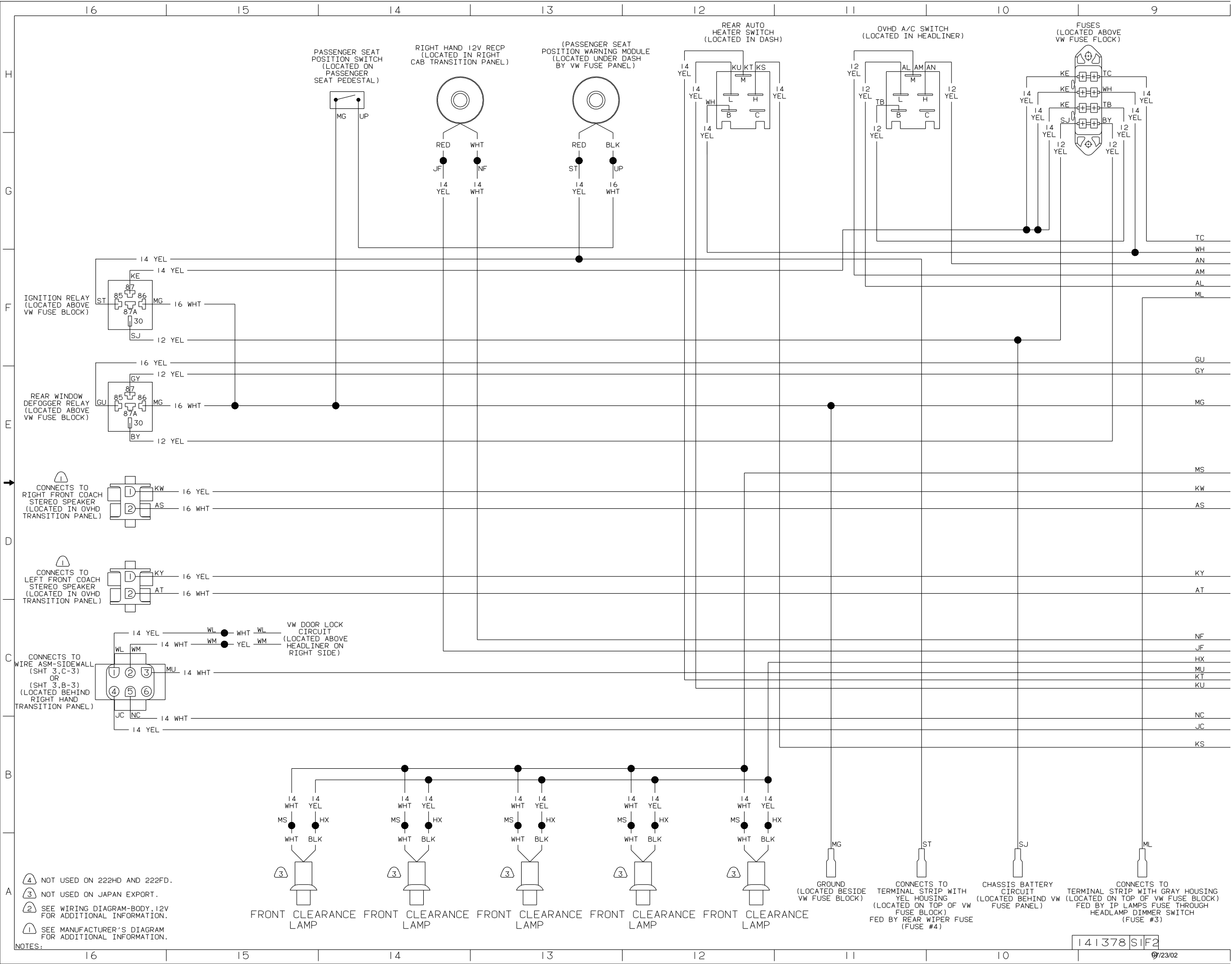
CAUTION

If you lack the skills, tools or equipment to perform diagnostic or repair work leave such work to an authorized Winnebago Industries dealer or other qualified shop.

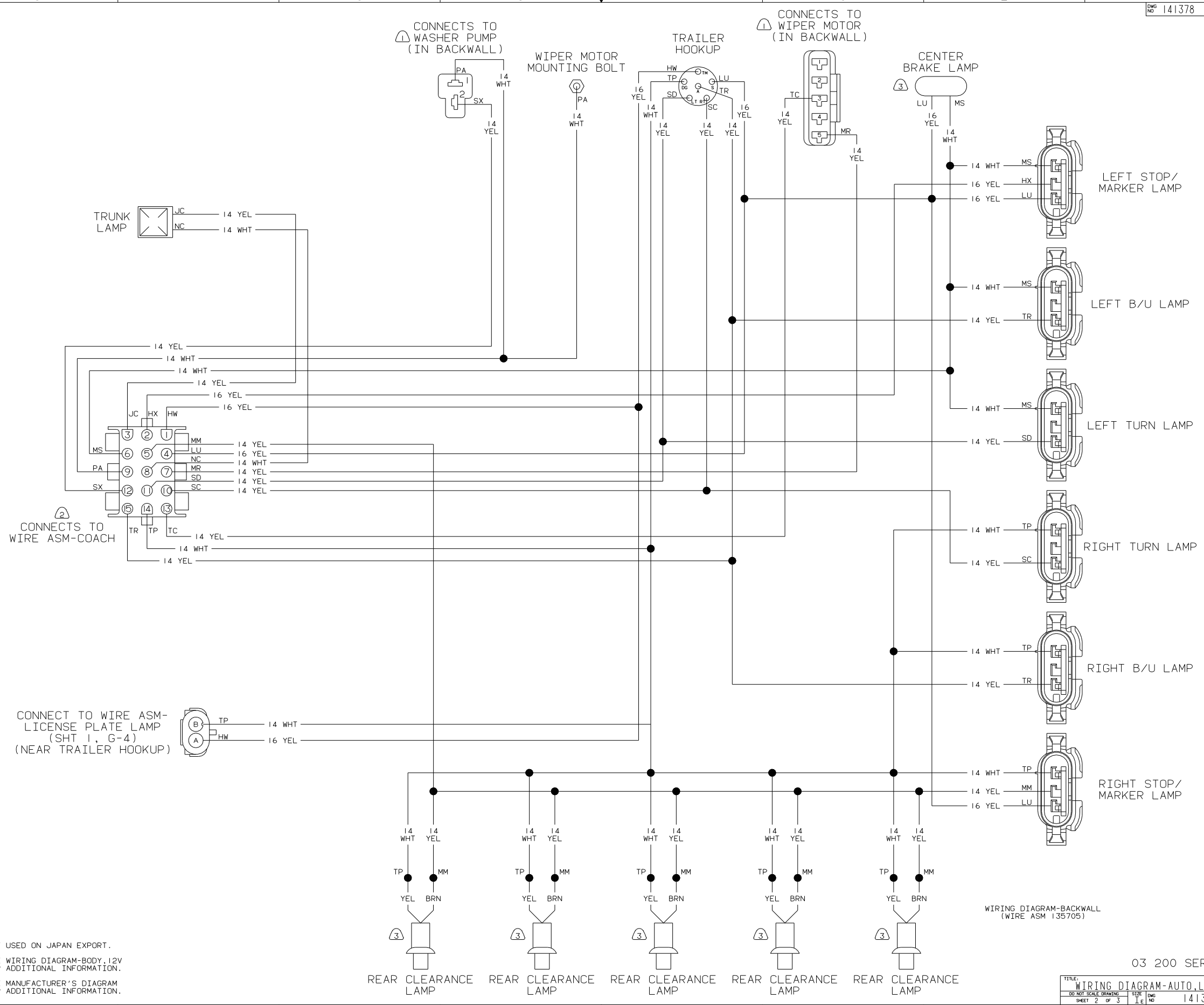


WIRING DIAGRAM-LEFT,FRONT
(WIRE ASM 141372)

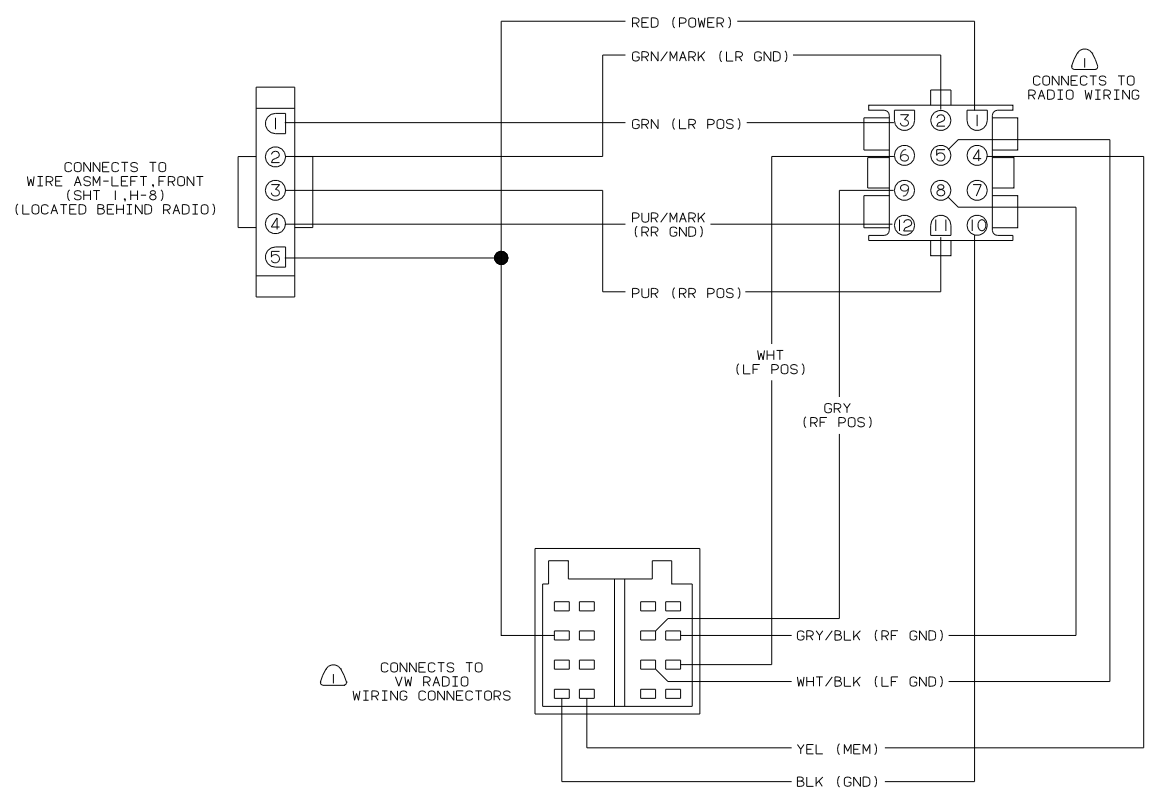
| | |
|-----------------------------------------------------------------------|-----------------------------|
| COPYRIGHT 2002 WINNEBAGO INDUSTRIES, INC. WINNEBAGO 03 200-SER | |
| DATE | UNSPECIFIED TOLERANCES ARE: |
| DATE | ANGLE |
| DATE | ONE-PLACE (X.X) |
| DATE | TWO-PLACE (X.XX) |
| DATE | THIRD ANGLE PROJECTION |
| DATE | THIRD ANGLE PROJECTION |
| TITLE: WIRING DIAGRAM-AUTO,LAMPS | |
| LAYOUT NO | SIZE |
| DIA # | SCALE: NONE |
| DO NOT SCALE DRAWING | NO |
| SHEET 1 OF 3 | NO 141378 |
| ALL DIMENSIONS ARE IN MILLIMETERS | |



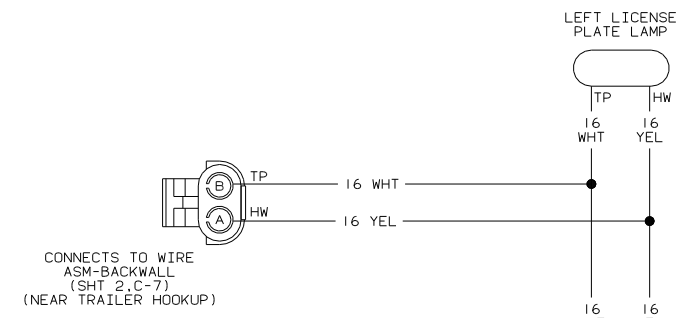
- NOTES:
- ④ NOT USED ON 222HD AND 222FD.
 - ③ NOT USED ON JAPAN EXPORT.
 - ② SEE WIRING DIAGRAM-BODY, 12V FOR ADDITIONAL INFORMATION.
 - ① SEE MANUFACTURER'S DIAGRAM FOR ADDITIONAL INFORMATION.



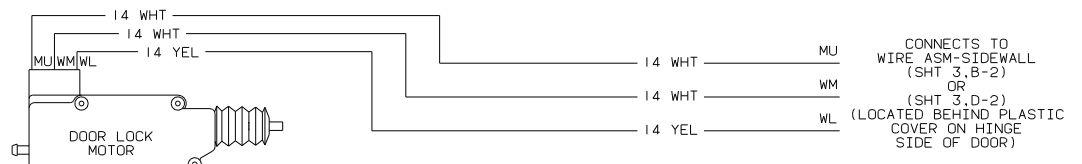
NOTES:
 ③ NOT USED ON JAPAN EXPORT.
 ② SEE WIRING DIAGRAM-BODY, 12V FOR ADDITIONAL INFORMATION.
 ① SEE MANUFACTURER'S DIAGRAM FOR ADDITIONAL INFORMATION.



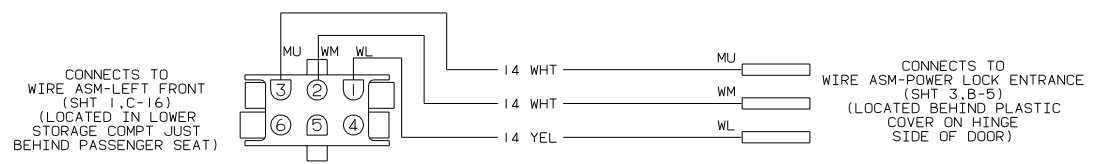
WIRING DIAGRAM-ADAPTER,RADIO (WIRE ASM 114365-02)



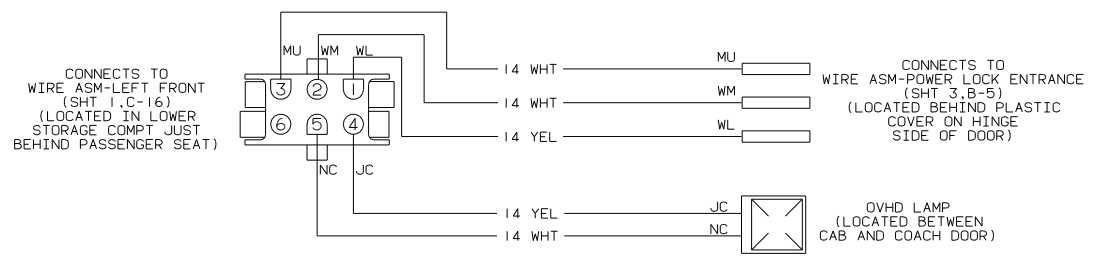
WIRING DIAGRAM LICENSE PLATE LAMPS (WIRE ASM 113731-02 US/CA) (WIRE ASM-113731-01 JAPAN EXPORT)



WIRING DIAGRAM-POWER LOCK ENTRANCE (WIRE ASM 93057-04)



WIRING DIAGRAM-SIDEWALL (WIRE ASM 135846-01) 222HD & 222FD ONLY



WIRING DIAGRAM-SIDEWALL (WIRE ASM 135846-02) 222GD ONLY

NOTES: SEE MANUFACTURER'S DIAGRAM FOR ADDITIONAL INFORMATION.