



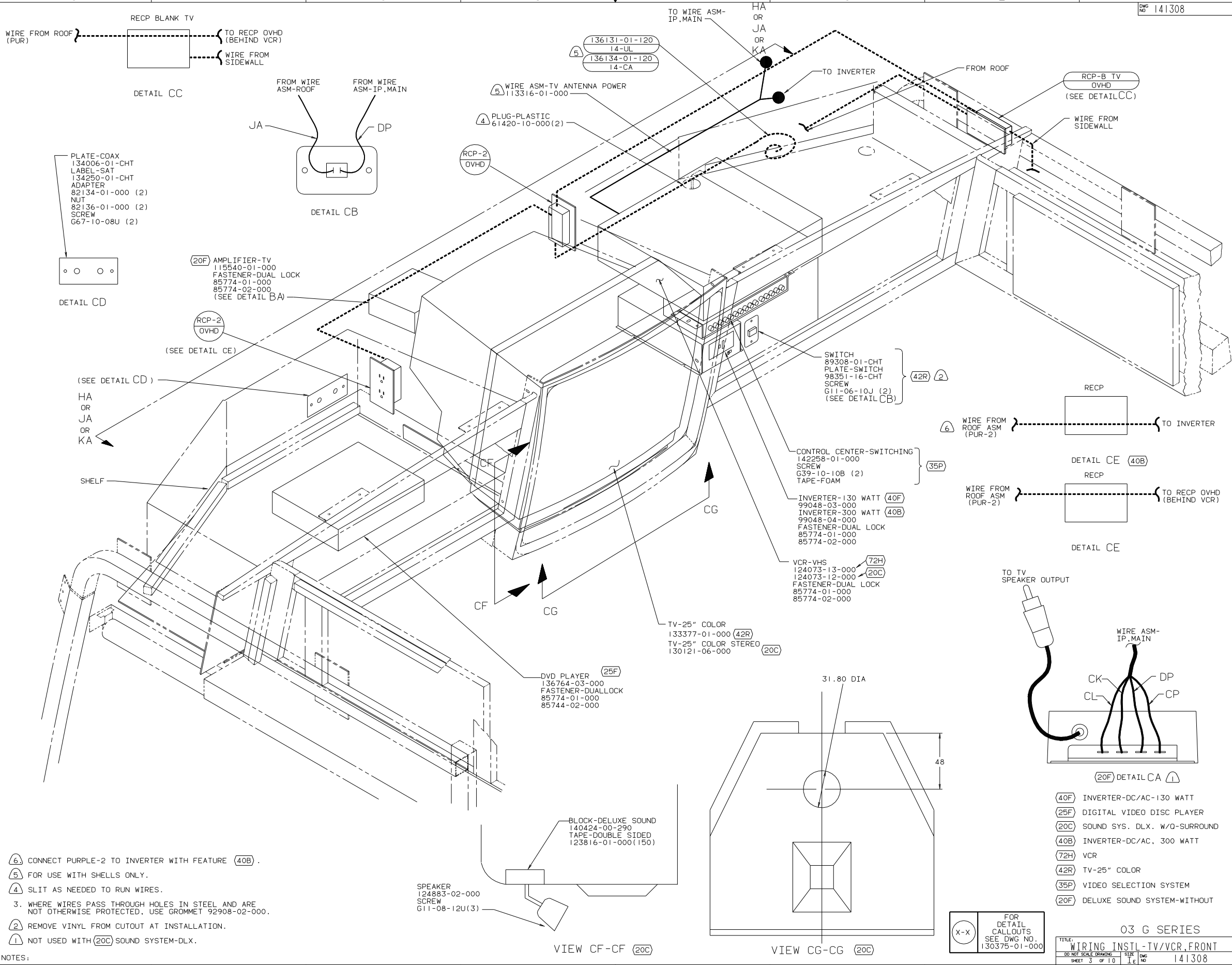
DANGER

Danger of electrical shock, burns or death. Always remove all power sources before attempting any repair, service or diagnostic work. Power can be present from shore power, generator, inverter or battery. All power sources must be disabled and secured before performing any service.



CAUTION

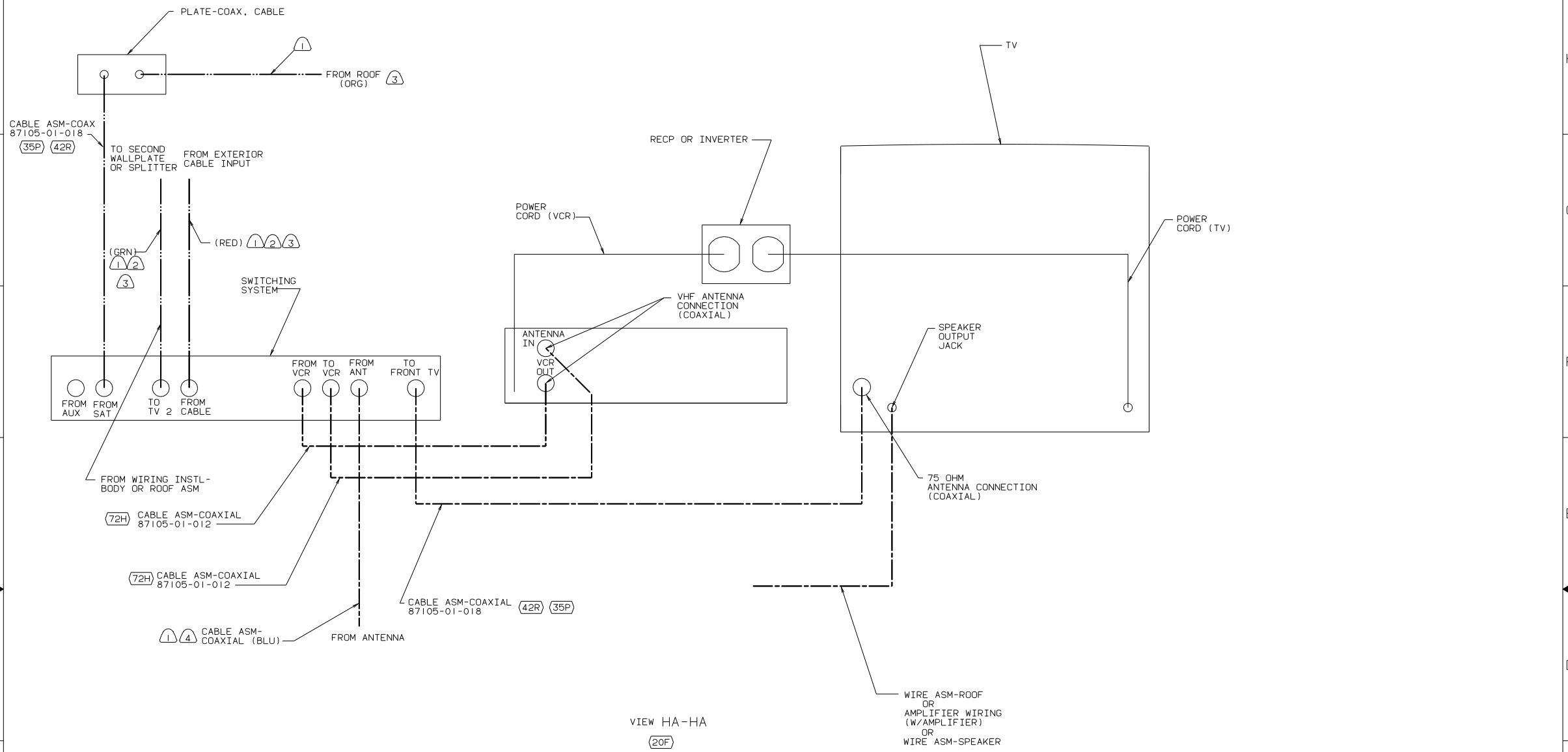
If you lack the skills, tools or equipment to perform diagnostic or repair work leave such work to an authorized Winnebago Industries dealer or other qualified shop.



- 6. CONNECT PURPLE-2 TO INVERTER WITH FEATURE (40B).
- 5. FOR USE WITH SHELLS ONLY.
- 4. SLIT AS NEEDED TO RUN WIRES.
- 3. WHERE WIRES PASS THROUGH HOLES IN STEEL AND ARE NOT OTHERWISE PROTECTED, USE GROMMET 92908-02-000.
- 2. REMOVE VINYL FROM CUTOUT AT INSTALLATION.
- 1. NOT USED WITH (20C) SOUND SYSTEM-DLX.

NOTES:

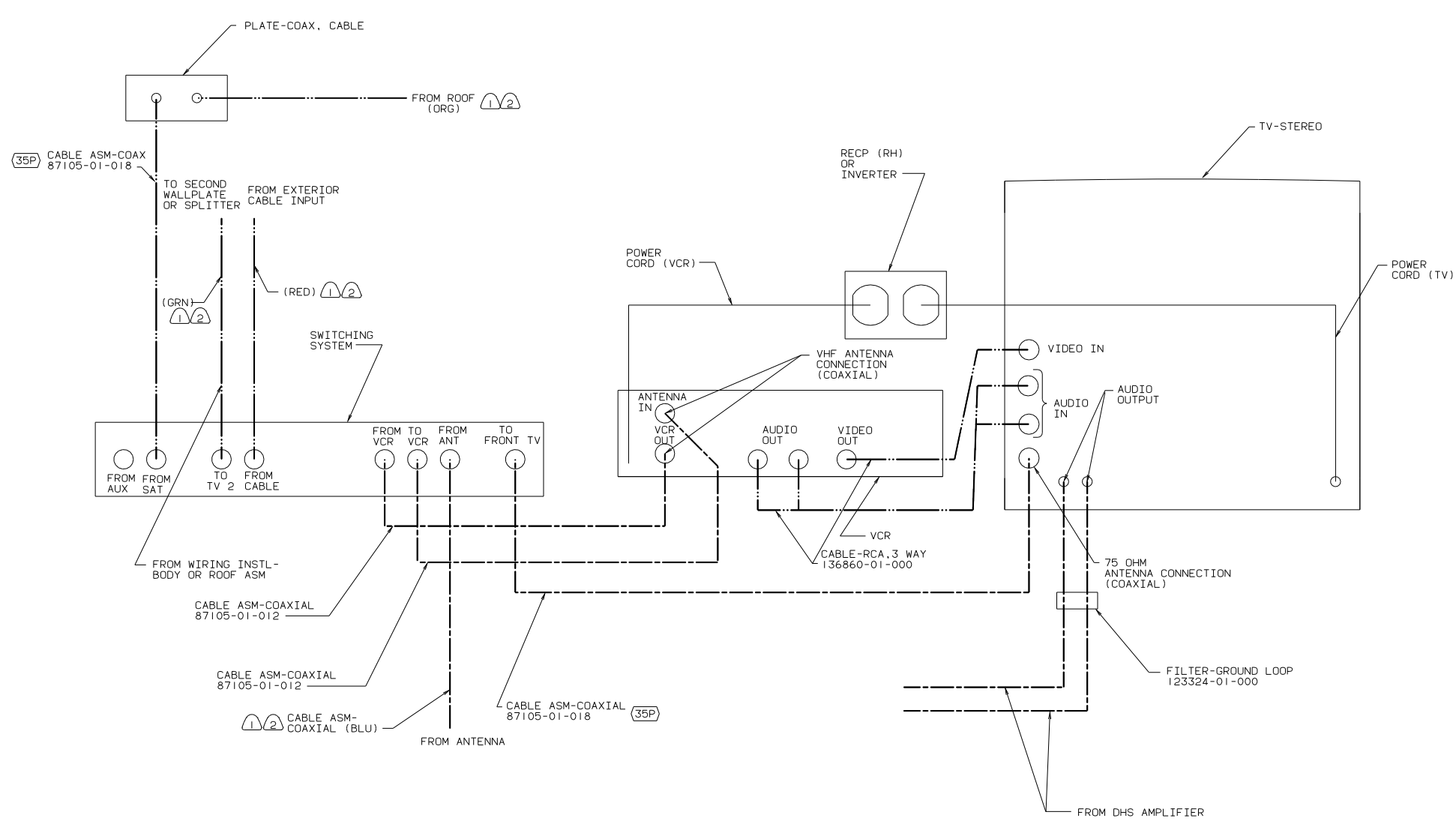
(X-X)
 FOR DETAIL CALLOUTS SEE DWG NO. 130375-01-000



- NOTES:
- ③ CABLE ROUTED IN ROOF
 - ② NOT USED ON SHELL.
 - ① CABLE ASM MARKED WITH COLORED TAPE.

- ③5P VIDEO SELECTION SYSTEM
- ②0F DELUXE SOUND SYSTEM-WITHOUT
- ⑦2H VCR
- ④2R TV-25" COLOR
- ④0F INVERTER-DC/AC-130 WATT
- ④0B INVERTER-DC/AC. 300 WATT

TITLE: WIRING INSTL-TV/VCR,FRONT			
DD	NOT SCALE DRAWING	SIZ	NO
SHEET	6 OF 10	IE	NO 141308
07/23/02			



VIEW JA-JA
20C

- NOTES:
- ② CABLE ROUTED IN ROOF.
 - ① CABLE ASM MARKED WITH COLORED TAPE.

20C SOUND SYS. DLX. W/O-SURROUND
 35P VIDEO SELECTION SYSTEM

TITLE		WIRING INSTL-TV/VCR,FRONT	
DD	NOT SCALE DRAWING	SIZ	NO
SHEET	7 OF 10	IE	NO
			141308
			07/23/02

