



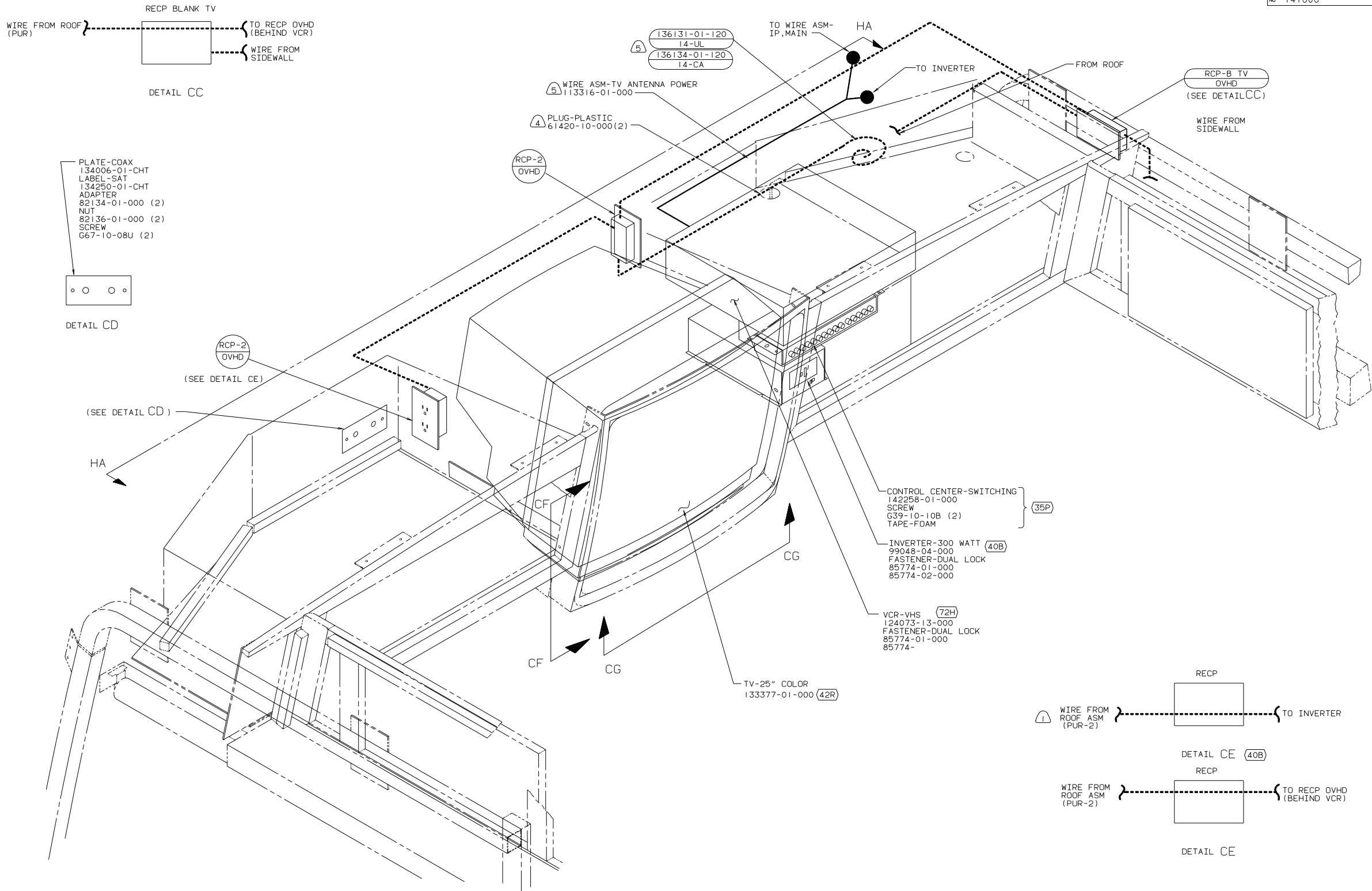
DANGER

Danger of electrical shock, burns or death. Always remove all power sources before attempting any repair, service or diagnostic work. Power can be present from shore power, generator, inverter or battery. All power sources must be disabled and secured before performing any service.

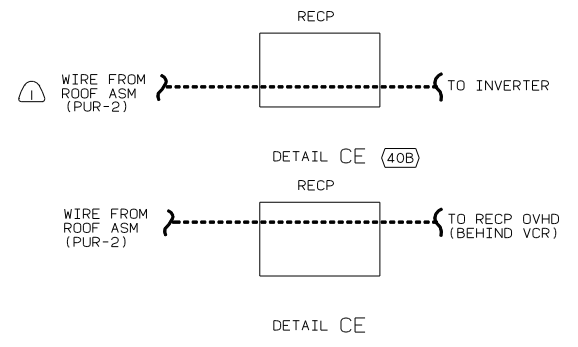


CAUTION

If you lack the skills, tools or equipment to perform diagnostic or repair work leave such work to an authorized Winnebago Industries dealer or other qualified shop.

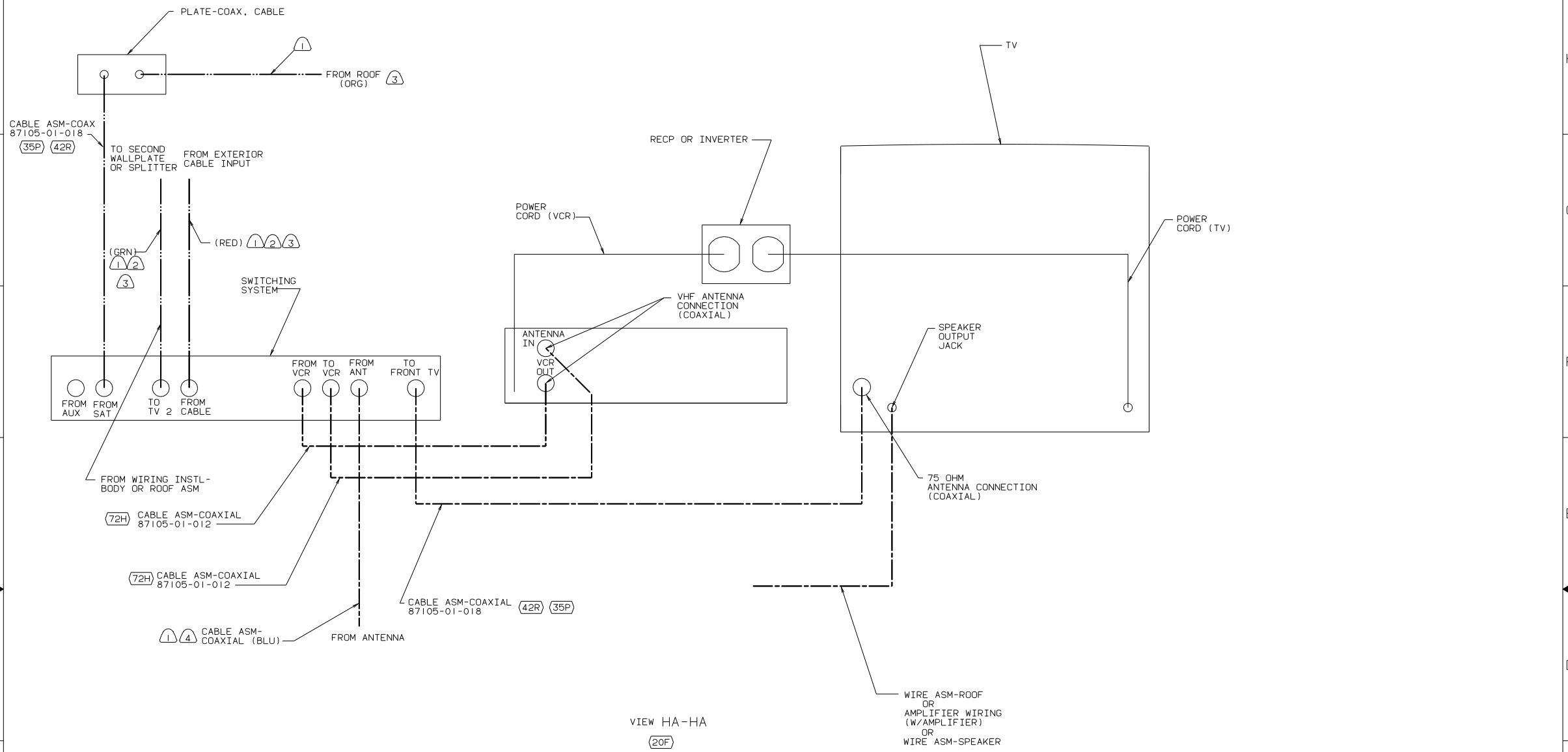


- NOTES:
- 5 FOR USE WITH SHELLS ONLY.
 - 4 SLIT AS NEEDED TO RUN WIRES.
 - 3. WHERE WIRES PASS THROUGH HOLES IN STEEL AND ARE NOT OTHERWISE PROTECTED, USE GROMMET 92908-02-000.
 - 2 REMOVE VINYL FROM CUTOUT AT INSTALLATION.
 - 1 CONNECT PURPLE-2 TO INVERTER WITH FEATURE 40B.



- 42R TV-25" COLOR
- 40B INVERTER-DC/AC, 300 WATT
- 35P VIDEO SELECTION SYSTEM
- 72H VCR

FOR
DETAIL
CALLOUTS
SEE DWG NO.
130375-01-000



VIEW HA-HA
(20F)

- NOTES:
- (3) CABLE ROUTED IN ROOF
 - (2) NOT USED ON SHELL.
 - (1) CABLE ASM MARKED WITH COLORED TAPE.

- (35P) VIDEO SELECTION SYSTEM
- (20F) DELUXE SOUND SYSTEM-WITHOUT
- (72H) VCR
- (42R) TV-25" COLOR
- (40F) INVERTER-DC/AC-130 WATT
- (40B) INVERTER-DC/AC. 300 WATT

TITLE: WIRING INSTL-TV/VCR,FRONT			
DD	NOT SCALE DRAWING	SIZ	DWG NO
SHEET	6 OF 10	IE	141308
07/23/02			