



DANGER

Danger of electrical shock, burns or death. Always remove all power sources before attempting any repair, service or diagnostic work. Power can be present from shore power, generator, inverter or battery. All power sources must be disabled and secured before performing any service.

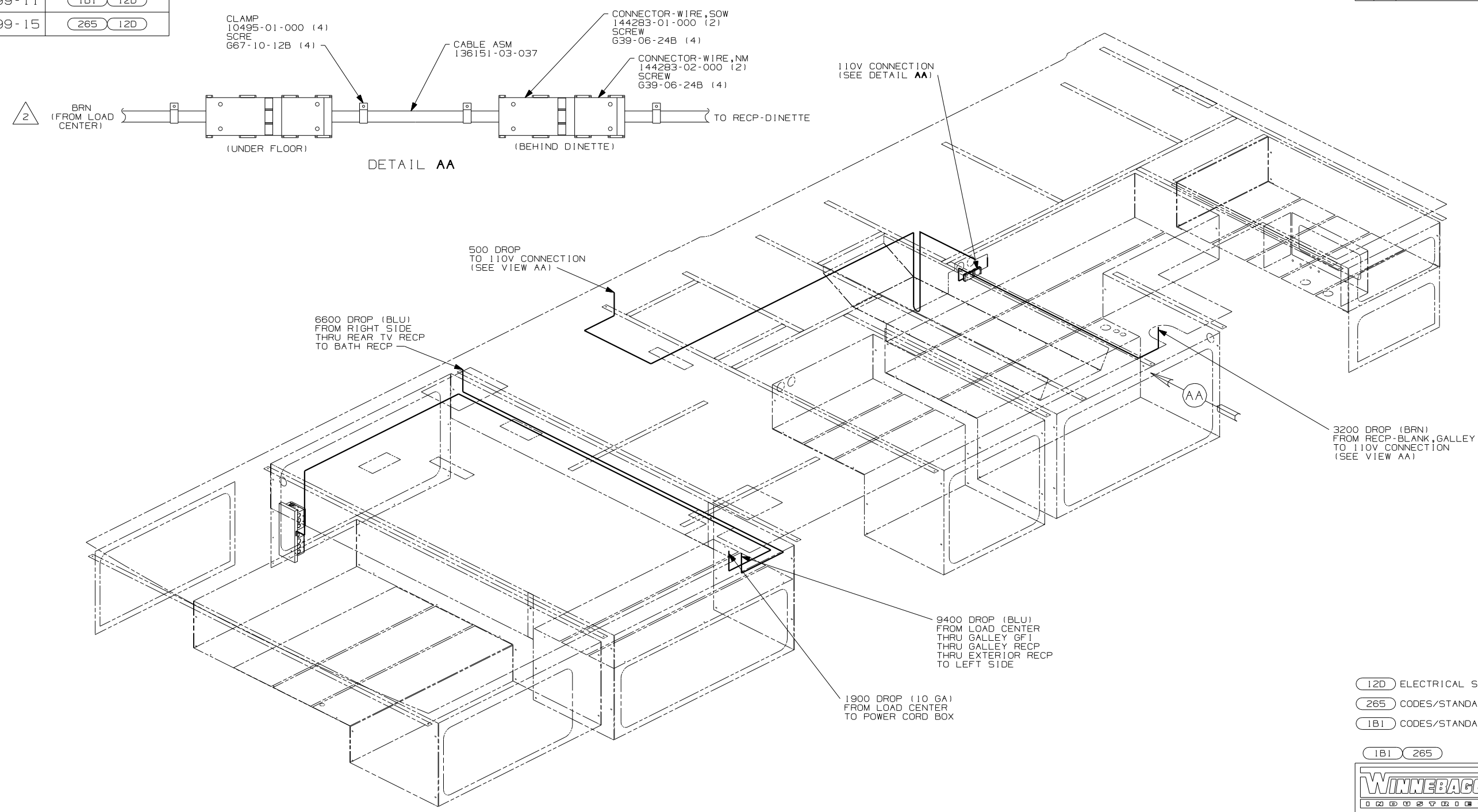


CAUTION

If you lack the skills, tools or equipment to perform diagnostic or repair work leave such work to an authorized Winnebago Industries dealer or other qualified shop.

DWG NO	FEATURE
141299-11	(1B1) (12D)
141299-15	(265) (12D)

RELEASE	REV DATE A	DWG NO 141299
REV ZONE	REVISION RECORD	DATE DFR-ORIG



DETAIL AA

- (12D) ELECTRICAL SYSTEM 30 AMP
- (265) CODES/STANDARDS-CSA/CMVSS
- (1B1) CODES/STANDARDS USA

(1B1) (265)

WINNEBAGO COPYRIGHT 2003 WINNEBAGO INDUSTRIES, INC.

DFTR	ORIG. DATE
CHKR	ALL DIMENSIONS ARE IN MILLIMETERS
P.E.	FIRST USED
M.E.	03 D30B
DSNR	

UNSPECIFIED TOLERANCES ARE: MATERIAL:

WHOLE DIM (X)	: 1
ONE-PLACE (X.X)	: 1.5
TWO-PLACE (X.XX)	: 0.50
ANGLE	: 1°

THIRD ANGLE PROJECTION

DO NOT SCALE DRAWING

TITLE: WIRING INSTL-BODY, 110V

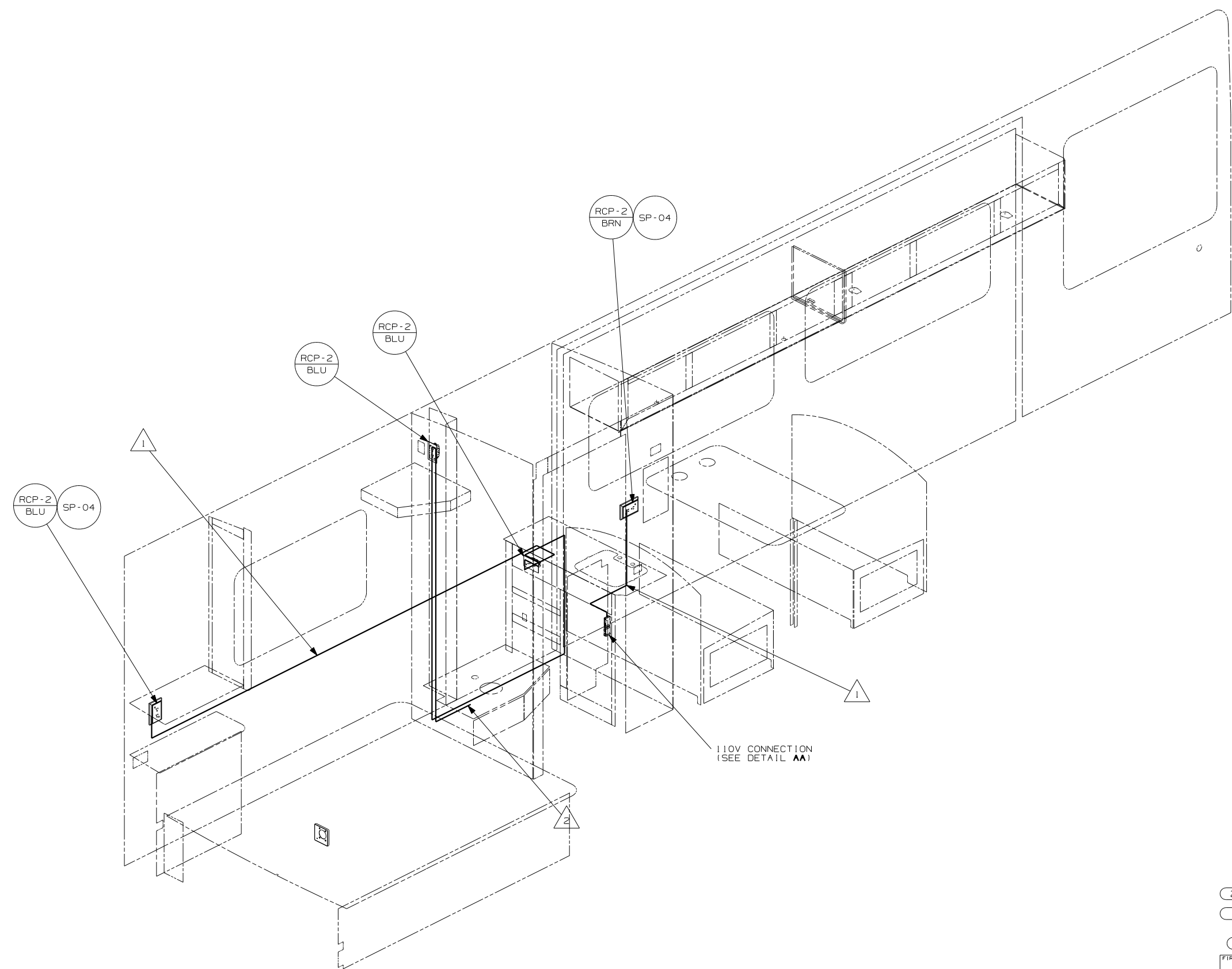
SHEET 1 OF 3 PART NO 141299

REF: 138704 1 02/28/03

CONNECTOR-WIRE, NM IS INSTALLED ON THIS CIRCUIT IN 110V WIRE PREP.
1. WIRES ROUTED UNDER FLOOR.

FOR ELECTRICAL TORQUE SPECIFICATIONS SEE DWG NO. 128783-01-000	FOR ELECTRICAL CALLOUTS SEE DWG NO. 121339-01-000
--	---

NOTES:



△ 2 WIRE ROUTES THRU FLOOR IN THIS AREA.
 △ 1 WIRE ROUTED IN SIDEWALL
 NOTES:

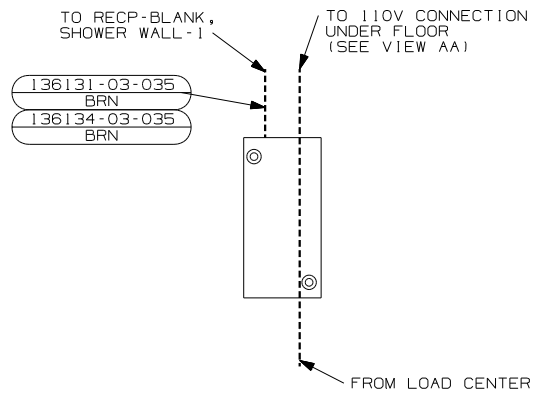
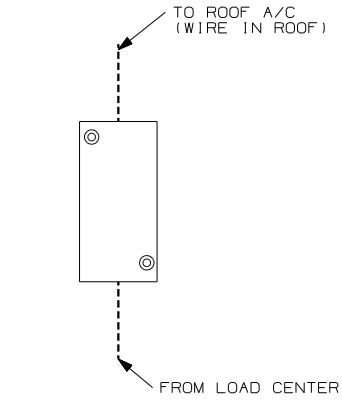
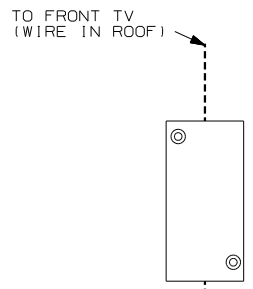
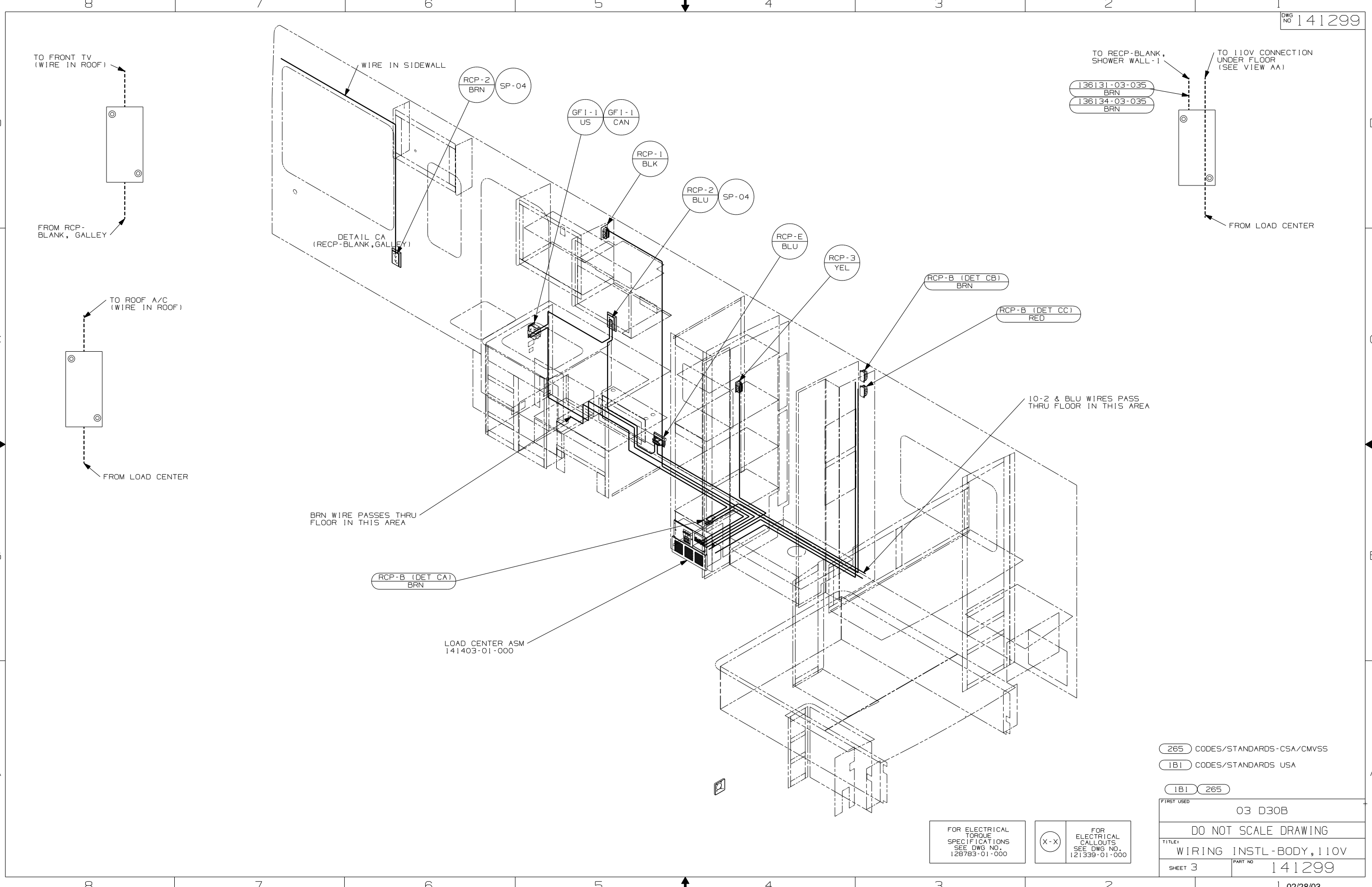
FOR ELECTRICAL TORQUE SPECIFICATIONS SEE DWG NO. 128783-01-000

(X-X) FOR ELECTRICAL CALLOUTS SEE DWG NO. 121339-01-000

(265) CODES/STANDARDS - CSA/CMVSS
 (1B1) CODES/STANDARDS USA

(1B1) (265)

FIRST USED	03 D30B
DO NOT SCALE DRAWING	
TITLE:	WIRING INSTL - BODY, 110V
SHEET 2	PART NO 141299



RCP-B (DET CA) BRN

LOAD CENTER ASM 141403-01-000

BRN WIRE PASSES THRU FLOOR IN THIS AREA

10-2 & BLU WIRES PASS THRU FLOOR IN THIS AREA

RCP-B (DET CB) BRN

RCP-B (DET CC) RED

RCP-3 YEL

RCP-E BLU

RCP-2 BLU SP-04

RCP-1 BLK

GFI-1 US

GFI-1 CAN

RCP-2 BRN SP-04

FOR ELECTRICAL TORQUE SPECIFICATIONS SEE DWG NO. 128783-01-000

(X-X) FOR ELECTRICAL CALLOUTS SEE DWG NO. 121339-01-000

265 CODES/STANDARDS-CSA/CMVSS

1B1 CODES/STANDARDS USA

1B1 265

FIRST USED	03 D30B
DO NOT SCALE DRAWING	
TITLE:	WIRING INSTL-BODY, 110V
SHEET 3	PART NO 141299