



**DANGER**

**Danger of electrical shock, burns or death.** Always remove all power sources before attempting any repair, service or diagnostic work. Power can be present from shore power, generator, inverter or battery. All power sources must be disabled and secured before performing any service.



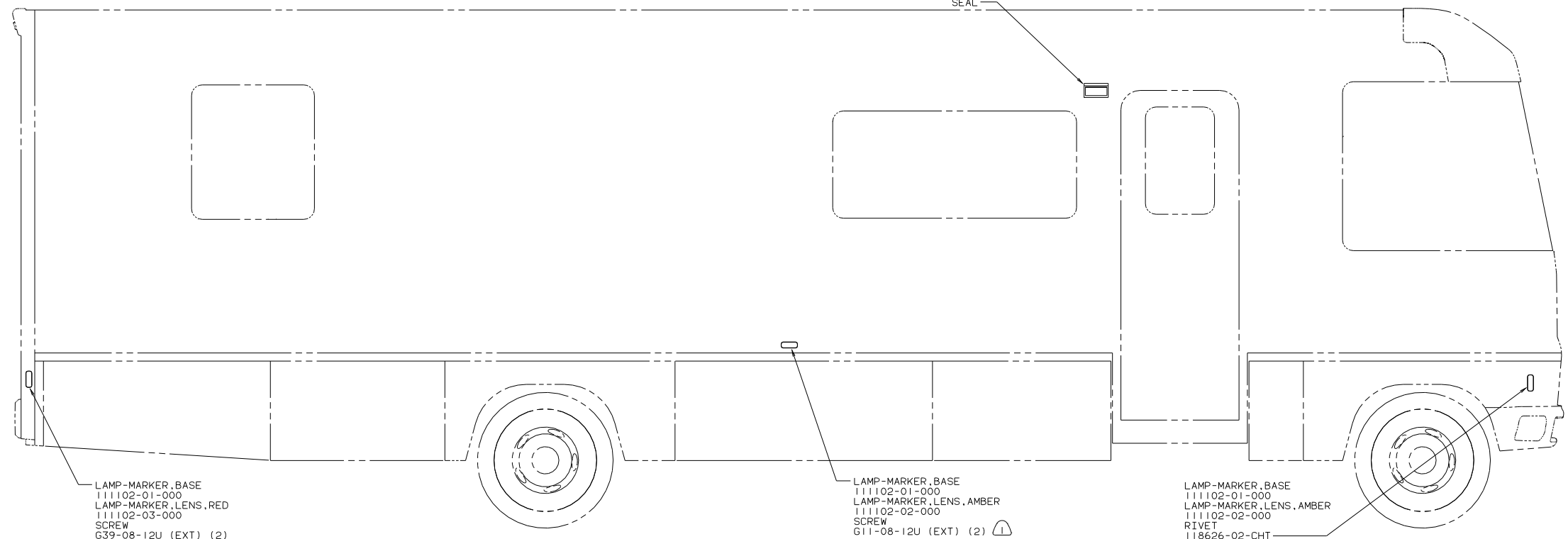
**CAUTION**

If you lack the skills, tools or equipment to perform diagnostic or repair work leave such work to an authorized Winnebago Industries dealer or other qualified shop.

DWG NO	MODEL
137864-01	D30B & D33L
137864-02	D27C

RELEASE	REV	DATE	BY	TR	ADM	NO	41302
REV ZONE	REVISION RECORD			DATE			

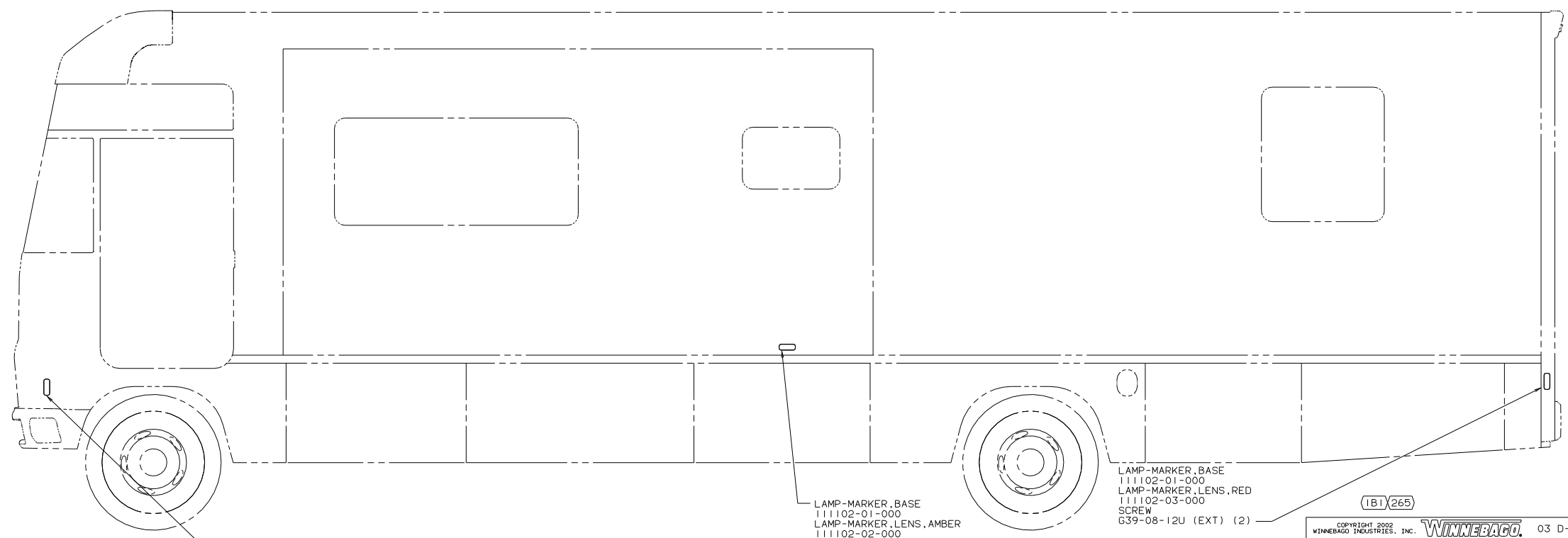
LEXT-1  
LEXT-2CA  
SEAL



LAMP-MARKER, BASE  
111102-01-000  
LAMP-MARKER, LENS, RED  
111102-03-000  
SCREW  
G39-08-12U (EXT) (2)

LAMP-MARKER, BASE  
111102-01-000  
LAMP-MARKER, LENS, AMBER  
111102-02-000  
SCREW  
G11-08-12U (EXT) (2) ⚠

LAMP-MARKER, BASE  
111102-01-000  
LAMP-MARKER, LENS, AMBER  
111102-02-000  
RIVET  
118626-02-CHT



LAMP-MARKER, BASE  
111102-01-000  
LAMP-MARKER, LENS, AMBER  
111102-02-000  
RIVET  
118626-02-CHT

LAMP-MARKER, BASE  
111102-01-000  
LAMP-MARKER, LENS, AMBER  
111102-02-000  
SCREW  
G11-08-12U (EXT) (2) ⚠

LAMP-MARKER, BASE  
111102-01-000  
LAMP-MARKER, LENS, RED  
111102-03-000  
SCREW  
G39-08-12U (EXT) (2)

(IB1)265

⚠ NOT USED ON D27C

(265) CODES/STANDARDS-CSA/CMVSS  
(IB1) CODES/STANDARDS USA

COPYRIGHT 2002 WINNEBAGO INDUSTRIES, INC.		<b>WINNEBAGO</b>		03 D-SERIES
DATE	UNSPECIFIED TOLERANCES ARE:	MATERIAL:		
DATE	WHOLE DIM (XX)	+		
DATE	ONE-PLACE (X,XX)	+		
DATE	TWO-PLACE (X.XX)	+		
DATE	ANGLE	+		
DATE	THIRD ANGLE PROJECTION	Ⓢ		
LAYOUT NO		TITLE: WIRING INSTL-EXTERIOR LAMPS		
DIA ⌀	SCALE: NONE	DO NOT SCALE DRAWING	SHEET 1 OF 3	DWG NO 141302
ALL DIMENSIONS ARE IN MILLIMETERS				

LAMP-MARKER, BASE  
111102-01-000 (5)  
LAMP-MARKER, LENS, AMBER  
111102-02-000 (5)  
SCREW  
G11-08-12U (EXT) (10)  
CONNECTOR  
58028-01-000 (10)

WIRE ASM-CLEARANCE LAMPS  
129943-01-000

WIRE ASM-CLEARANCE LAMPS, RR  
132085-02-000

LAMP-MARKER, BASE  
111102-01-000 (5)  
LAMP-MARKER, LENS, RED  
111102-03-000 (5)  
SCREW  
G11-08-12U (EXT) (10)  
CONNECTOR  
58028-01-000 (10)

2 PIN HOUSING  
TO WIRE ASM-CLEARANCE LAMPS

2 PIN HOUSING  
TO WIRE ASM-  
IP, MAIN

CHASSIS HOUSING  
TO CHASSIS HEADLAMP  
CONNECTOR

LAMP HOUSING  
TO HIGH  
BEAM LAMP

LAMP HOUSING  
TO LOW/HIGH  
BEAM LAMP

TO LEFT SIDE  
MARKER LAMP

LAMP HOUSING  
TO LEFT OUTER  
TURN SIGNAL

LAMP HOUSING  
TO LEFT INNER  
TURN SIGNAL

LAMP HOUSING  
TO HIGH  
BEAM LAMP

LAMP HOUSING  
TO LOW/HIGH  
BEAM LAMP

TO RIGHT SIDE  
MARKER LAMP

LAMP HOUSING  
TO RIGHT OUTER  
TURN SIGNAL

LAMP HOUSING  
TO RIGHT INNER  
TURN SIGNAL

RING TERMINAL  
TO GROUND BOLT

RING TERMINAL  
TO GROUND BOLT

LAMP-LICENSE PLATE  
87201-01-000  
SCREW  
G11-06-12U (EXT) (2)

FOR ROUTING  
(SEE DETAIL CA)

LAMP ASM-BRAKE  
136916-01-000  
SCREW  
G11-08-20T (2)  
CONNECTOR  
58028-01-000 (2)  
BLK/WHT TO YEL  
BLK TO WHT

LIGHT ASM-STOP/TAIL/BACKUP  
SCREW  
G11-08-12U (EXT) (8)  
(SEE DETAIL CC)

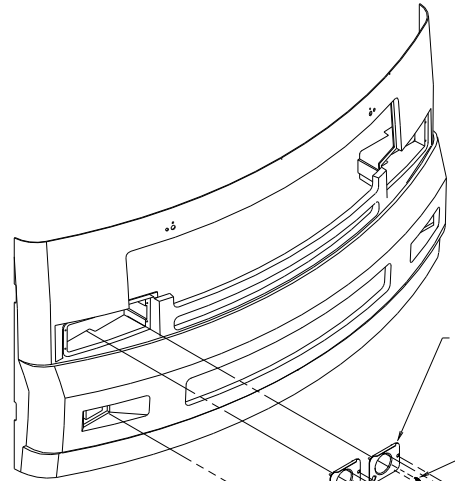


PLATE ASM-HEADLAMP  
110690-01-XXX(RH)  
110690-02-XXX(LH)  
SCREW  
G39-08-06B (12)  
SPRING  
49359-01-000 (2)  
HEADLAMP  
49187-04-000(RH)  
49188-04-000(LH)  
SCREW ASM  
110750-01-000 (4)  
SCREW ASM  
110750-01-000 (4)  
HEADLAMP  
49185-04-000(RH)  
49186-04-000(LH)  
SPRING  
49359-01-000 (2)

LAMP ASM-TURN  
(GM CHASSIS SUPPLIED)  
(GM #916558) (2)  
084901-01-000  
NUT  
D39-04-00B (4)

PLATE ASM-HEADLAMP  
110690-01-XXX(RH)  
110690-02-XXX(LH)  
SCREW  
G39-08-06B (12)

LAMP HOUSING  
TO HIGH BEAM LAMP

LAMP HOUSING  
TO LOW/HIGH BEAM LAMP

TO RIGHT SIDE  
MARKER LAMP

WIRE ASM-HEADLAMP  
103784-01-000  
103784-21-000

LAMP HOUSING  
TO RIGHT OUTER  
TURN SIGNAL

LAMP HOUSING  
TO RIGHT INNER  
TURN SIGNAL

RING TERMINAL  
TO GROUND BOLT

3 SECURE WIRE ASM APPROX. EVERY 450 TO BATTERY CABLES AND BRACKETS.  
USE TIE-WIRE 8343-01-000 OR 93147-01-000 AS APPROPRIATE.

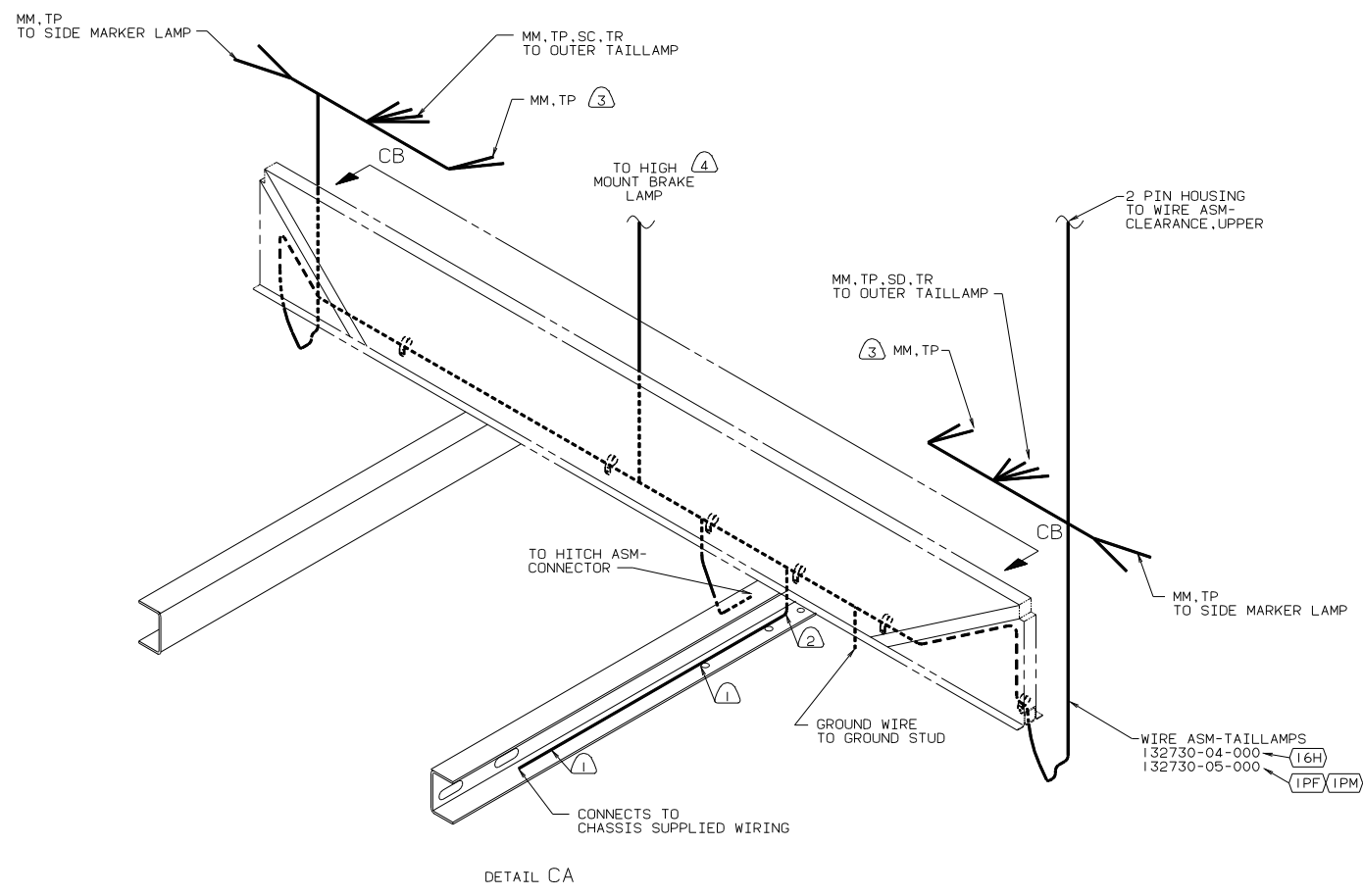
2 CLEAN PAINT OFF METAL (BOLT) BEFORE CONNECTING GROUND TO  
INSURE CONTACT. ALLSO MOUNT CHASSIS SUPPLIED HORN TO GROUND BOLT.

1. GATHER ALL EXCESS WIRE AFTER MAKING ALL CONNECTIONS AND BUNDLE  
AND SECURE WITH TIE-WIRE 8343-01-000 OR 93147-01-000.

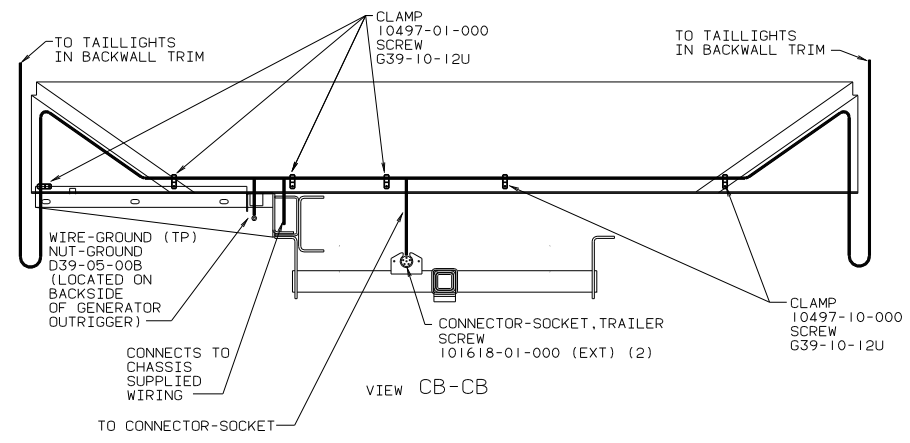
- (16H) FORD CHASSIS 18,000#/V10 ENG
- (1PF) WORKHORSE CH. 14,800LB. GVWR
- (1PM) WORKHORSE CHASSIS-18,000LB.
- (265) CODES/STANDARDS-CSA/CMVSS
- (IB1) CODES/STANDARDS USA
- (WIN) WINNEBAGO ONLY
- (ITA) ITASCA ONLY

(IB1)(265) 03 D-SERIES

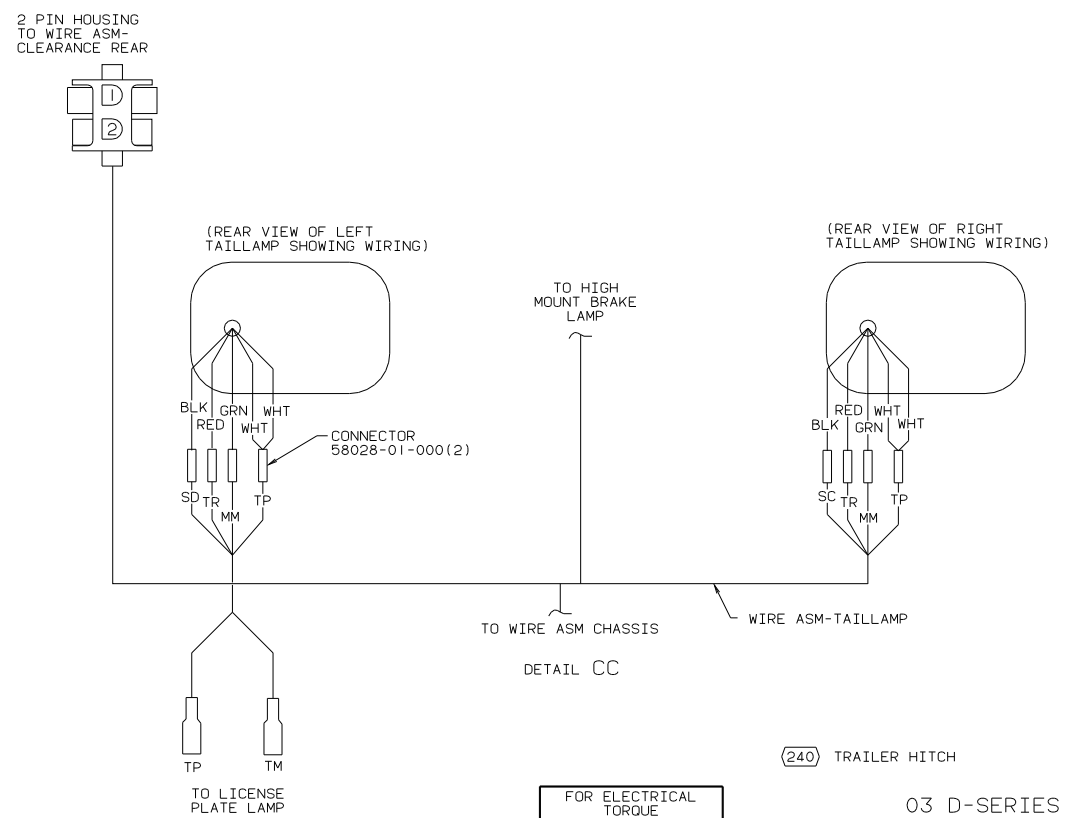
TITLE  
WIRING INSTL-EXTERIOR LAMPS  
DWG No 141302



DETAIL CA



VIEW CB-CB



DETAIL CC

- NOTES:
- (5) CONNECTOR-PLUG, TRAILER 113589-01-00 TO BE SUPPLIED IN COACH WITH (240)
  - (4) WIRE ROUTED THRU FLOOR AND BEHIND HEADBOARD.
  - (3) TIE BACK TO LOOM-NOT USED.
  - (2) WIRE TO BE ROUTED ON BACK SIDE OF RISER.
  - (1) WIRE TIE 8343-02. FASTEN TO FRAME AT LEAST ONCE EVERY 600MM.

FOR ELECTRICAL TORQUE SPECIFICATIONS SEE DWG NO. 128783-01-000

(240) TRAILER HITCH

TITLE		03 D-SERIES	
WIRING INSTL-EXTERIOR LAMPS			
DD	MT	SCALE	DRWING
SHEET	3	OF	3
SIZE		DWG	NO
		141302	
		DATE	07/23/02