

- 10. SECURE VENT TUBES TO FLOOR WITH BRACKET 95061-01-000 (2), CLAMP 62401-02-000 AND SCREW G67-10-12B (2).
- 9. VENT PIPE MUST PROJECT 51 MM MIN AND 64 MM MAX ABOVE ROOF FOR PROPER FIT AND FUNCTION.
- 8. TRIM P-TRAP EXTENSION TO FIT.
- 7. SEAL ALL AROUND SHOWER WITH SILICONE.
- 6. SEE DRAWING 61607-01-000 FOR INSTL OF GROMMETS.
- 5. SECURE PIPES TO CABINET USING WIRE TIE 108046-02-000 AND SCREW G67-10-12B (8).
- 4. ALL EXTERIOR OPENINGS AROUND PIPE TO BE SEALED WITH 110744-01-000.
- 3. ALL PIPE AND FITTINGS TO BE ASSEMBLED WITH SOLVENT 4020-01-000.
- 2. SLOPE OF TRAP ARM MUST BE 6 PER 305.
- 1. SLOPE OF HORIZONTAL PIPING TO BE 6 PER 305 MIN.

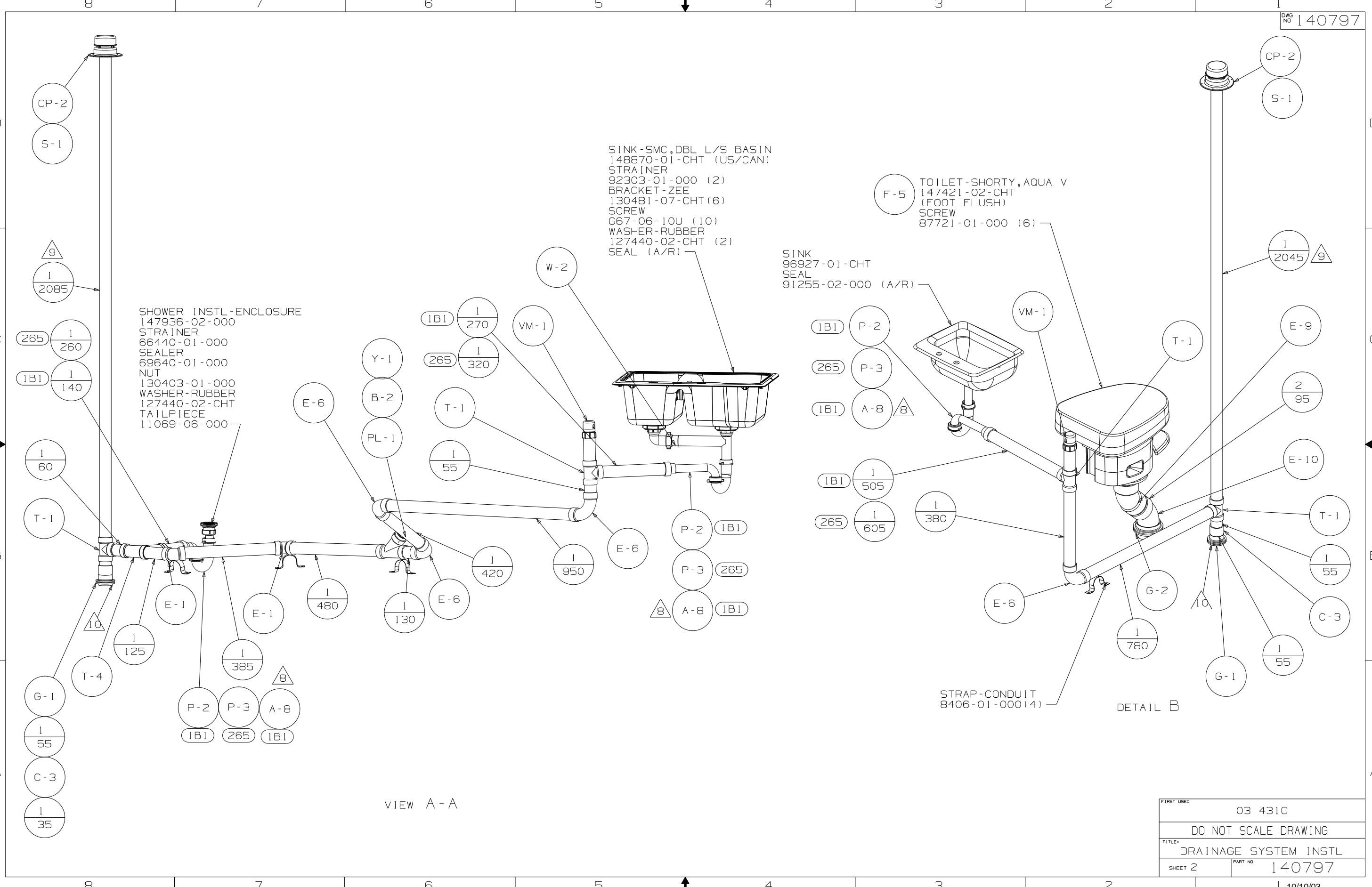
NOTES:

265 CODES/STDS-CSA/CMVSS
 1B1 CODES/STANDARDS-USA

WINNEBAGO		COPYRIGHT 2003 WINNEBAGO INDUSTRIES, INC.	
D/FR	ORIG. DATE	ALL DIMENSIONS ARE IN MILLIMETERS	
CHKR			
P.E.			
M.E.	FIRST USED	03 431C	
DSNR			
UNSPECIFIED TOLERANCES ARE:		MATERIAL:	
WHOLE DIM (X)	: 3		
ONE-PLACE (X.X)	:		
TWO-PLACE (X.XX)	:		
ANGLE	:		
THIRD ANGLE PROJECTION			
DO NOT SCALE DRAWING			
TITLE: DRAINAGE SYSTEM INSTL			
SHEET 1 OF 3	PART NO	140797	
REF: 138667 1 10/10/03			

FOR
DRAINAGE
CALLOUTS
SEE DWG NO
116229-01-000





SHOWER INSTL-ENCLOSURE
 147936-02-000
 STRAINER
 66440-01-000
 SEALER
 69640-01-000
 NUT
 130403-01-000
 WASHER-RUBBER
 127440-02-CHT
 TAILPIECE
 11069-06-000

SINK-SMC, DBL L/S BASIN
 148870-01-CHT (US/CAN)
 STRAINER
 92303-01-000 (2)
 BRACKET-ZEE
 130481-07-CHT (6)
 SCREW
 G67-06-10U (10)
 WASHER-RUBBER
 127440-02-CHT (2)
 SEAL (A/R)

F-5 TOILET-SHORTY, AQUA V
 147421-02-CHT
 (FOOT FLUSH)
 SCREW
 87721-01-000 (6)

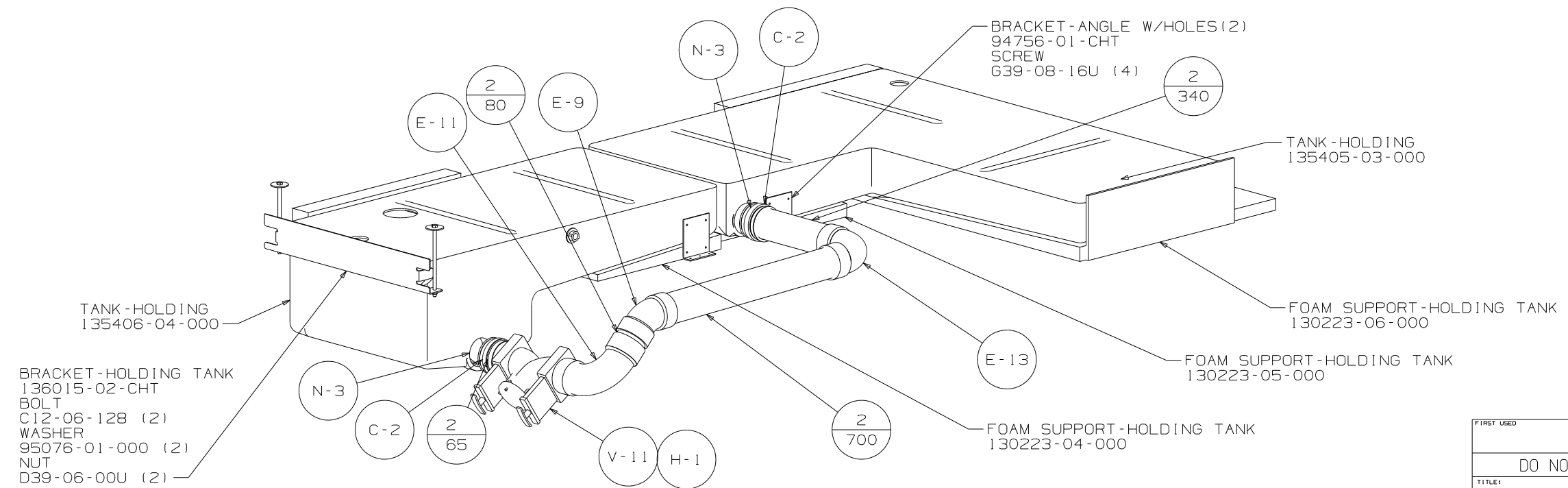
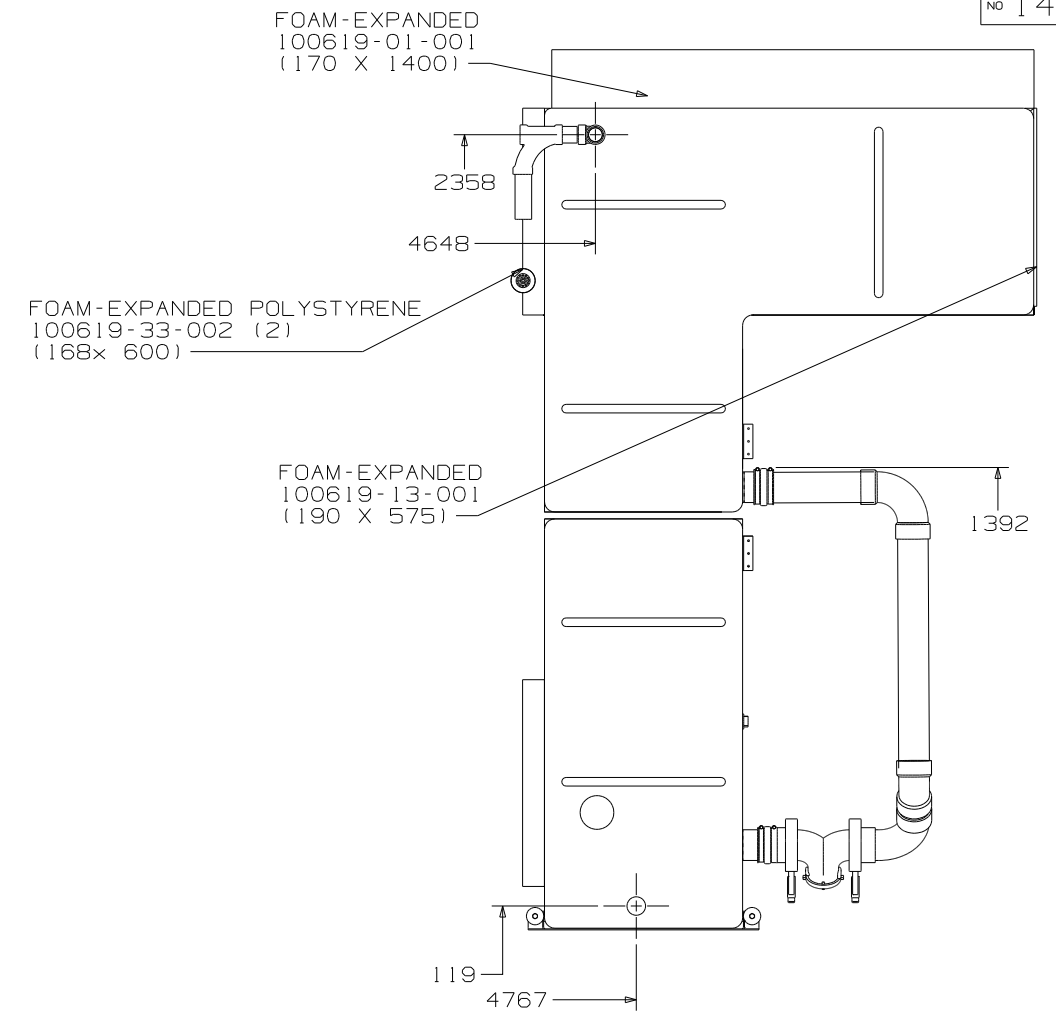
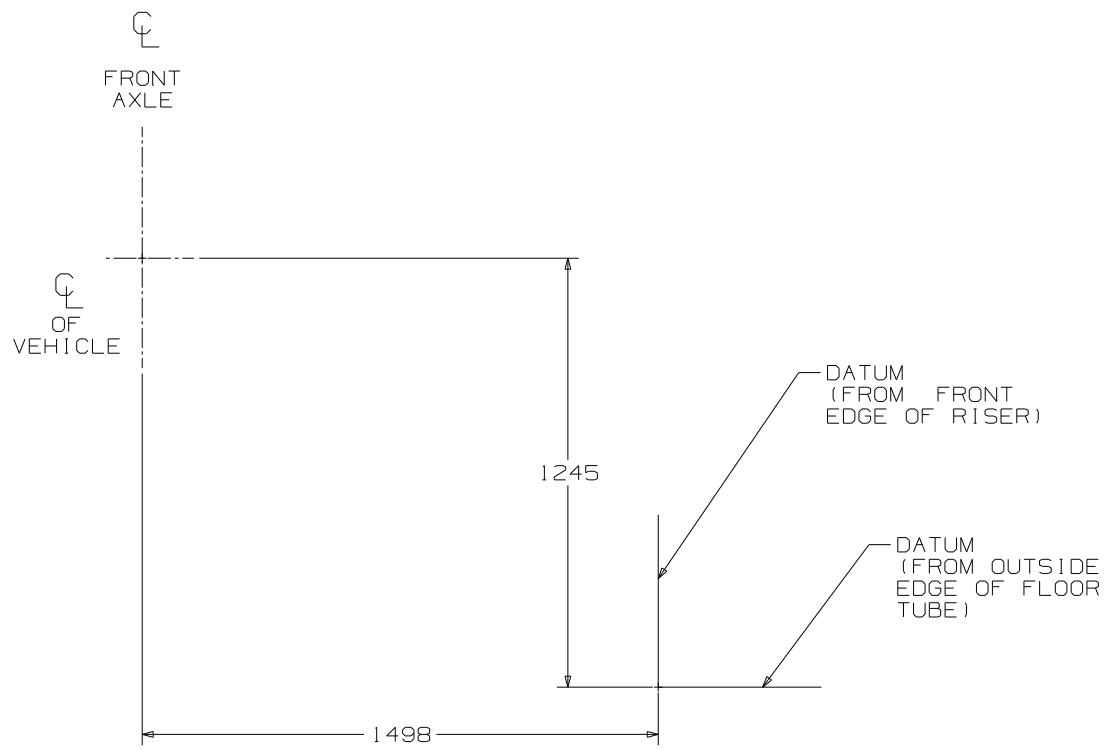
SINK
 96927-01-CHT
 SEAL
 91255-02-000 (A/R)

STRAP-CONDUIT
 8406-01-000 (4)

VIEW A-A

DETAIL B

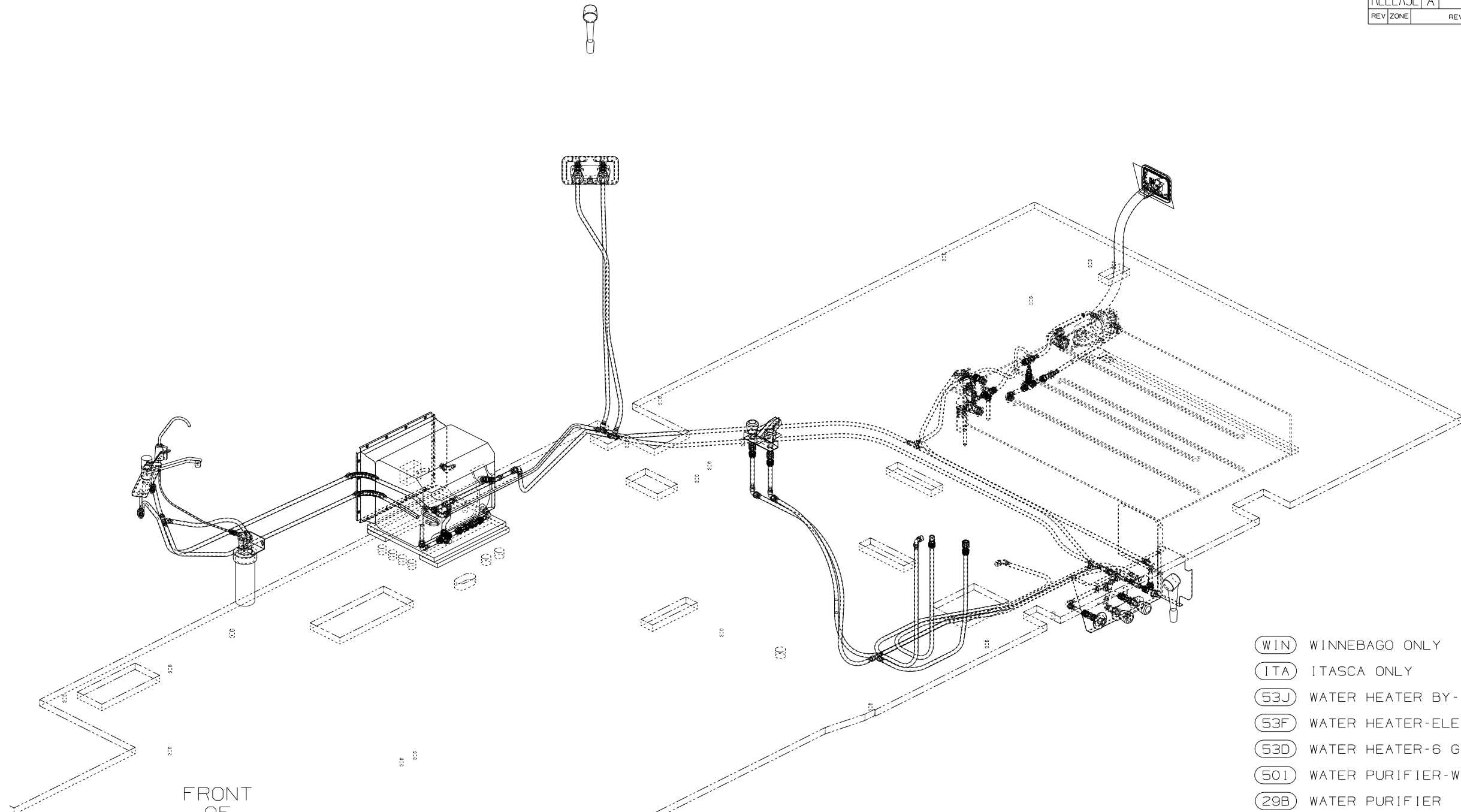
FIRST USED	03 431C
TITLE	DO NOT SCALE DRAWING
SHEET 2	DRAINAGE SYSTEM INSTL
PART NO	140797



FIRST USED	03 431C
DO NOT SCALE DRAWING	
TITLE	DRAINAGE SYSTEM INSTL
SHEET 3	PART NO 140797

8 7 6 5 4 3 2

RELEASE	REV DATE	DWG NO
A		140837
REV ZONE	REVISION RECORD	DATE DFR-ORIG



- (WIN) WINNEBAGO ONLY
- (ITA) ITASCA ONLY
- (53J) WATER HEATER BY-PASS VALVE
- (53F) WATER HEATER-ELEC IGN
- (53D) WATER HEATER-6 GAL/ELEC/LP/MTR AID
- (501) WATER PURIFIER-W/O
- (29B) WATER PURIFIER

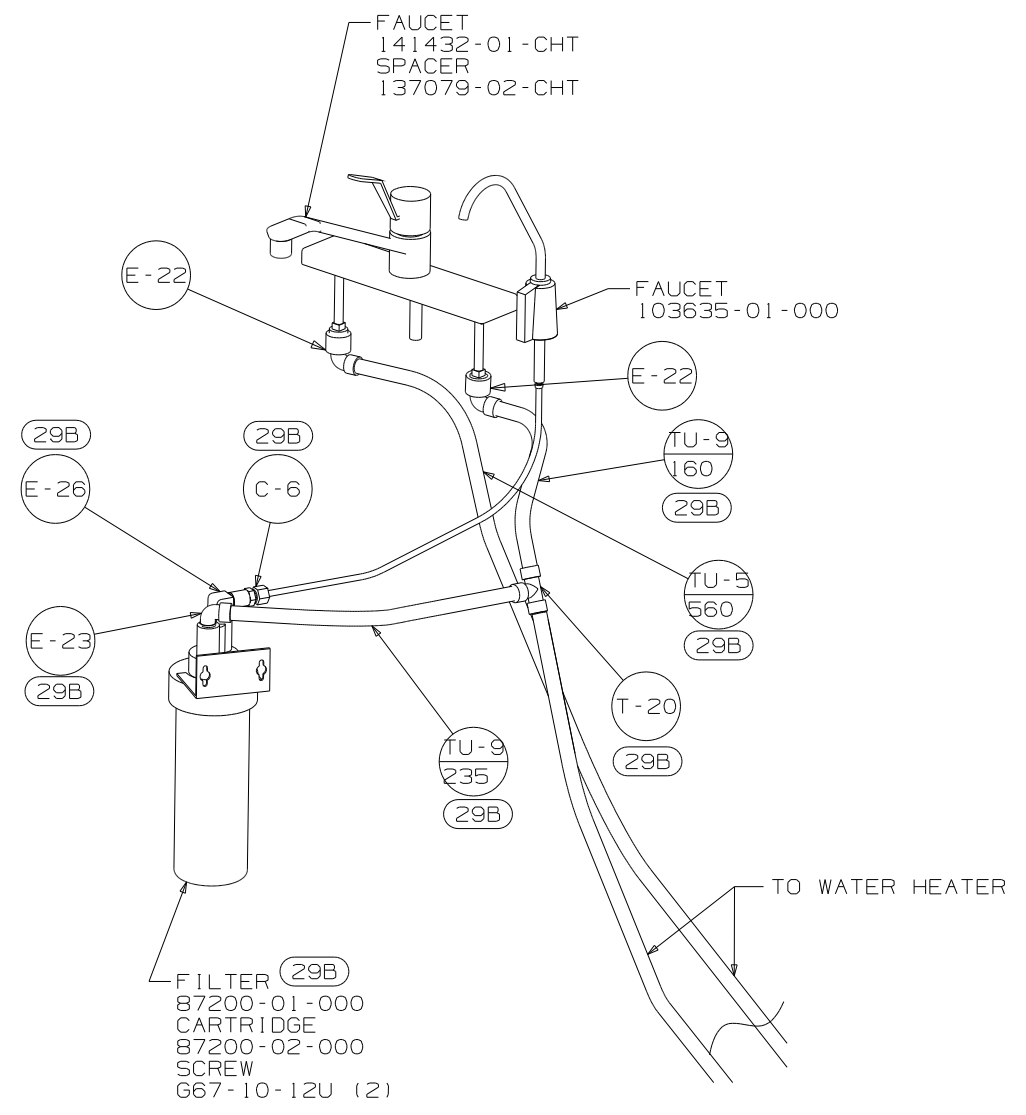
FRONT OF COACH

- NOTES:
- 5 ADD TEFLON TAPE 10405-02-000 TO FITTING.
 - 4 ADD TEFLON TAPE 10405-03-000 TO FITTING.
 - 3. ALL TUBING TO BE SECURED AT 1200 INTERVALS MAX WITH CLAMP 10495-01-000 OR CLIP 91951-01-000 AND SCREW G67-10-12B.
 - 2. TUBING TO BE INSTALLED WITH SUFFICIENT SLOPE TO PROVIDE DRAINAGE TO NEAREST VALVE.
 - 1. PLASTIC FITTINGS TO BE SEALED WITH SEALANT 84456-01-000.

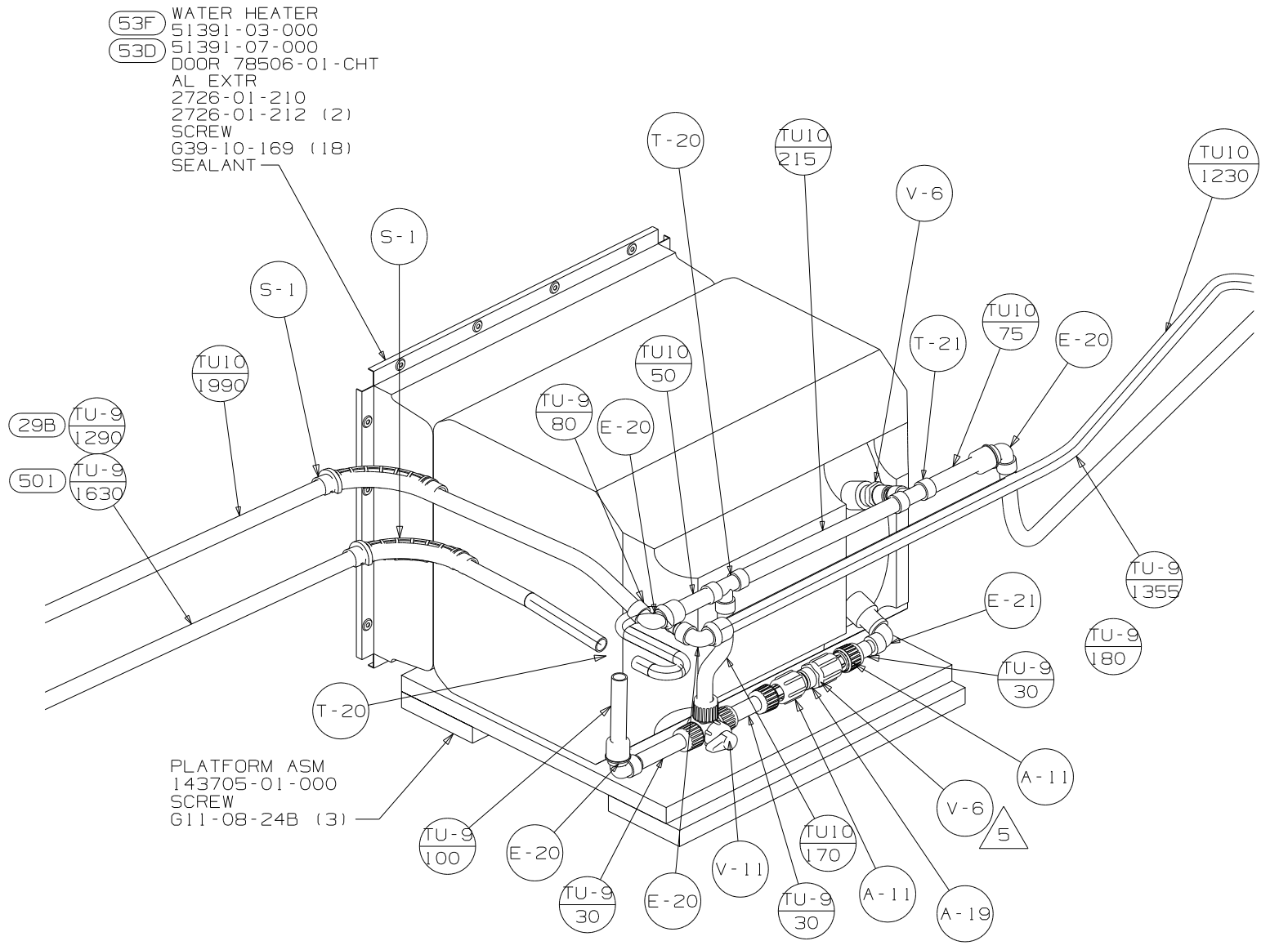
X-X
FOR WATER CALLOUTS SEE DWG NO. 116230-01-000

WINNEBAGO		COPYRIGHT 2002 WINNEBAGO INDUSTRIES, INC.	
DFTR	ORIG. DATE	ALL DIMENSIONS ARE IN MILLIMETERS	
CHKR			
P.E.			
M.E.	FIRST USED	03 431C	
DSNR			
UNSPECIFIED TOLERANCES ARE:		MATERIAL:	
WHOLE DIM (X)	:		
ONE-PLACE (X.X)	:		
TWO-PLACE (X.XX)	:		
ANGLE	:		
THIRD ANGLE PROJECTION			
DO NOT SCALE DRAWING			
TITLE: WATER SYSTEM INSTL			
SHEET 1 OF 4	PART NO	140837	

8 7 6 5 4 3 2

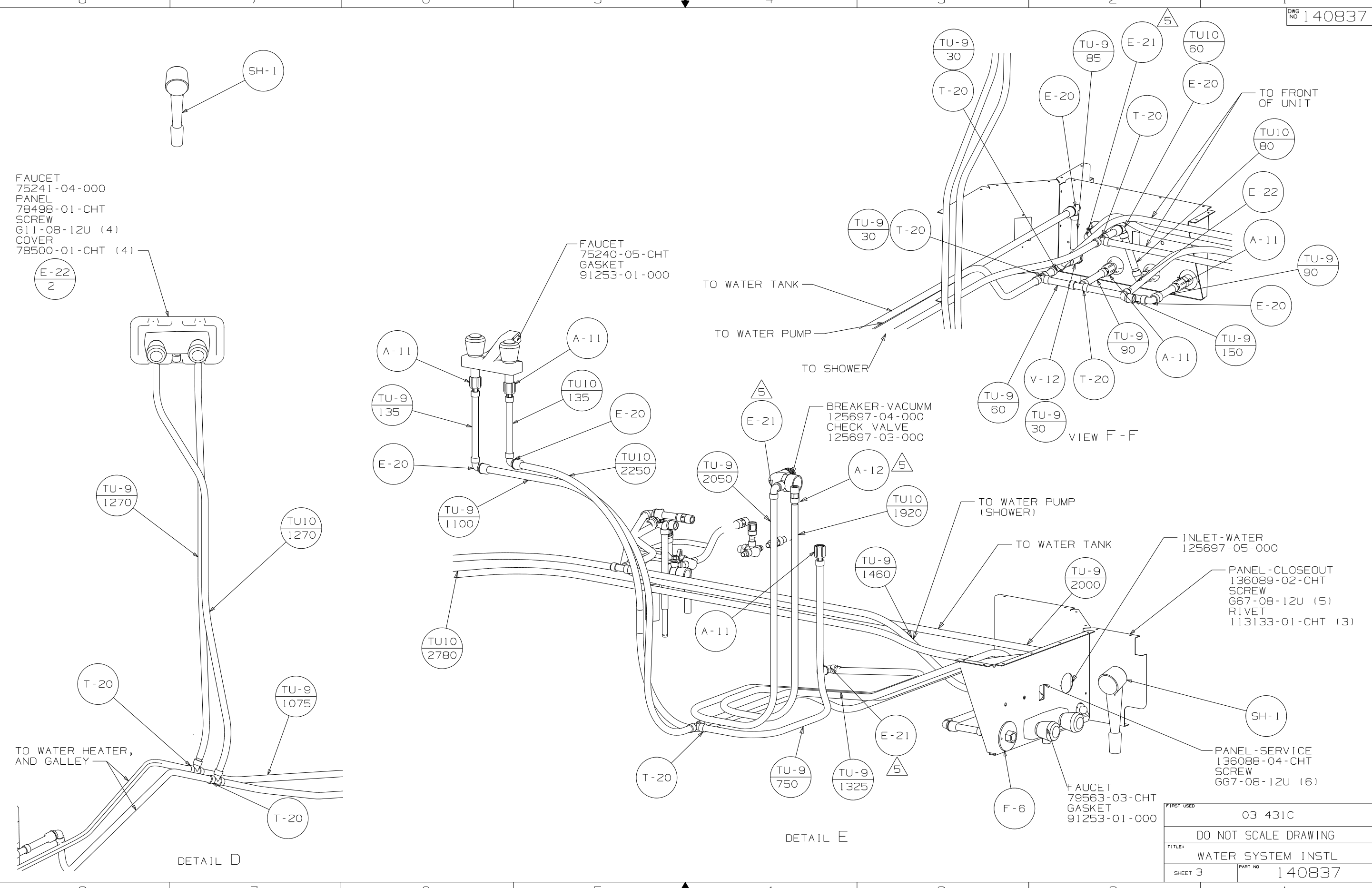


VIEW C-C



DETAIL B

FIRST USED	03 431C
DO NOT SCALE DRAWING	
TITLE	WATER SYSTEM INSTL
SHEET 2	PART NO 140837



FAUCET
75241-04-000
PANEL
78498-01-CHT
SCREW
G11-08-12U (4)
COVER
78500-01-CHT (4)

FAUCET
75240-05-CHT
GASKET
91253-01-000

BREAKER-VACUMM
125697-04-000
CHECK VALVE
125697-03-000

FAUCET
79563-03-CHT
GASKET
91253-01-000

FIRST USED	03 431C
DO NOT SCALE DRAWING	
TITLE:	WATER SYSTEM INSTL
SHEET 3	PART NO 140837

DETAIL D

DETAIL E

VIEW F-F

