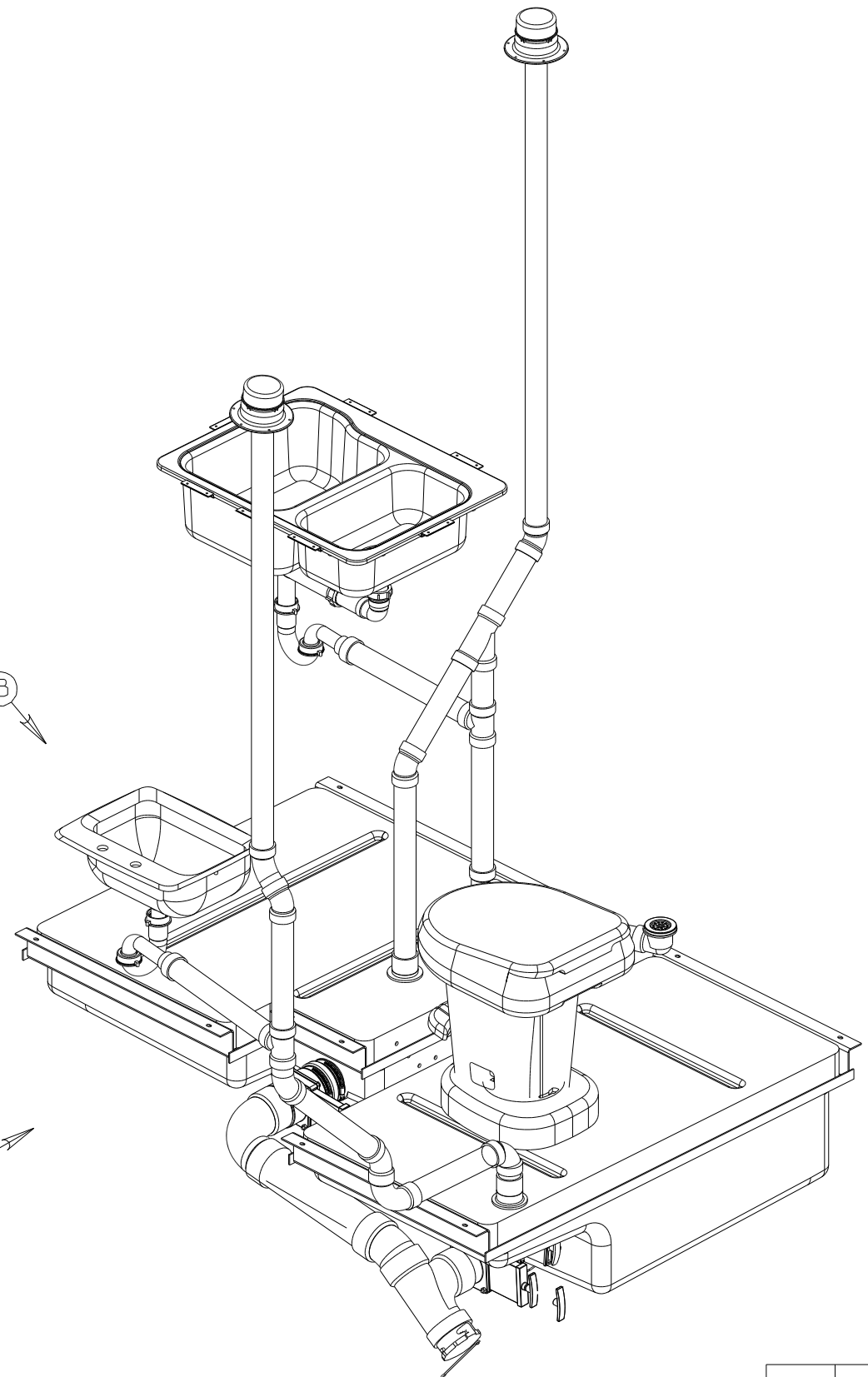


4823-2957



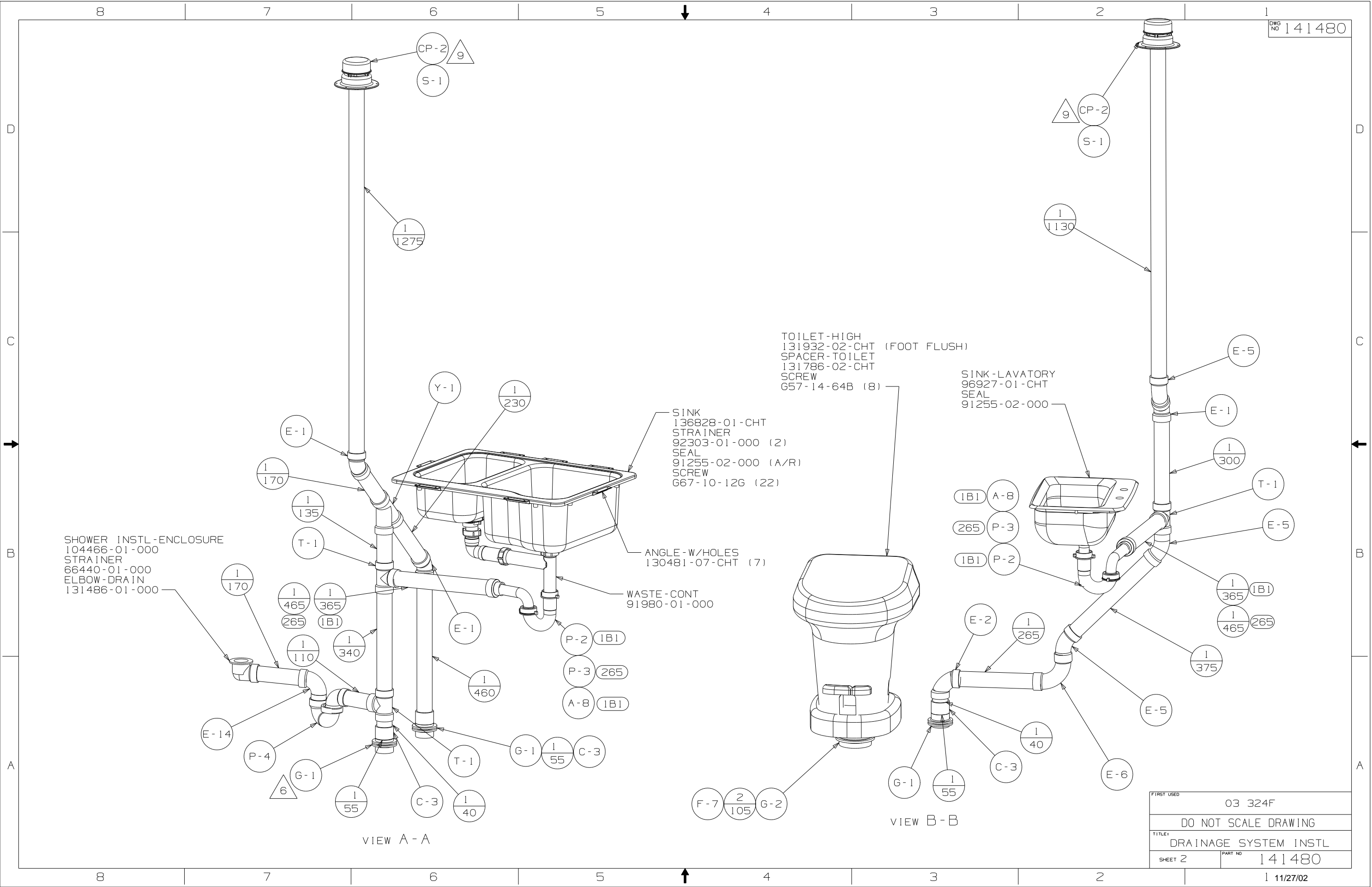
9. VENT PIPE MUST PROJECT 51 MM MIN AND 64 MM MAX ABOVE ROOF FOR PROPER FIT AND FUNCTION.
8. SEE DRAWING 61607-01-000 FOR INSTL OF GROMMETS.
7. SEAL ALL AROUND SHOWER WITH SILICONE.
6. SECURE VENT TUBES TO FLOOR WITH CLAMP 62401-02-000 (3); SCREW G67-10-12B (3); AND BRACKET 136878-01-CHT (3).
5. SECURE PIPES TO CABINET USING WIRE TIE 108046-02-000 AND SCREW G67-10-12B (8).
4. ALL EXTERIOR OPENINGS AROUND PIPE TO BE SEALED WITH 110744-01-000.
3. ALL PIPE AND FITTINGS TO BE ASSEMBLED WITH SOLVENT 4020-01-000.
2. SLOPE OF TRAP ARM MUST BE 6 PER 305.
1. SLOPE OF HORIZONTAL PIPING TO BE 6 PER 305 MIN.

NOTES:

- (1B1) CODES/STANDARDS-USA
- (265) CODES/STDS-CSA/CMVSS
- (23T) HEATED HOLDING TANKS

<b>WINNEBAGO</b>		COPYRIGHT 2002 WINNEBAGO INDUSTRIES, INC.	
DFTR	ORIG. DATE	ALL DIMENSIONS ARE IN MILLIMETERS	
CHKR		FIRST USED	
P.E.		03 324F	
M.E.		UNSPECIFIED TOLERANCES ARE:	
DSNR		MATERIAL:	
		WHOLE DIM (X) :	3
		ONE-PLACE (X.X) :	
		TWO-PLACE (X.XX) :	
		ANGLE :	
		THIRD ANGLE PROJECTION	
DO NOT SCALE DRAWING			
TITLE: DRAINAGE SYSTEM INSTL			
SHEET 1 OF 3	PART NO	141480	
REF: 137592 1 11/27/02			

(X-X)  
FOR  
DRAINAGE  
CALLOUTS  
SEE DWG NO.  
116229-01-000



SHOWER INSTL-ENCLOSURE  
 104466-01-000  
 STRAINER  
 66440-01-000  
 ELBOW-DRAIN  
 131486-01-000

SINK  
 136828-01-CHT  
 STRAINER  
 92303-01-000 (2)  
 SEAL  
 91255-02-000 (A/R)  
 SCREW  
 667-10-126 (22)

TOILET-HIGH  
 131932-02-CHT (FOOT FLUSH)  
 SPACER-TOILET  
 131786-02-CHT  
 SCREW  
 G57-14-64B (8)

SINK-LAVATORY  
 96927-01-CHT  
 SEAL  
 91255-02-000

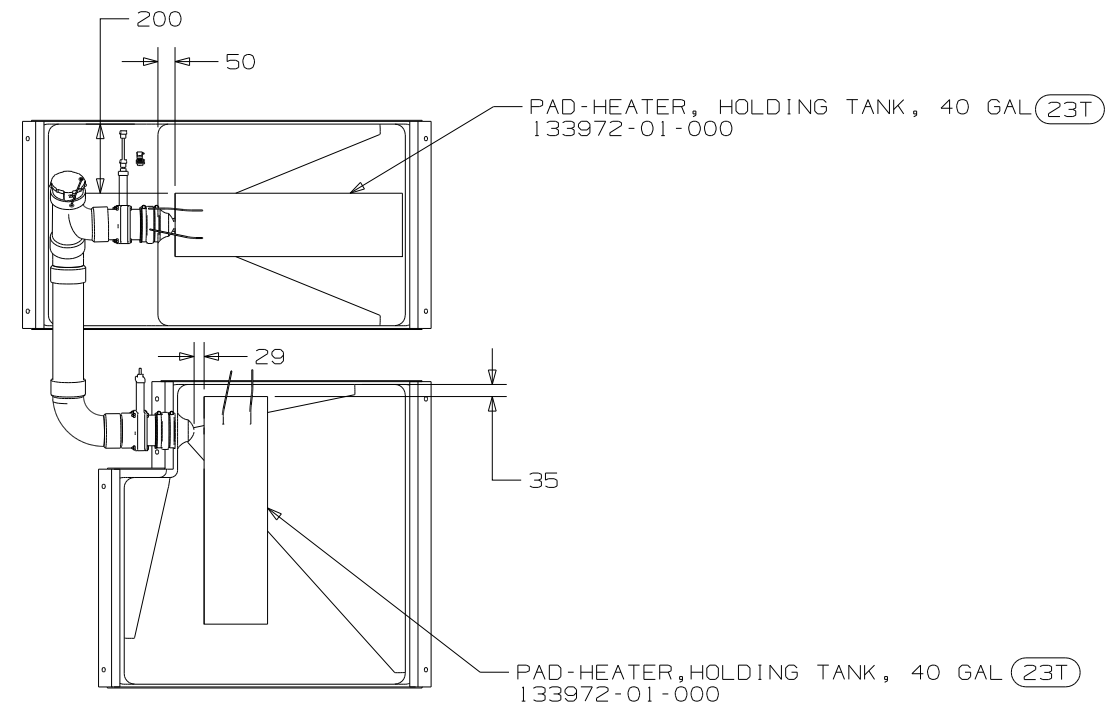
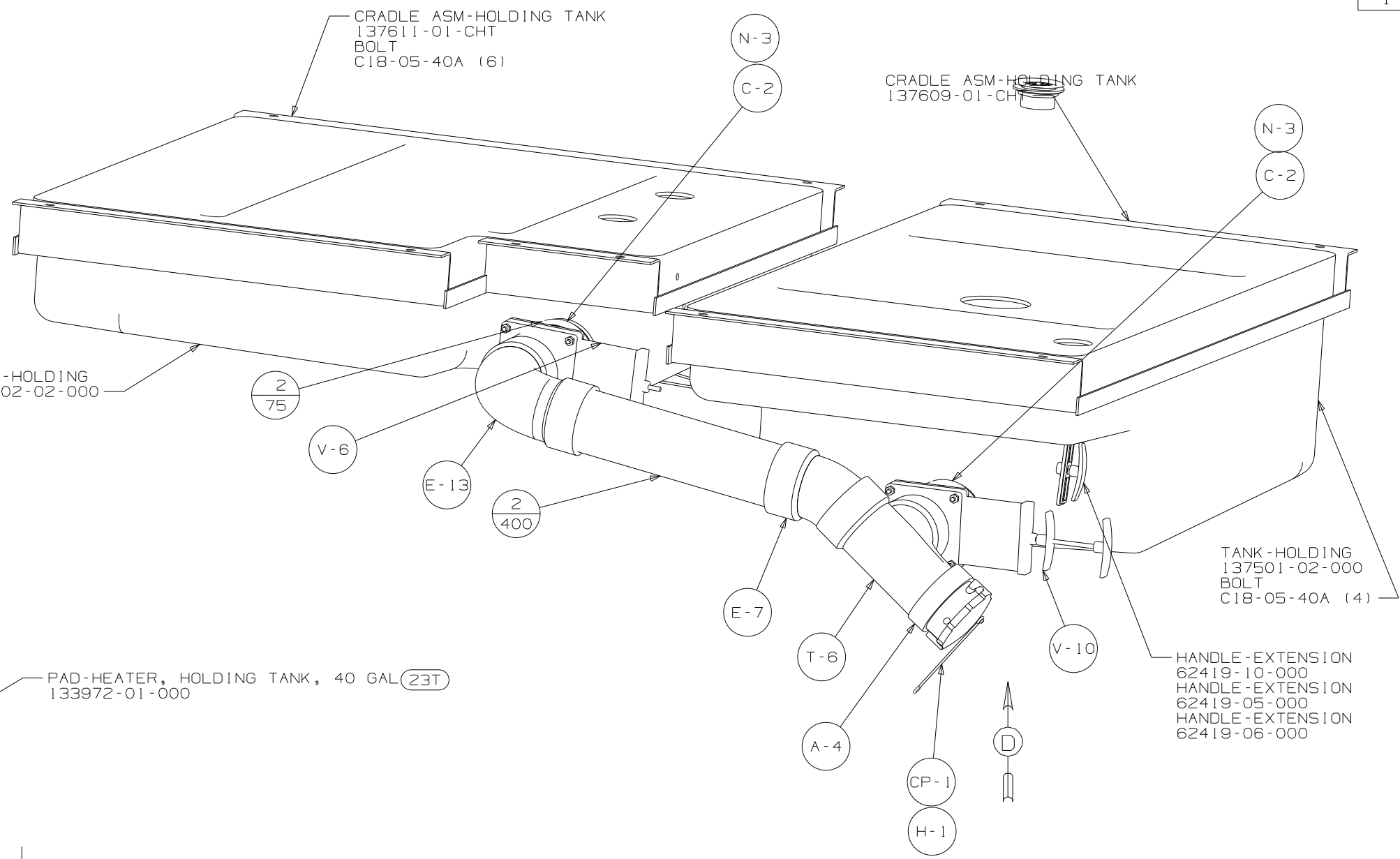
ANGLE-W/HOLES  
 130481-07-CHT (7)

WASTE-CONT  
 91980-01-000

VIEW A-A

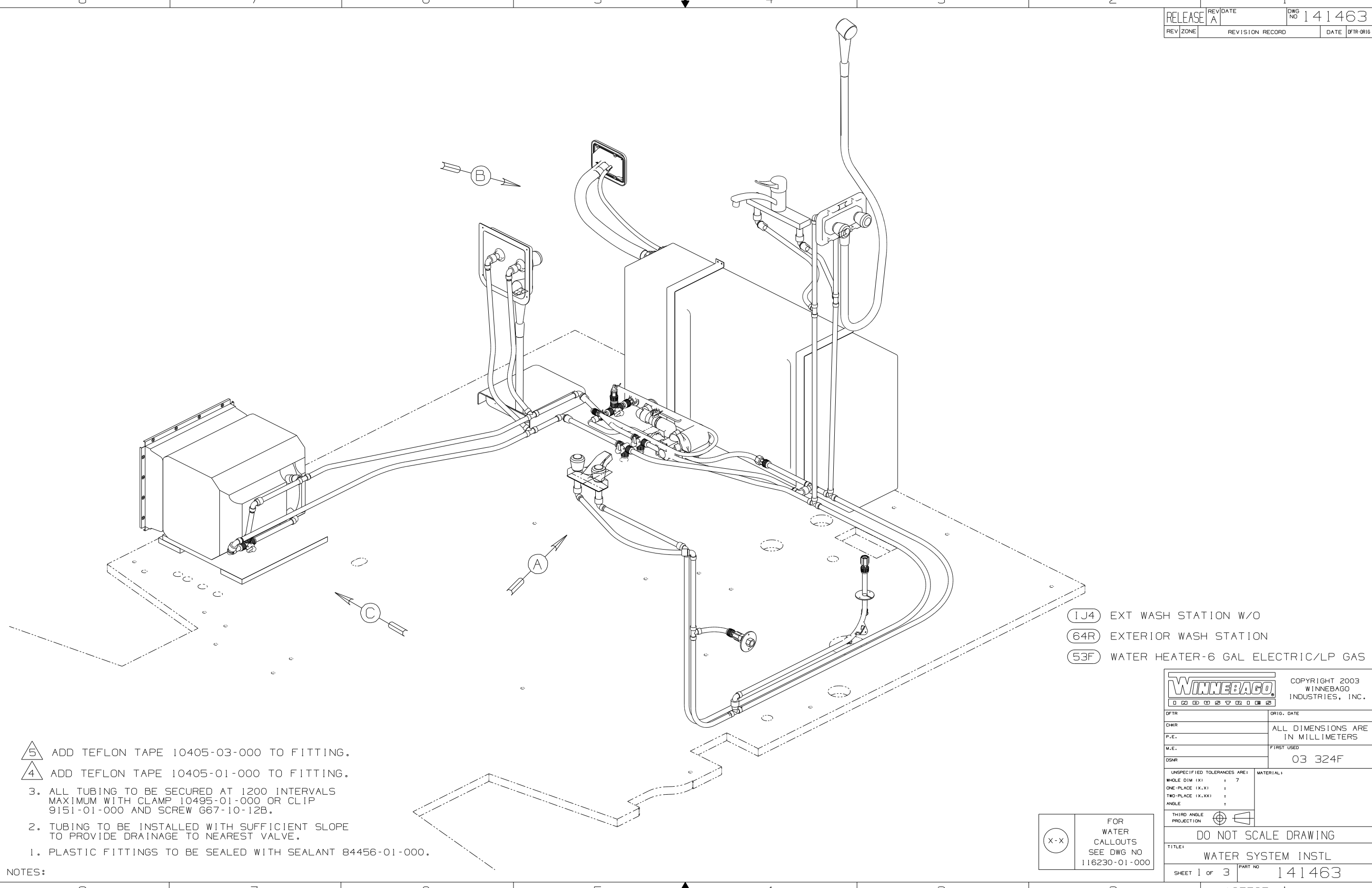
VIEW B-B

FIRST USED	03 324F
DO NOT SCALE DRAWING	
TITLE	DRAINAGE SYSTEM INSTL
SHEET 2	PART NO 141480



VIEW D

FIRST USED	03 324F
DO NOT SCALE DRAWING	
TITLE	DRAINAGE SYSTEM INSTL
SHEET 3	PART NO 141480

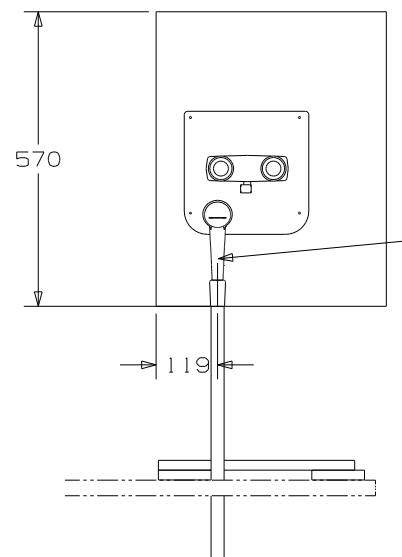


- (1J4) EXT WASH STATION W/O
- (64R) EXTERIOR WASH STATION
- (53F) WATER HEATER-6 GAL ELECTRIC/LP GAS

- NOTES:
- 5 ADD TEFLON TAPE 10405-03-000 TO FITTING.
  - 4 ADD TEFLON TAPE 10405-01-000 TO FITTING.
  - 3. ALL TUBING TO BE SECURED AT 1200 INTERVALS MAXIMUM WITH CLAMP 10495-01-000 OR CLIP 9151-01-000 AND SCREW G67-10-12B.
  - 2. TUBING TO BE INSTALLED WITH SUFFICIENT SLOPE TO PROVIDE DRAINAGE TO NEAREST VALVE.
  - 1. PLASTIC FITTINGS TO BE SEALED WITH SEALANT 84456-01-000.

<b>WINNEBAGO</b>		COPYRIGHT 2003 WINNEBAGO INDUSTRIES, INC.	
DFTR	ORIG. DATE	ALL DIMENSIONS ARE IN MILLIMETERS	
CHKR		FIRST USED 03 324F	
P.E.		UNSPECIFIED TOLERANCES ARE:	
M.E.		WHOLE DIM (X) :	7
DSNR		ONE-PLACE (X.X) :	
		TWO-PLACE (X.XX) :	
		ANGLE :	
THIRD ANGLE PROJECTION		DO NOT SCALE DRAWING	
TITLE: WATER SYSTEM INSTL			
SHEET 1 OF 3		PART NO 141463	
REF: 137735 1 03/26/03			

(X-X)  
FOR  
WATER  
CALLOUTS  
SEE DWG NO  
116230-01-000



VIEW D  
64R

SHOWER-SPACER  
139682-01-CHT  
SCREW  
G67-10-08U(4)

F-4  
SCREW  
G11-08-12U (4)  
SEALANT

STRAP-TANK, WATER  
138404-01-CHT(2)  
SCREW  
G67-10-12U(8)

TANK-WATER  
137734-02-CHT  
PLYWOOD  
846-51-172

PAN DRIP, EXTERIOR  
114293-01-CHT  
SCREW  
G67-10-08U(2)

VALVE-BALL 1"  
132483-01-000  
ELBOW  
132782-01-000  
ELBOW  
132484-01-000

TO WATER HEATER

TO GALLEY

VIEW A

FIRST USED	03 324F
DO NOT SCALE DRAWING	
TITLE:	WATER SYSTEM INSTL
SHEET 2	PART NO 141463

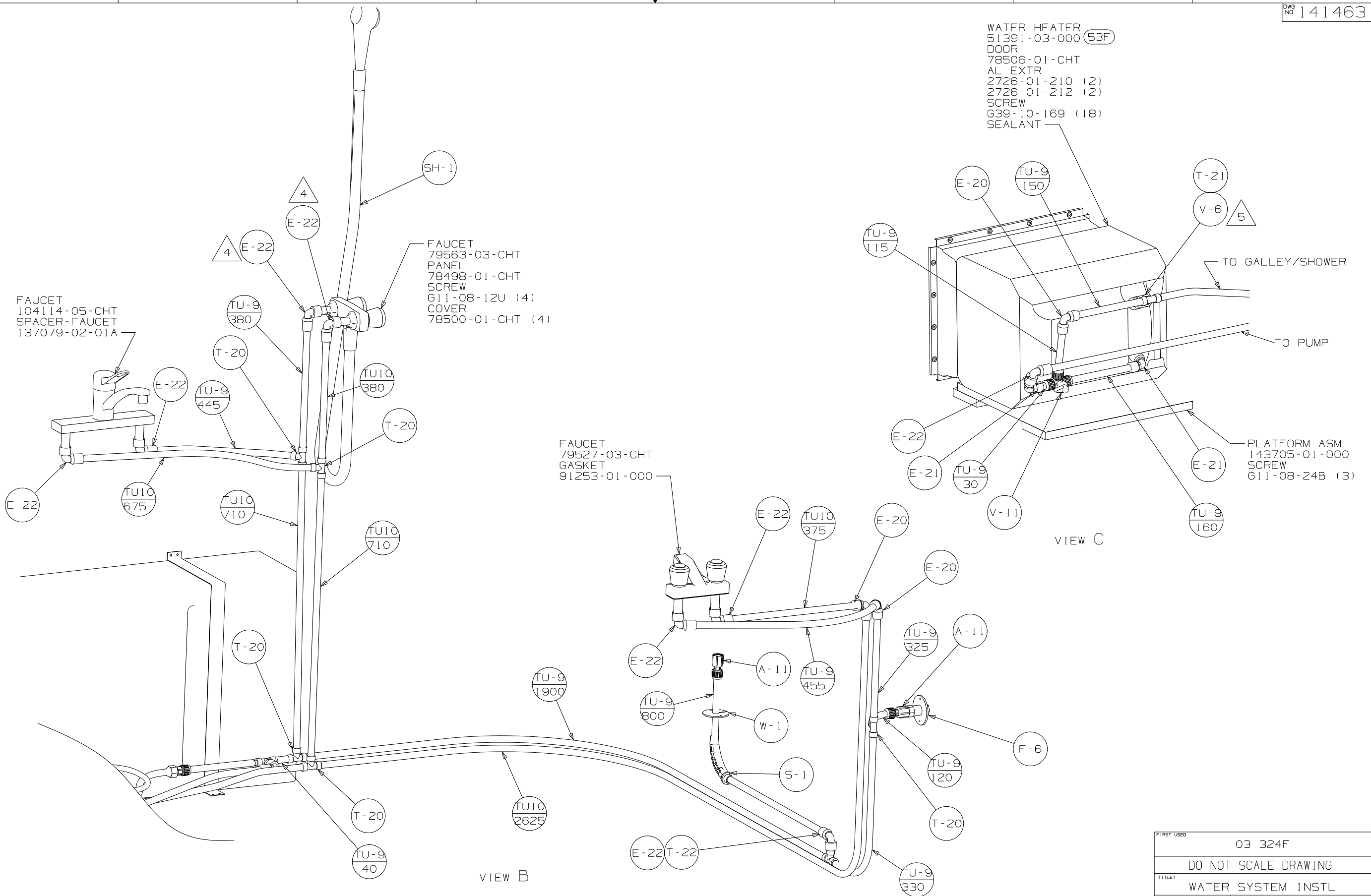
- WATER HEATER 51391-03-000 (53F)
- DOOR 78506-01-CHT
- AL EXTR 2726-01-210 (2)
- 2726-01-212 (2)
- SCREW 639-10-169 (18)
- SEALANT

- FAUCET 79563-03-CHT
- PANEL 78498-01-CHT
- SCREW 611-08-12U (4)
- COVER 78500-01-CHT (4)

- FAUCET 104114-05-CHT
- SPACER-FAUCET 137079-02-01A

- FAUCET 79527-03-CHT
- GASKET 91253-01-000

- PLATFORM ASM 143705-01-000
- SCREW 611-08-24B (3)



VIEW B

VIEW C

FIRST USED	03 324F
DO NOT SCALE DRAWING	
TITLE	WATER SYSTEM INSTL
SHEET 3	PART NO 141463