



**DANGER**

**Danger of electrical shock, burns or death.** Always remove all power sources before attempting any repair, service or diagnostic work. Power can be present from shore power, generator, inverter or battery. All power sources must be disabled and secured before performing any service.

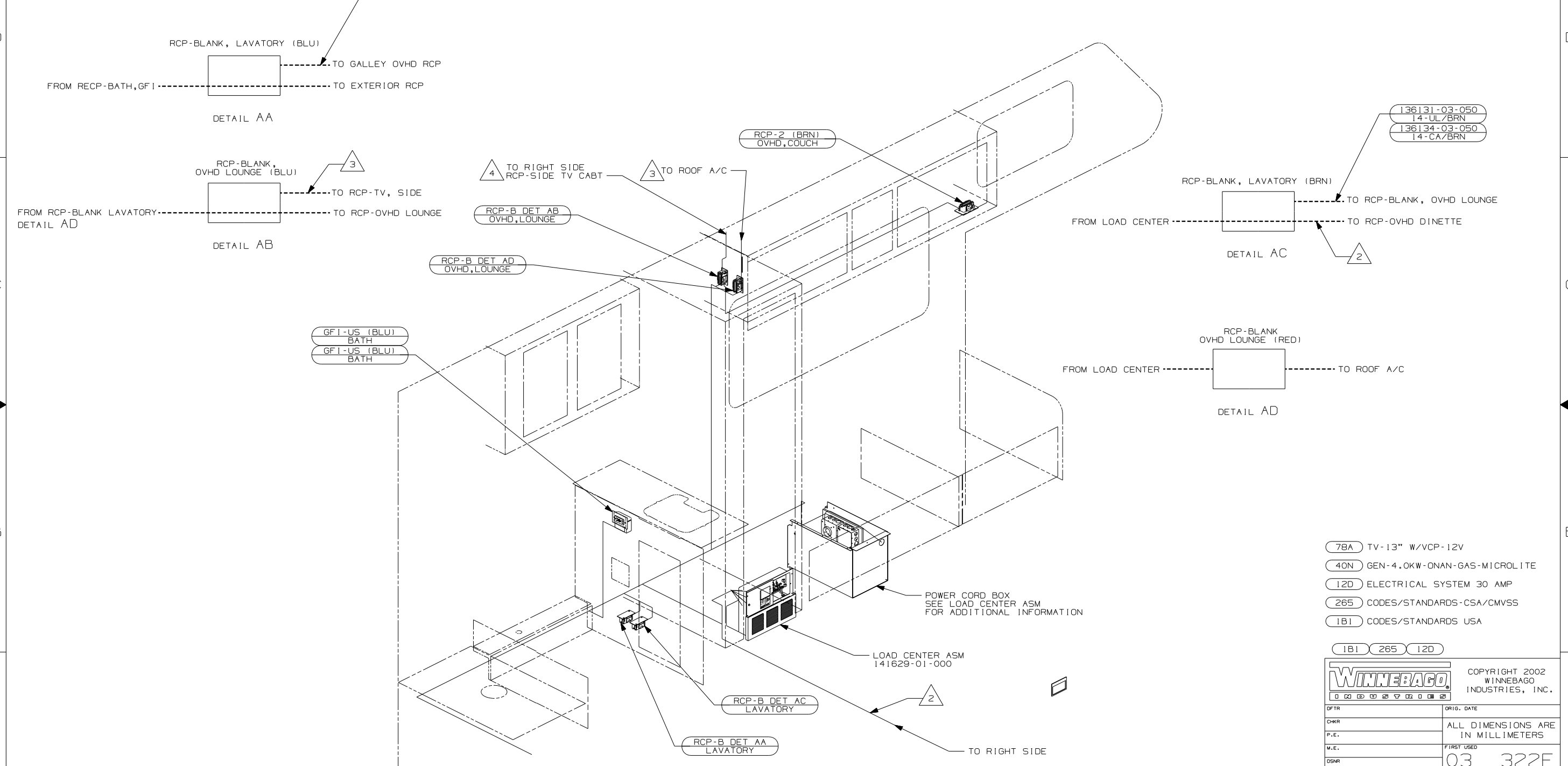


**CAUTION**

If you lack the skills, tools or equipment to perform diagnostic or repair work leave such work to an authorized Winnebago Industries dealer or other qualified shop.

DRAWING NO.	FEATURE
143270-01	-----
143270-11	(1B1) (12D)
143270-15	(265) (12D)

RELEASE	REV/DATE	DWG NO
	A	143270
REV ZONE	REVISION RECORD	DATE DFR-ORIG



- NOTES:
- ALL WIRES TO BE SECURED WITH CLAMP 10495-01-000 OR CLIP 80734-01-000 EVERY 600MM. USE SCREW 667-10-12B UNLESS OTHERWISE SPECIFIED.
- 4 NOT USED WITH (78A) .
- 3 WIRE ROUTED IN ROOF.
- 2 ROUTE WIRE THRU FLOOR.

- (78A) TV-13" W/VCP-12V
- (40N) GEN-4.0KW-ONAN-GAS-MICROLITE
- (12D) ELECTRICAL SYSTEM 30 AMP
- (265) CODES/STANDARDS-CSA/CMVSS
- (1B1) CODES/STANDARDS USA

(1B1) (265) (12D)

**WINNEBAGO** COPYRIGHT 2002 WINNEBAGO INDUSTRIES, INC.

DFTR	ORIG. DATE
CHKR	ALL DIMENSIONS ARE IN MILLIMETERS
P.E.	
M.E.	FIRST USED
DSNR	03 322E

UNSPECIFIED TOLERANCES ARE: MATERIAL:

WHOLE DIM (X) : 1

ONE-PLACE (X.X) :

TWO-PLACE (X.XX) :

ANGLE :

THIRD ANGLE PROJECTION

DO NOT SCALE DRAWING

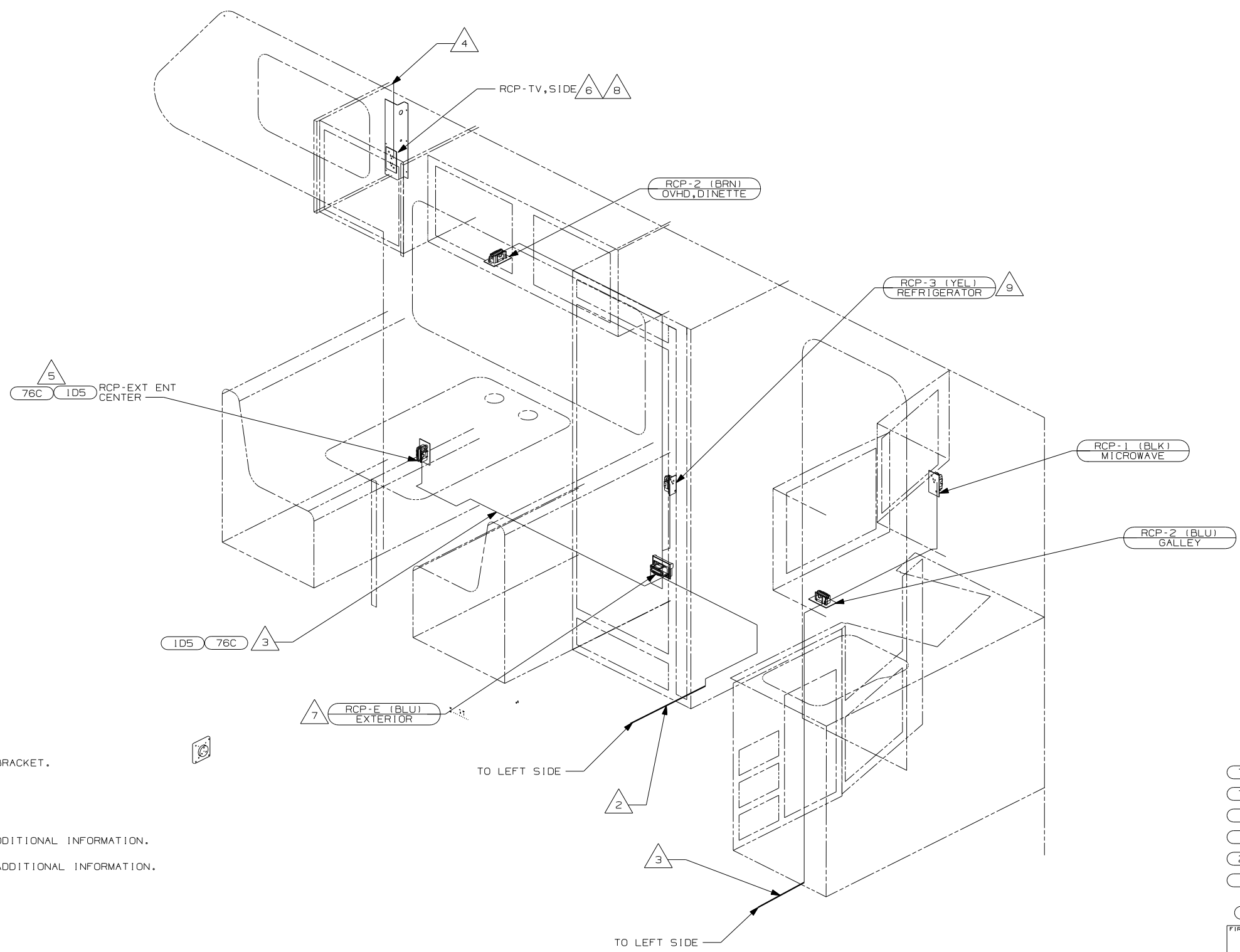
TITLE: WIRING INSTL-BODY, 110V

SHEET 1 OF 2 PART NO 143270

REF:137676 1 03/03/03

FOR ELECTRICAL TORQUE SPECIFICATIONS SEE DWG NO. 128783-01-000

FOR ELECTRICAL CALLOUTS SEE DWG NO. 121339-01-000



- 9 LOCATE RCP ON REFRIGERATOR TIEDOWN BRACKET.
- 8 NOT USED WITH 78A.
- 7 NOT USED WITH 76C OR 1D5.
- 6 SEE WIRING INSTL-TV/VCR, SIDE FOR ADDITIONAL INFORMATION.
- 5 SEE ENTERTAINMENT CENTER-COMPL FOR ADDITIONAL INFORMATION.
- 4 WIRE ROUTED IN ROOF.
- 3 ROUTE WIRE ALONG FLOOR.
- 2 ROUTE WIRE THRU FLOOR.

1. ALL WIRES TO BE SECURED WITH CLAMP 10495-01-000 OR CLIP 80734-01-000 EVERY 600MM. USE SCREW 667-10-12B UNLESS OTHERWISE SPECIFIED.

NOTES:

- 78A TV-13" W/VCP-12V
- 76C ENTERTAINMENT CTR/EXT CASSETTE
- 1D5 ENTERTAINMENT CENTR/EXT W/CD
- 12D ELECTRICAL SYSTEM 30 AMP
- 265 CODES/STANDARDS-CSA/CMVSS
- 1B1 CODES/STANDARDS USA

FIRST USED	03 322E
DO NOT SCALE DRAWING	
TITLE:	WIRING INSTL-BODY, 110V
SHEET 2	PART NO 143270

FOR ELECTRICAL TORQUE SPECIFICATIONS SEE DWG NO. 128783-01-000

FOR ELECTRICAL CALLOUTS SEE DWG NO. 121339-01-000