

FRONT  
OF  
COACH

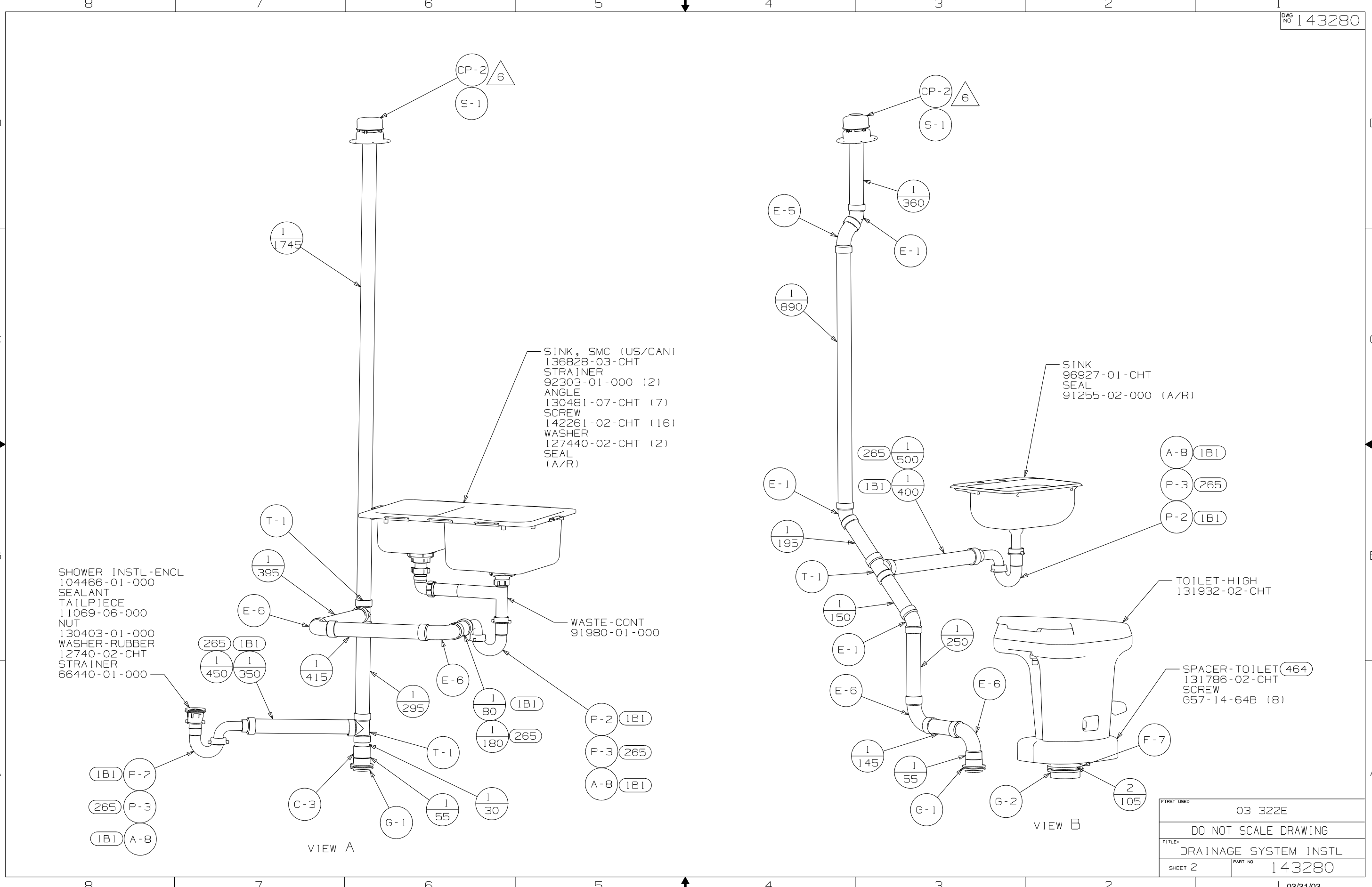
- (1B1) CODES/STANDARDS-USA
- (265) CODES/STDS-CSA/CMVSS
- (464) TOILET
- (43F) SHOWER SURROUND
- (23T) DRAINAGE SYSTEM-HEATED

- 6 VENT PIPE MUST PROJECT 51 MIN AND 64 MAX ABOVE ROOF FOR PROPER FIT AND FUNCTION.
5. SEAL AROUND SHOWER WITH SILICONE.
  4. ALL EXTERIOR OPENINGS AROUND PIPE TO BE SEALED WITH 110744-01-000.
  3. ALL PIPE AND FITTINGS TO BE ASSEMBLED WITH SOLVENT 4020-01-000.
  2. SLOPE OF TRAP ARM MUST BE 6 PER 305 mm.
  1. SLOPE OF HORIZONTAL PIPING TO BE MIN 3 PER 305 mm.

NOTES:

FOR  
DRAINAGE  
CALLOUTS  
SEE DWG NO  
116229-01-000

|                           |            |                                                 |     |
|---------------------------|------------|-------------------------------------------------|-----|
| <b>WINNEBAGO</b>          |            | COPYRIGHT 2003<br>WINNEBAGO<br>INDUSTRIES, INC. |     |
| DFTR                      | ORIG. DATE | ALL DIMENSIONS ARE<br>IN MILLIMETERS            |     |
| CHKR                      |            | FIRST USED                                      |     |
| P.E.                      |            | 03 322E                                         |     |
| M.E.                      |            | UNSPECIFIED TOLERANCES ARE:                     |     |
| DSNR                      |            | MATERIAL:                                       |     |
|                           |            | WHOLE DIM (X)                                   | : 3 |
|                           |            | ONE-PLACE (X.X)                                 | :   |
|                           |            | TWO-PLACE (X.XX)                                | :   |
|                           |            | ANGLE                                           | :   |
| THIRD ANGLE<br>PROJECTION |            | DO NOT SCALE DRAWING                            |     |
|                           |            | TITLE:<br>DRAINAGE SYSTEM INSTL                 |     |
| SHEET 1 OF 3              |            | PART NO<br>143280                               |     |



SINK, SMC (US/CAN)  
 136828-03-CHT  
 STRAINER  
 92303-01-000 (2)  
 ANGLE  
 130481-07-CHT (7)  
 SCREW  
 142261-02-CHT (16)  
 WASHER  
 127440-02-CHT (2)  
 SEAL  
 (A/R)

SINK  
 96927-01-CHT  
 SEAL  
 91255-02-000 (A/R)

SHOWER INSTL-ENCL  
 104466-01-000  
 SEALANT  
 TAILPIECE  
 11069-06-000  
 NUT  
 130403-01-000  
 WASHER-RUBBER  
 12740-02-CHT  
 STRAINER  
 66440-01-000

WASTE-CONT  
 91980-01-000

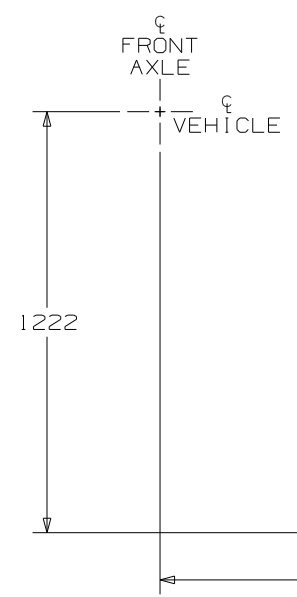
TOILET-HIGH  
 131932-02-CHT

SPACER-TOILET  
 131786-02-CHT  
 SCREW  
 657-14-64B (8)

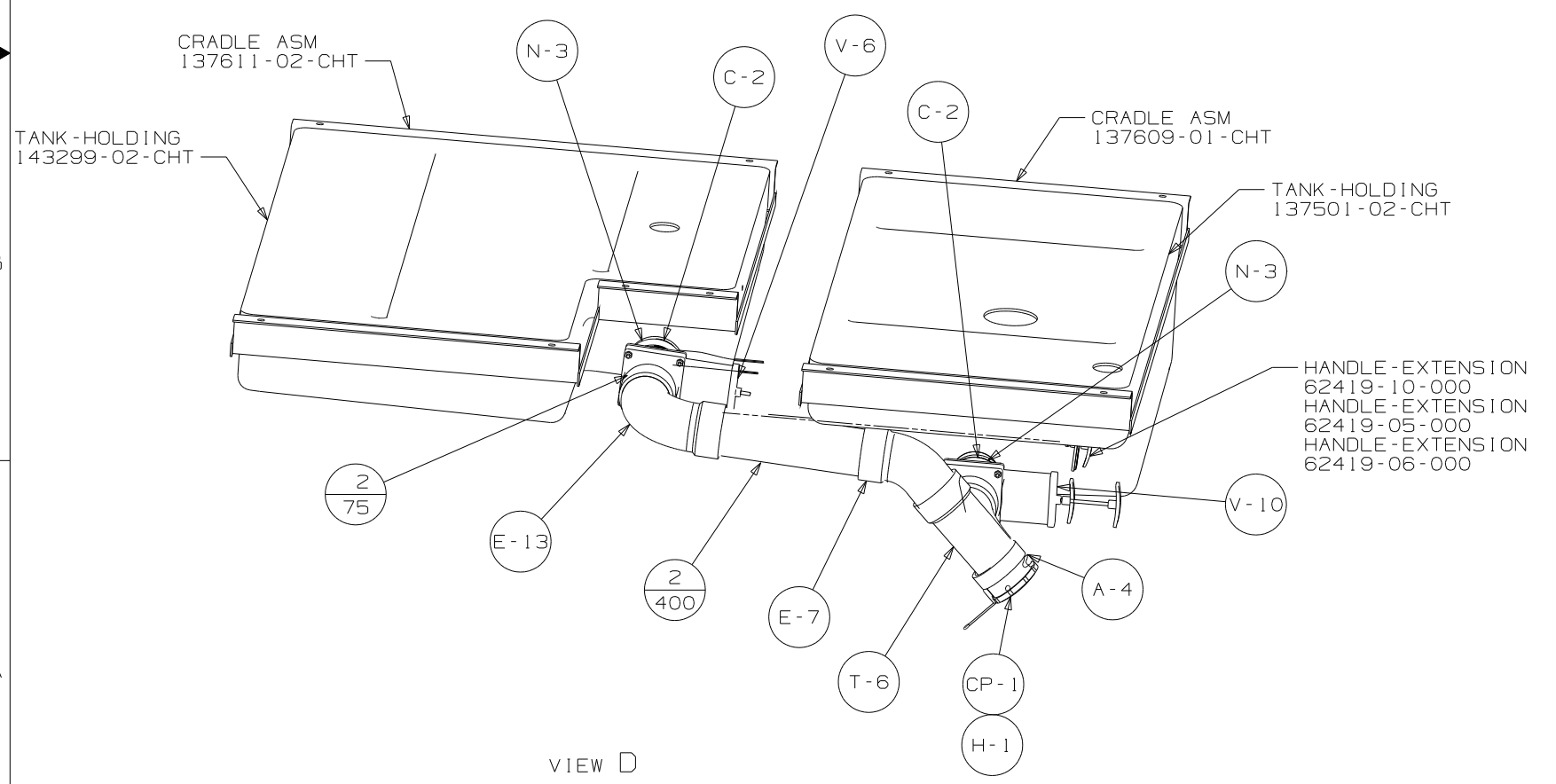
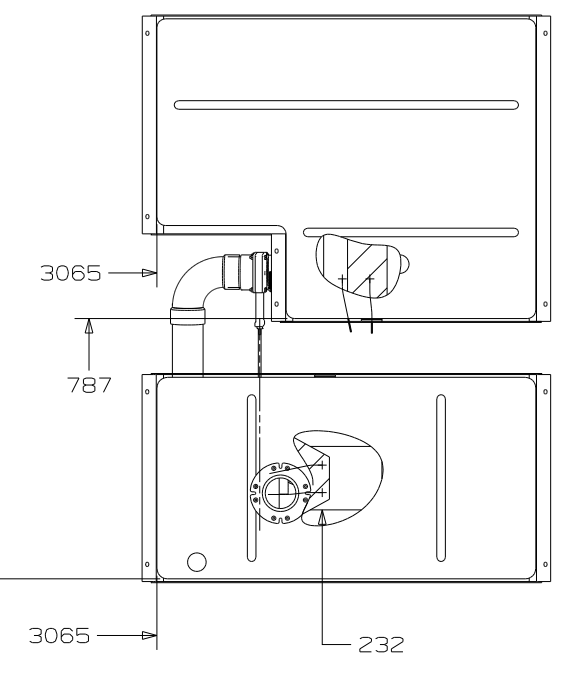
VIEW A

VIEW B

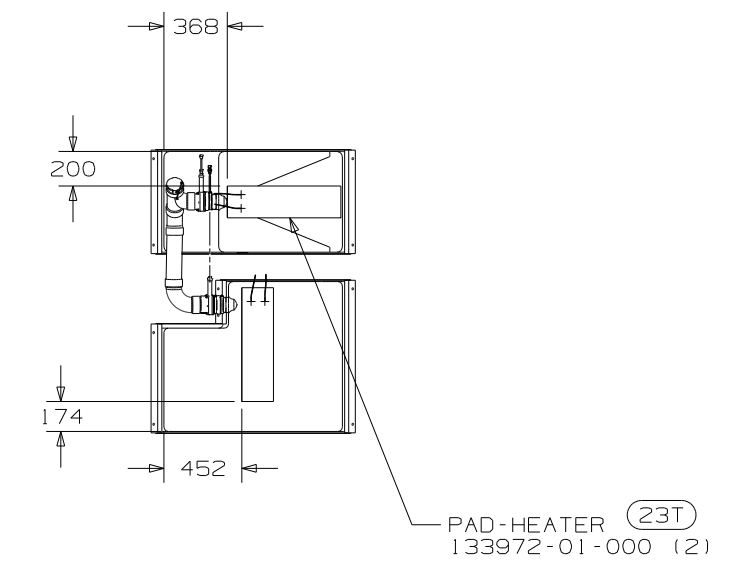
|                      |                       |
|----------------------|-----------------------|
| FIRST USED           | 03 322E               |
| DO NOT SCALE DRAWING |                       |
| TITLE                | DRAINAGE SYSTEM INSTL |
| SHEET 2              | PART NO 143280        |



VIEW C

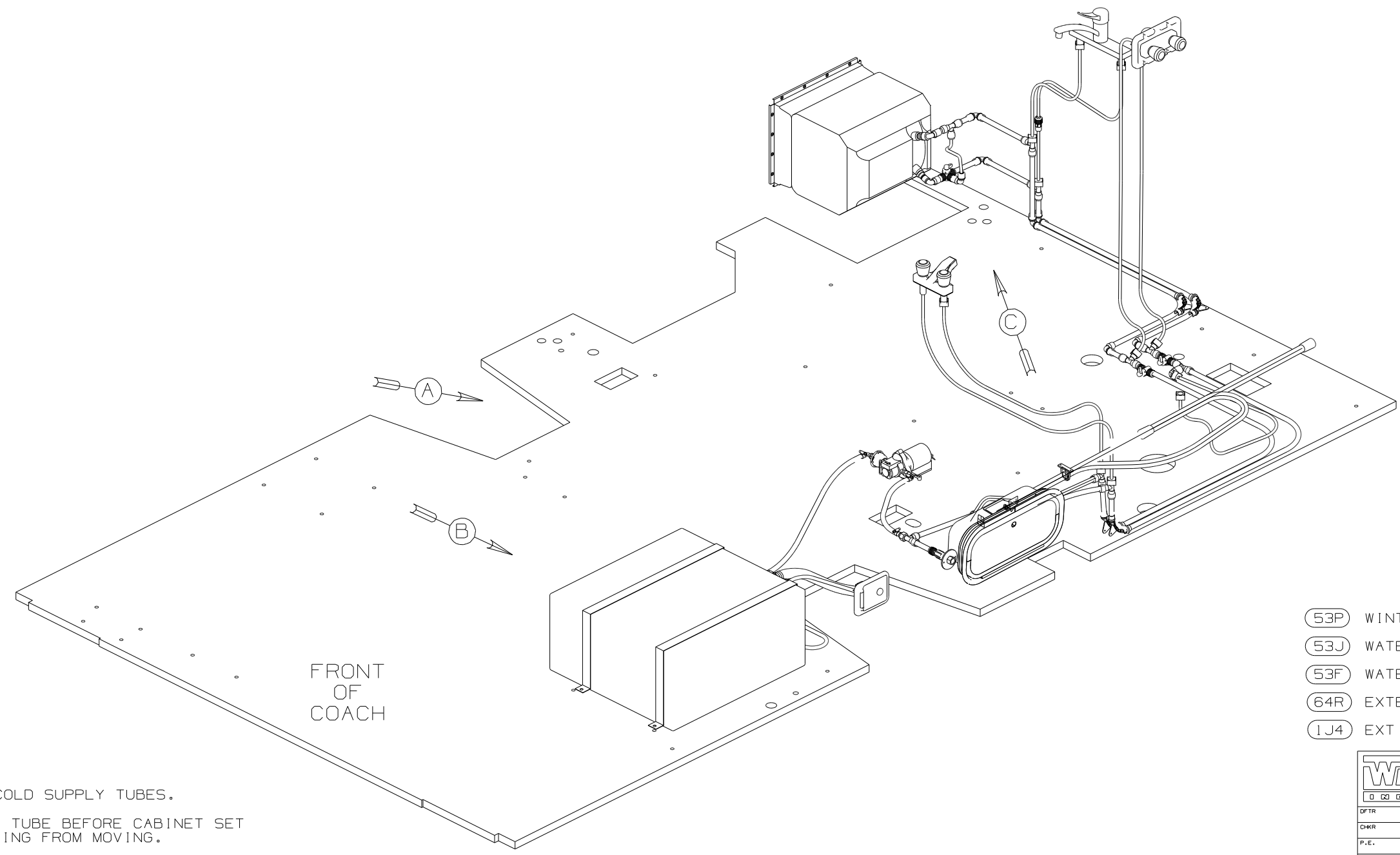


VIEW D



VIEW E

|            |                      |
|------------|----------------------|
| FIRST USED | 03 322E              |
| TITLE      | DO NOT SCALE DRAWING |
| SHEET 3    | PART NO 143280       |
| 1 03/31/03 |                      |



- (53P) WINTERIZING VALVE, MANUAL
- (53J) WATER HEATER BY-PASS-VALVE
- (53F) WATER HEATER-ELEC IGNITION
- (64R) EXTERIOR WASH STATION
- (1J4) EXT WASH STATION-WITHOUT

- NOTES:
- 7 LABEL HOT AND COLD SUPPLY TUBES.
  - 6 TAPE FITTING TO TUBE BEFORE CABINET SET TO PREVENT FITTING FROM MOVING.
  - 5 ADD TEFLON TAPE 10405-01-000.
  - 4 ADD TEFLON TAPE 10405-02-000.
3. ALL TUBING TO BE SECURED AT 1200 INTERVALS MAXIMUM WITH CLAMP 10495-01-000 OR CLIP 9151-01-000 AND SCREW 667-10-12B.
  2. TUBING TO BE INSTALLED WITH SUFFICIENT SLOPE TO PROVIDE DRAINAGE TO NEAREST VALVE.
  1. PLASTIC FITTINGS TO BE SEALED WITH SEALANT 84456-01-000.

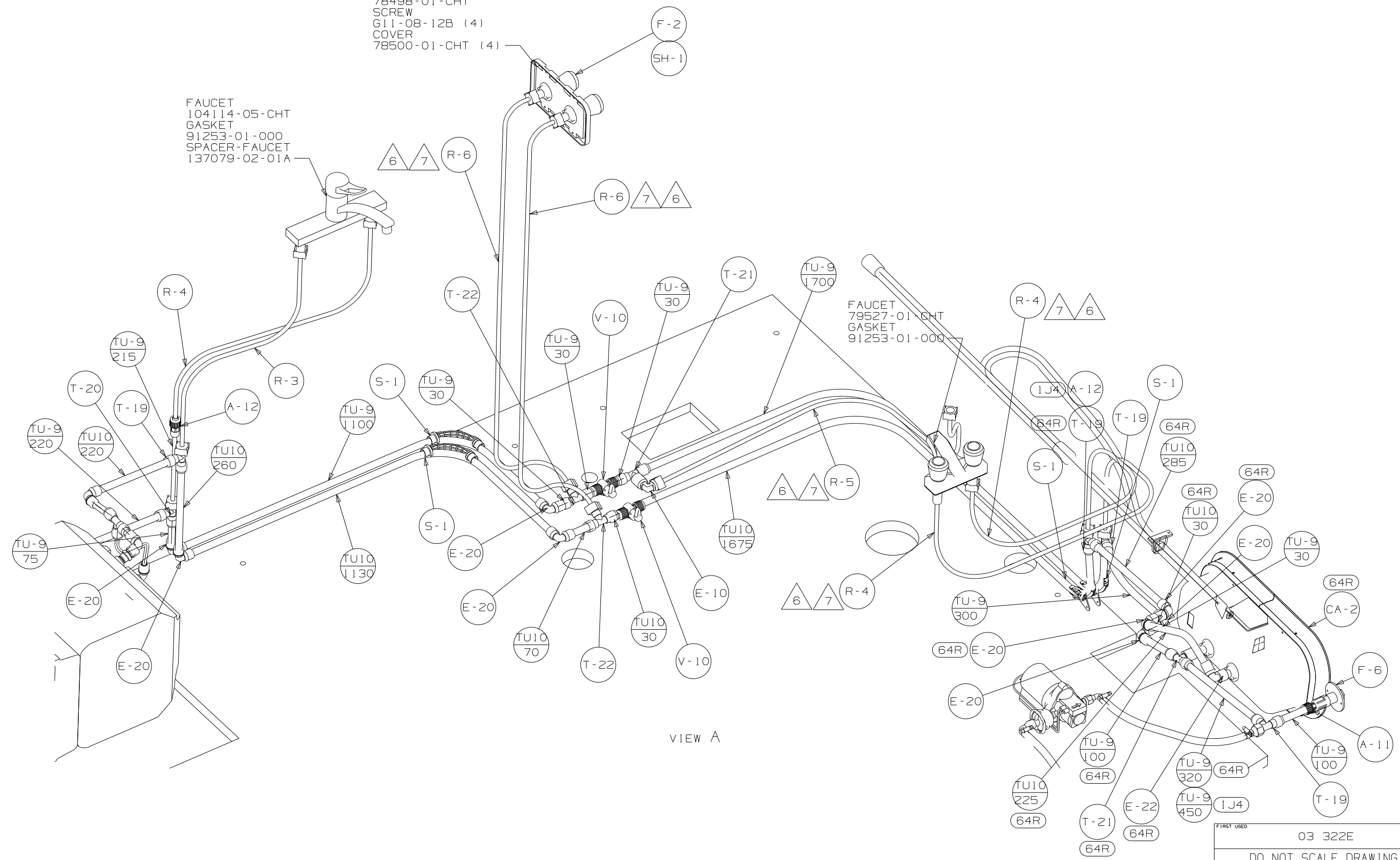
(X-X)  
FOR  
WATER  
CALLOUTS  
SEE DWG NO  
116230-01-000

|                              |            |                                                 |   |
|------------------------------|------------|-------------------------------------------------|---|
| <b>WINNEBAGO</b>             |            | COPYRIGHT 2003<br>WINNEBAGO<br>INDUSTRIES, INC. |   |
| DFTR                         | ORIG. DATE | ALL DIMENSIONS ARE<br>IN MILLIMETERS            |   |
| CHKR                         |            | FIRST USED                                      |   |
| P.E.                         |            | 03 322E                                         |   |
| M.E.                         |            | UNSPECIFIED TOLERANCES ARE:                     |   |
| DSNR                         |            | MATERIAL:                                       |   |
|                              |            | WHOLE DIM (X) :                                 | 3 |
|                              |            | ONE-PLACE (X.X) :                               |   |
|                              |            | TWO-PLACE (X.XX) :                              |   |
|                              |            | ANGLE :                                         |   |
| THIRD ANGLE<br>PROJECTION    |            | DO NOT SCALE DRAWING                            |   |
| TITLE:<br>WATER SYSTEM INSTL |            |                                                 |   |
| SHEET 1 OF 3                 |            | PART NO<br>143279                               |   |

PANEL  
78498-01-CHT  
SCREW  
G11-08-12B (4)  
COVER  
78500-01-CHT (4)

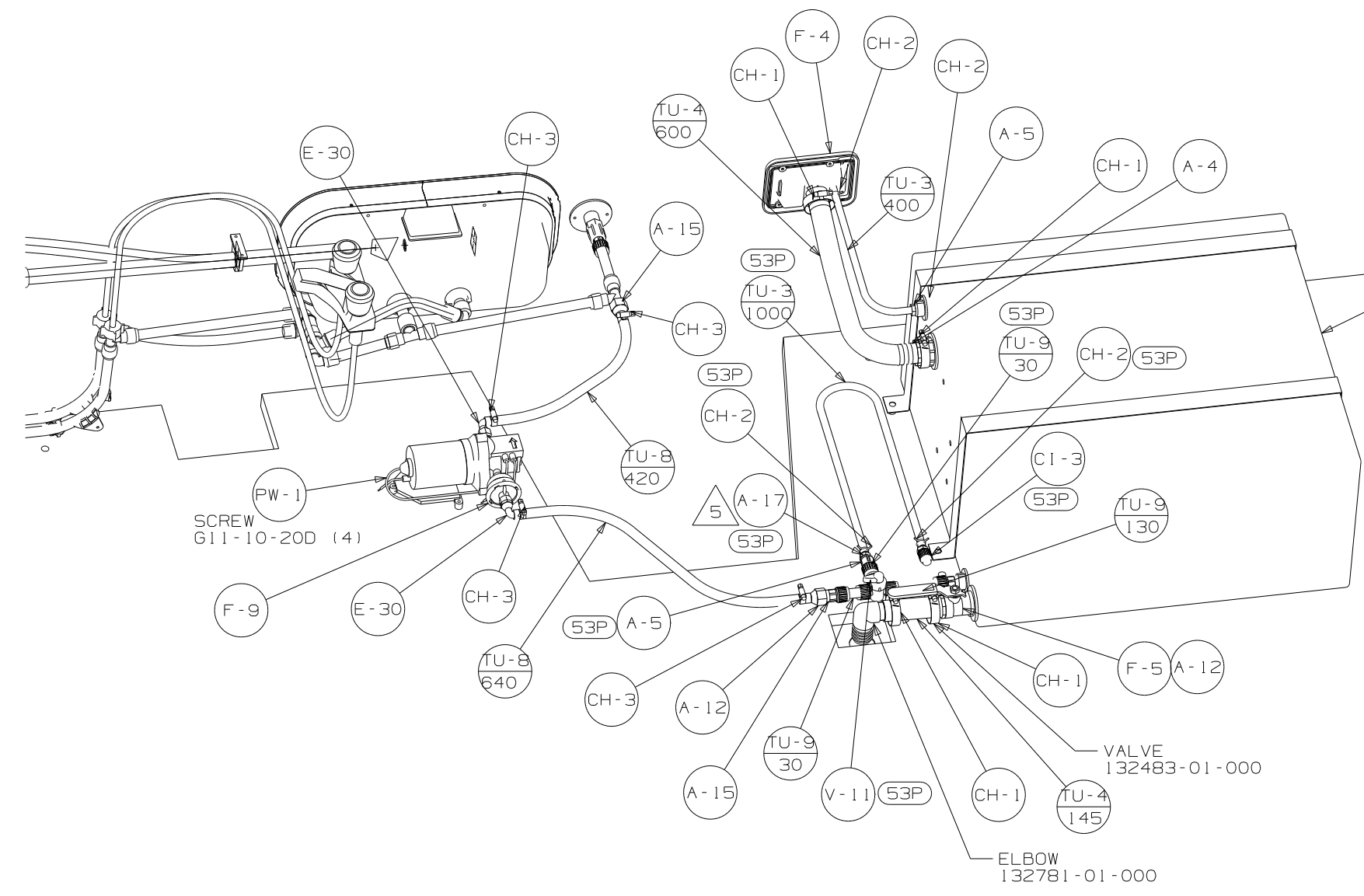
FAUCET  
104114-05-CHT  
GASKET  
91253-01-000  
SPACER-FAUCET  
137079-02-01A

FAUCET  
79527-01-CHT  
GASKET  
91253-01-000



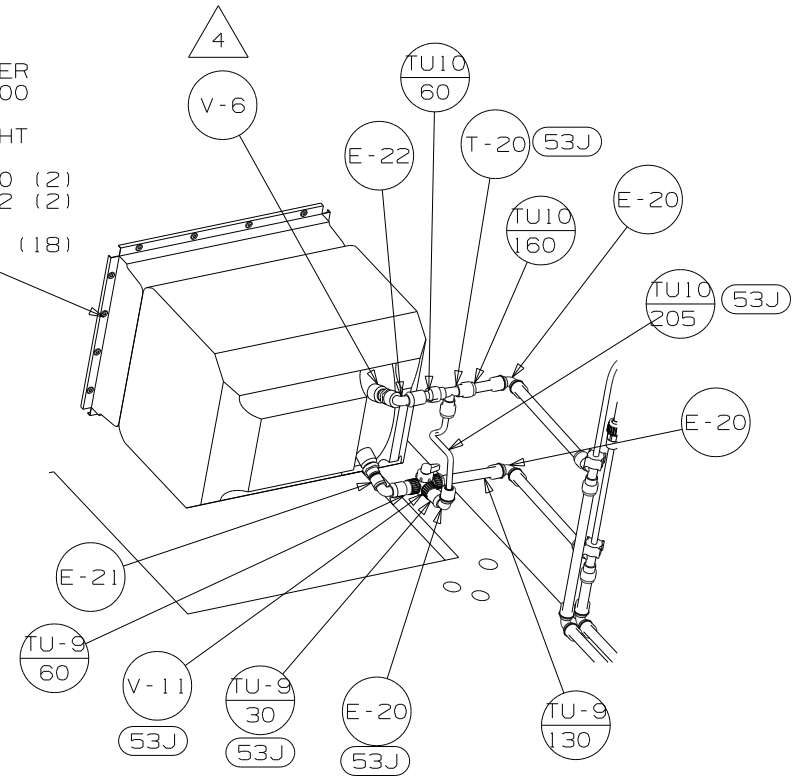
VIEW A

|            |                      |
|------------|----------------------|
| FIRST USED | 03 322E              |
| TITLE      | DO NOT SCALE DRAWING |
| TITLE      | WATER SYSTEM INSTL   |
| SHEET 2    | PART NO 143279       |



- TANK - WATER
- 109606-06-000
- STRAP
- 118994-07-000 (2)
- BOLT
- C18-05-40A (4)
- NUT
- D39-05-00B (4)

- (53F) WATER HEATER
- 51391-03-000
- DOOR
- 78506-01-CHT
- AL EXTR
- 2726-01-210 (2)
- 2726-01-212 (2)
- SCREW
- G39-10-169 (18)
- SEALANT



VIEW B

VIEW C

|                      |                    |
|----------------------|--------------------|
| FIRST USED           | 03 322E            |
| DO NOT SCALE DRAWING |                    |
| TITLE:               | WATER SYSTEM INSTL |
| SHEET 3              | PART NO 143279     |