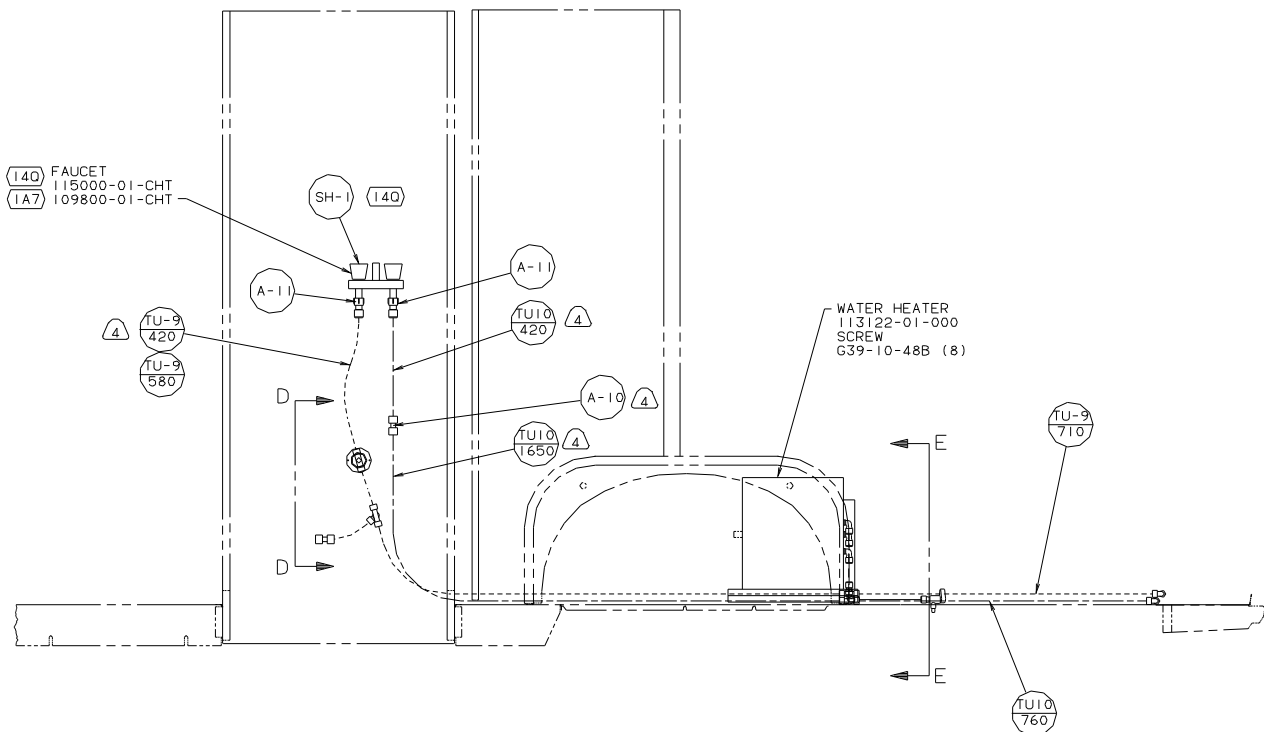


VIEW D-D



- NOTES:
- ④ NOT REQUIRED WITH EXTERIOR SHOWER.
  - 3. ALL TUBING TO BE SECURED AT 1200 INTERVALS MAXIMUM WITH CLAMP 10495-01-000 OR CLIP 91951-01-000 AND SCREW G67-10-12B.
  - 2. TUBING TO BE INSTALLED WITH SUFFICIENT SLOPE TO PROVIDE DRAINAGE TO NEAREST VALVE.
  - 1. PLASTIC FITTINGS TO BE SEALED WITH SEALANT 84456-01-000.

⑤ WRAP WATER LINES WITH INSULATION 105290-01-000 ANY PLACE THEY ARE IN CONTACT WITH MOTOR AID LINES. FASTEN WITH WIRE TIES.

- ⑥4R EXTERIOR WASH STATION
- ①A7 SHOWER PACKAGE-WITHOUT
- ①40 SHOWER PACKAGE

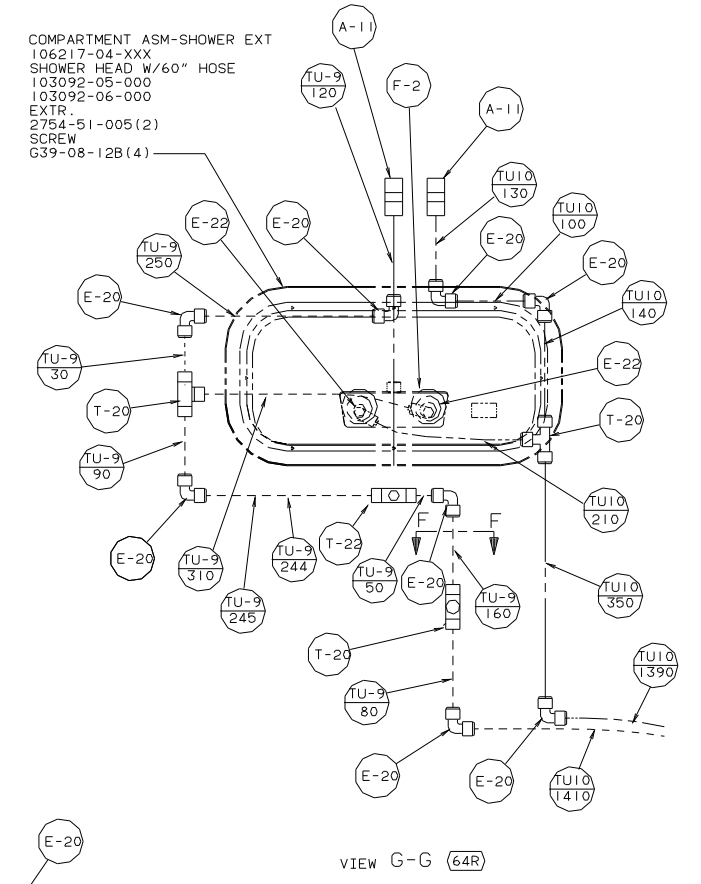
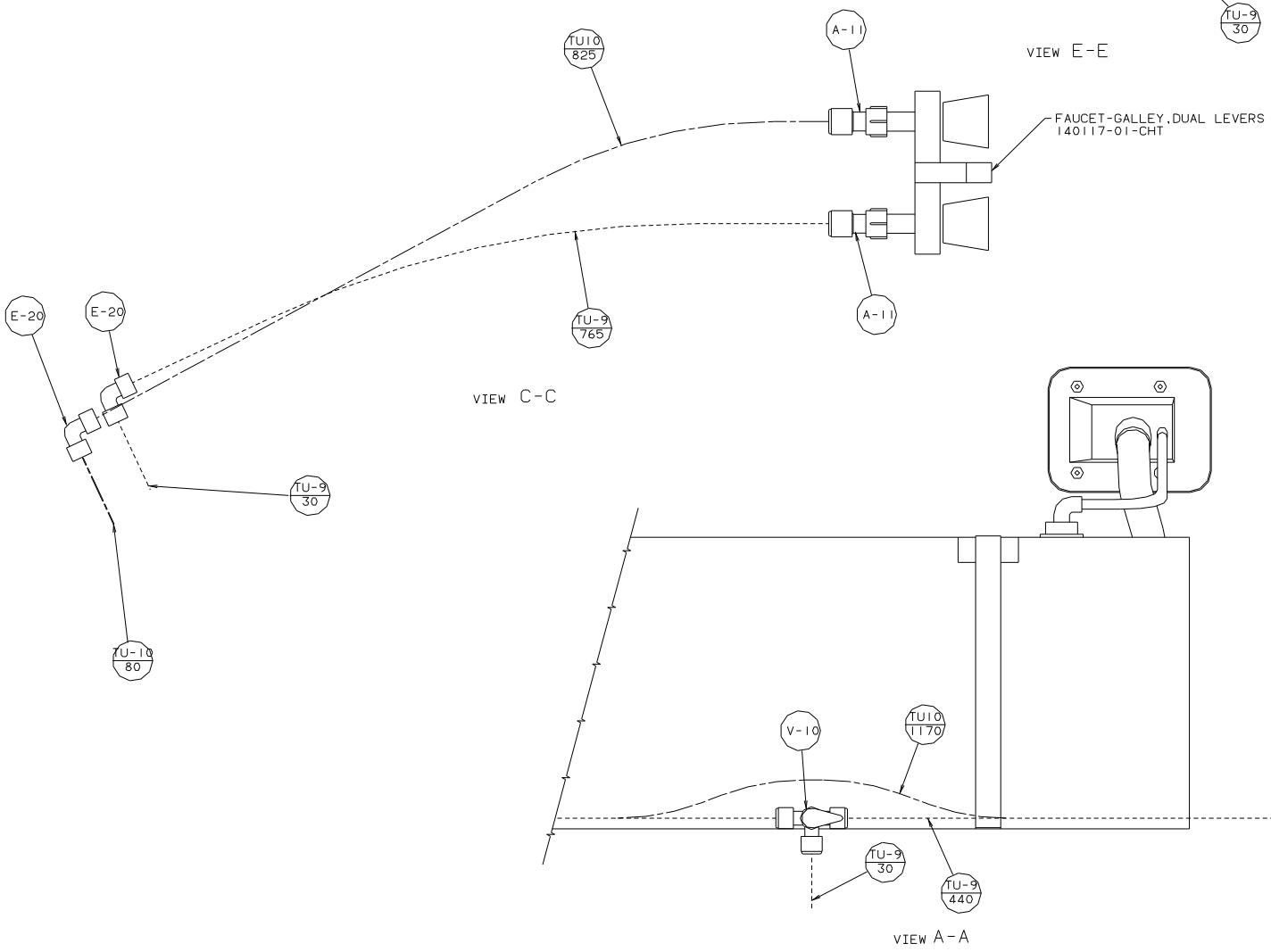
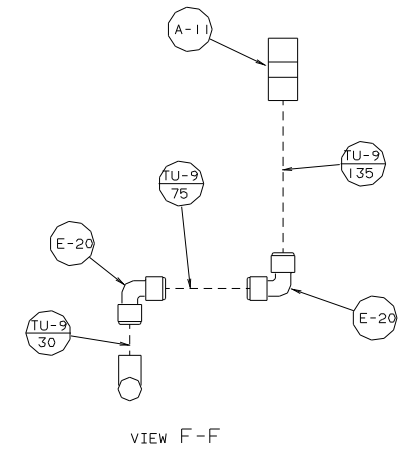
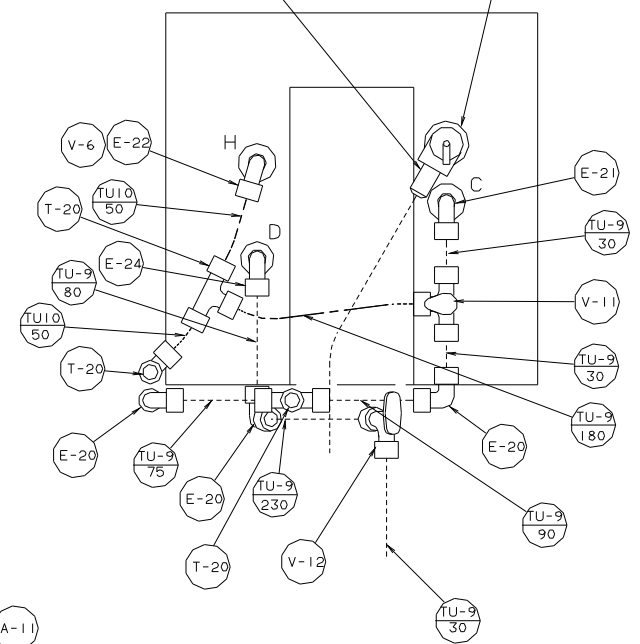
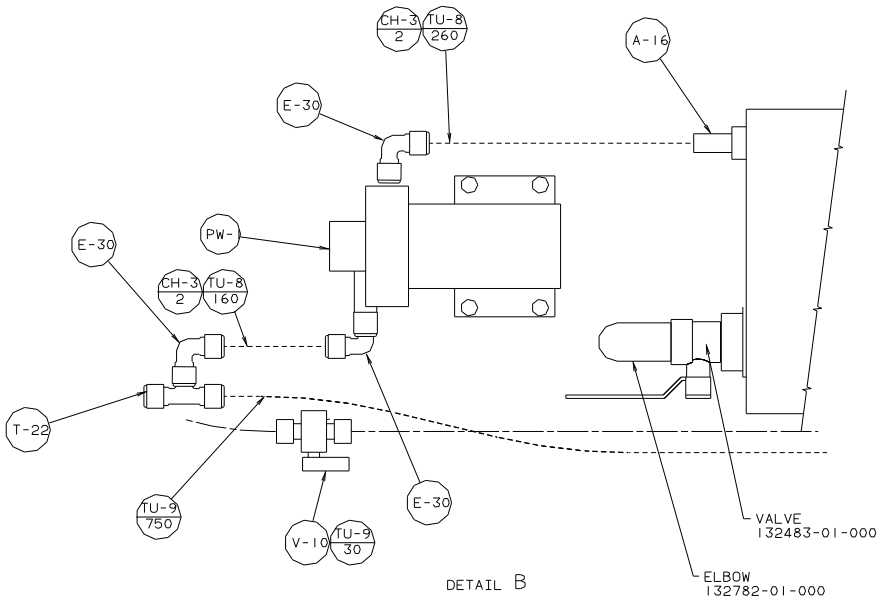
FOR WATER CALLOUTS SEE DWG NO. 116230-01-000

LEGEND	
HOT	-----
COLD	-----

COPYRIGHT 2002 WINNEBAGO INDUSTRIES, INC.		WINNEBAGO		03 2220D	
DTR	DATE	UNSPECIFIED TOLERANCES ARE:	MATERIAL:		
CHR	DATE	ANGLE DIM (X)	+		
P E	DATE	ONE-PLACE (X, XX)	+		
M E	DATE	TWO-PLACE (X, XX)	+		
DNR	DATE	THIRD ANGLE PROJECTION	+		
LAYOUT NO	2220D	TITLE:	WATER SYSTEM INSTL		
DIA #	SCALE: NONE	DO NOT SCALE DRAWINGS	SHEET	NO	
ALL DIMENSIONS ARE IN MILLIMETERS		SHEET	1		OF 2
REF: 133334		1		REV 08/02	

FITTING-BRASS  
90338-03-000  
HOSE  
7108-02-000  
(400)  
CLAMP  
62401-04-000

RELIEF VALVE  
(SUPPLIED WITH  
WATER HEATER)



COMPARTMENT ASM-SHOWER EXT  
106217-04-XXX  
SHOWER HEAD W/60" HOSE  
103092-05-000  
103092-06-000  
EXTR.  
2754-51-005 (2)  
SCREW  
G39-08-12B (4)