



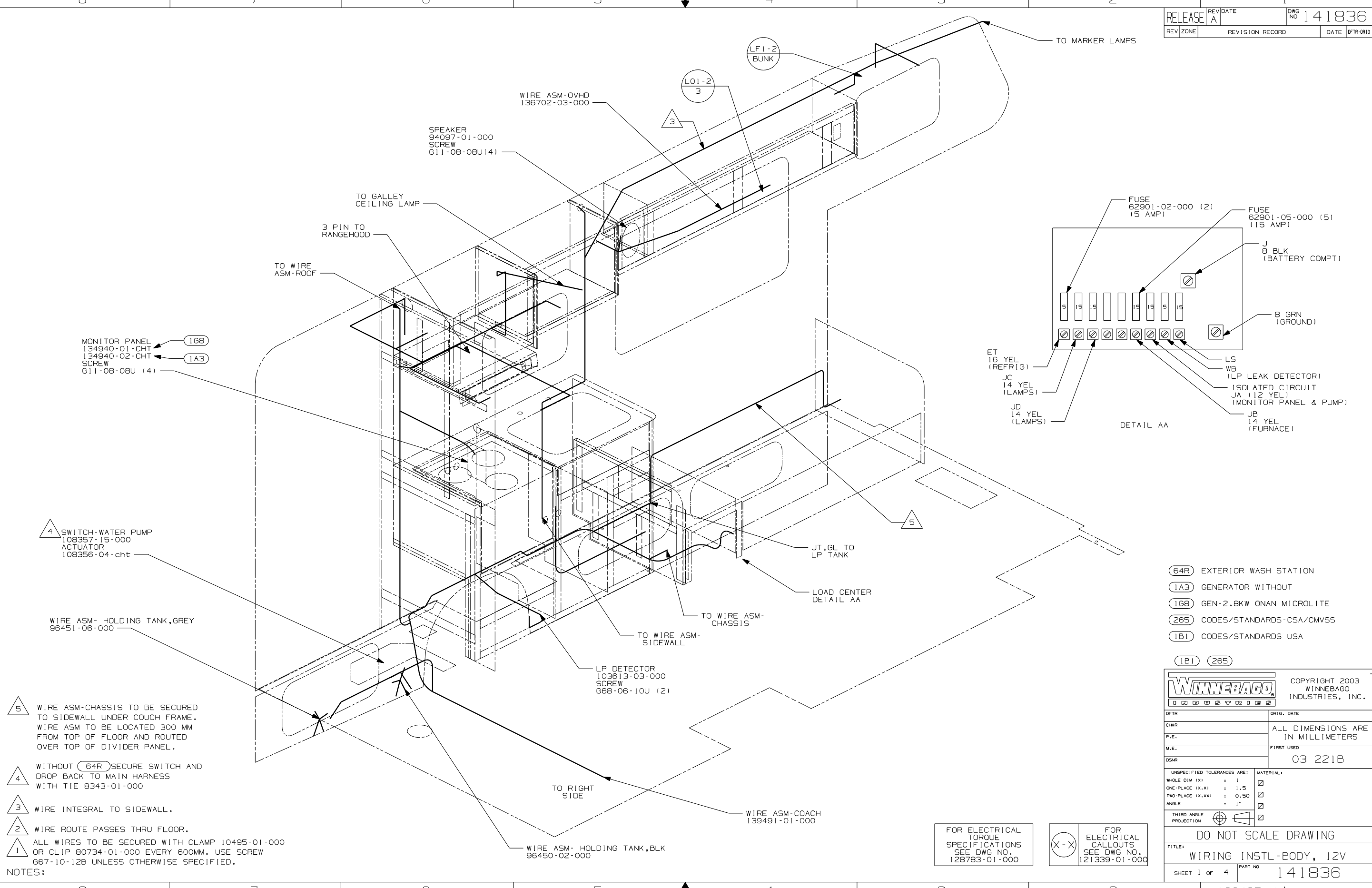
DANGER

Danger of electrical shock, burns or death. Always remove all power sources before attempting any repair, service or diagnostic work. Power can be present from shore power, generator, inverter or battery. All power sources must be disabled and secured before performing any service.



CAUTION

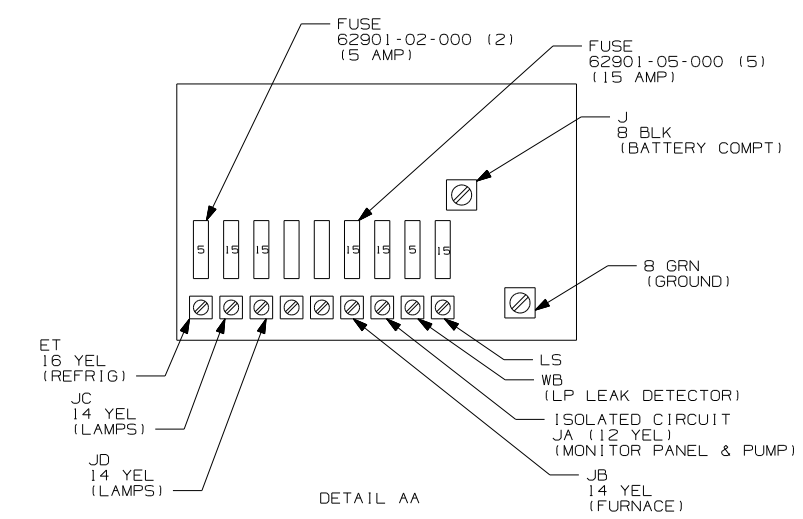
If you lack the skills, tools or equipment to perform diagnostic or repair work leave such work to an authorized Winnebago Industries dealer or other qualified shop.



MONITOR PANEL
 134940-01-CHT
 134940-02-CHT
 SCREW
 G11-08-08U (4)

4 SWITCH-WATER PUMP
 108357-15-000
 ACTUATOR
 108356-04-cht

- NOTES:
- 1 ALL WIRES TO BE SECURED WITH CLAMP 10495-01-000 OR CLIP 80734-01-000 EVERY 600MM. USE SCREW 667-10-12B UNLESS OTHERWISE SPECIFIED.
 - 2 WIRE ROUTE PASSES THRU FLOOR.
 - 3 WIRE INTEGRAL TO SIDEWALL.
 - 4 WITHOUT 64R SECURE SWITCH AND DROP BACK TO MAIN HARNESS WITH TIE 8343-01-000
 - 5 WIRE ASM-CHASSIS TO BE SECURED TO SIDEWALL UNDER COUCH FRAME. WIRE ASM TO BE LOCATED 300 MM FROM TOP OF FLOOR AND ROUTED OVER TOP OF DIVIDER PANEL.

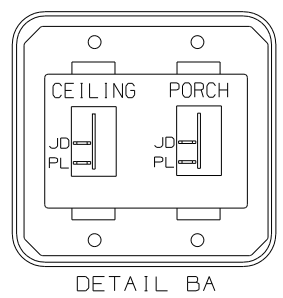


- 64R EXTERIOR WASH STATION
- 1A3 GENERATOR WITHOUT
- 1G8 GEN-2.8KW ONAN MICROLITE
- 265 CODES/STANDARDS-CSA/CMVSS
- 1B1 CODES/STANDARDS USA
- 1B1 265

		COPYRIGHT 2003 WINNEBAGO INDUSTRIES, INC.
DTR	ORIG. DATE	
CHKR	ALL DIMENSIONS ARE IN MILLIMETERS	
P.E.	FIRST USED	03 221B
M.E.		
DSNR		
UNSPECIFIED TOLERANCES ARE:	MATERIAL:	
WHOLE DIM (X)	: 1	<input checked="" type="checkbox"/>
ONE-PLACE (X.X)	: 1.5	<input checked="" type="checkbox"/>
TWO-PLACE (X.XX)	: 0.50	<input checked="" type="checkbox"/>
ANGLE	: 1°	<input checked="" type="checkbox"/>
THIRD ANGLE PROJECTION		<input checked="" type="checkbox"/>
DO NOT SCALE DRAWING		
TITLE: WIRING INSTL-BODY, 12V		
SHEET 1 OF 4	PART NO	141836

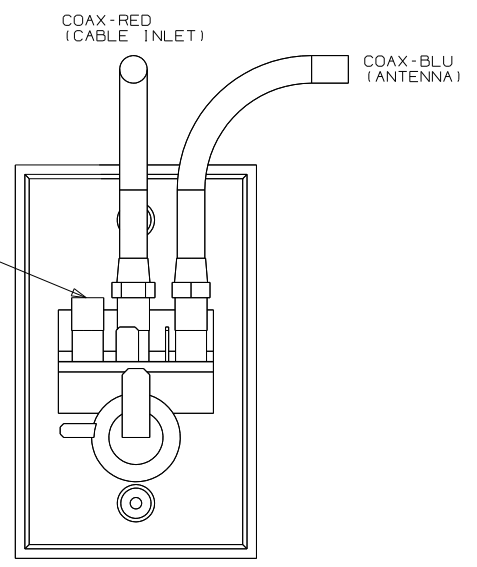
FOR ELECTRICAL
 TORQUE
 SPECIFICATIONS
 SEE DWG NO.
 128783-01-000

FOR ELECTRICAL
 CALLOUTS
 SEE DWG NO.
 121339-01-000

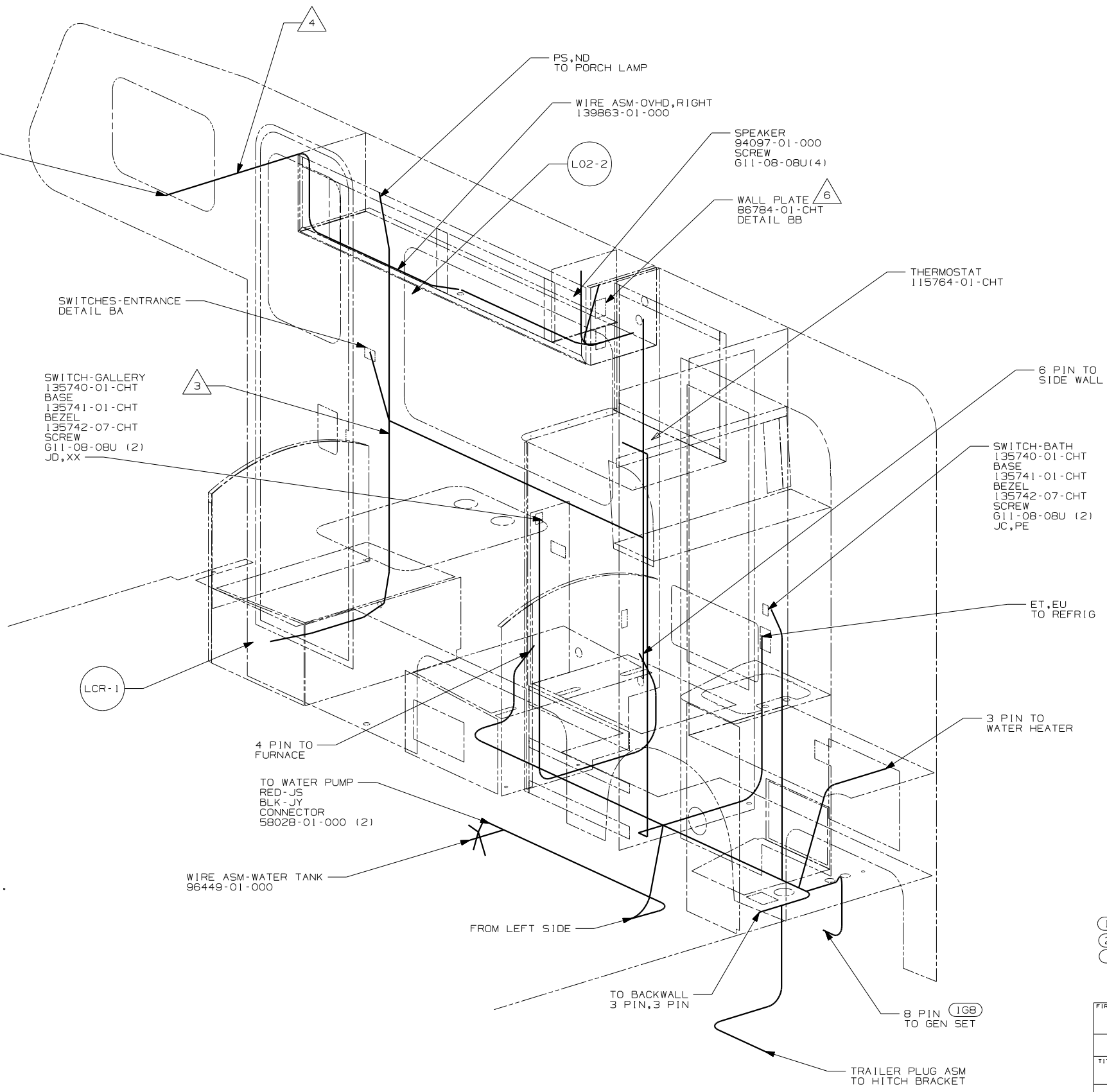


SWITCH-ROCKER
135740-01-CHT (2)
SWITCH-BASE
135741-02-CHT
SWITCH-BEZEL
135742-19-CHT
SCREW
G11-08-08U (4)

DETAIL BA



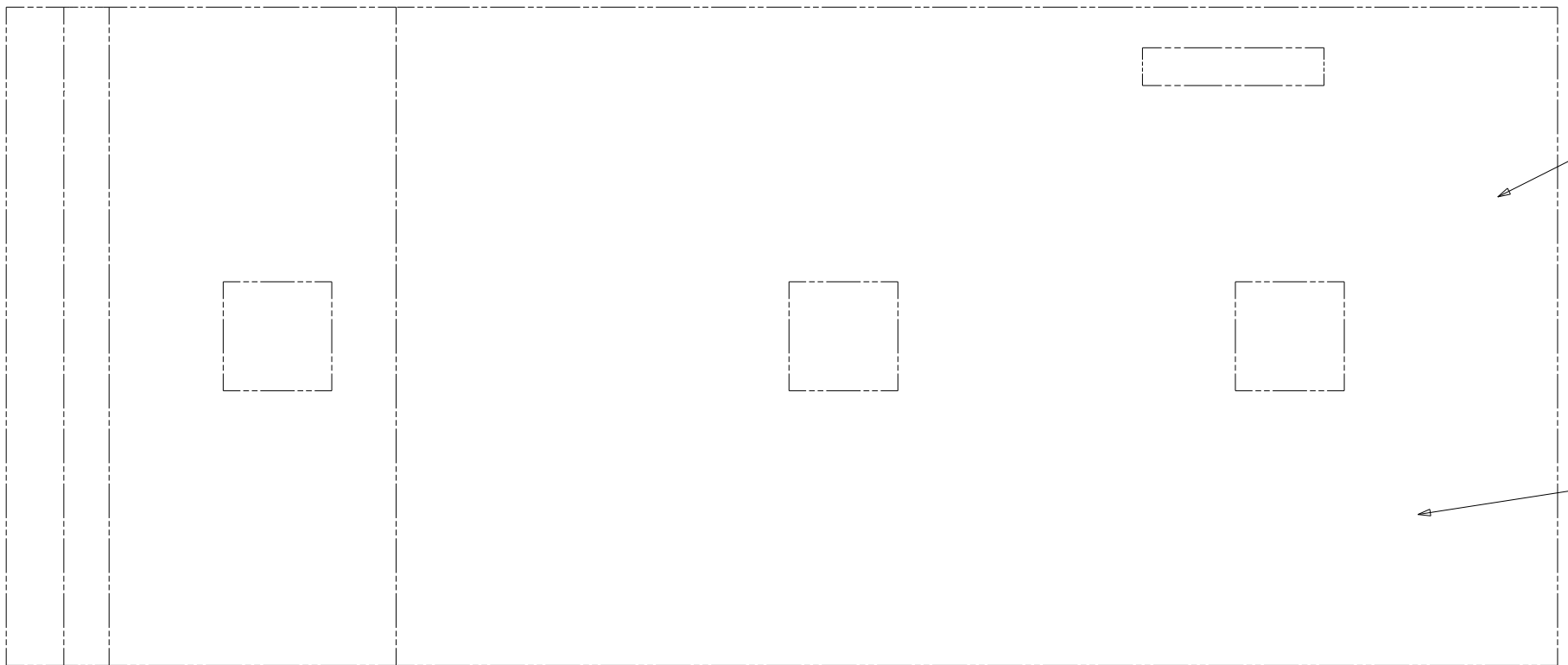
DETAIL BB



- 6 MOUNT WALLPLATE WITH SWITCH TOWARD INBOARD SIDE OF MOTORHOME.
- 5 USE ONE OF THE SPEAKERS PROVIDED IN THE KIT. SEND THE SCREWS IN THE KIT TO THE SURPLUS STORE. SEND THE KIT WIRE ASM-PIGTAIL TO WIRE PREP TO BE INCORPORATED INTO A WIRE ASM.
- 4 ROUTE WIRES THRU ROOF
- 3 WIRE INTEGRAL TO SIDEWALL.
- 2 WIRE ROUTE PASSES THRU FLOOR.
- 1 ALL WIRES TO BE SECURED WITH CLAMP 10495-01-000 OR CLIP 80734-01-000 EVERY 800MM. USE SCREW 667-10-12B UNLESS OTHERWISE SPECIFIED.

- (168) GEN-2.8KW ONAN MICROLITE
- (265) CODES/STANDARDS-CSA/CMVSS
- (1B1) CODES/STANDARDS USA

FIRST USED	03 221B
DO NOT SCALE DRAWING	
TITLE	WIRING INSTL-BODY, 12V
SHEET 2	PART NO 141836



LFSN2
3

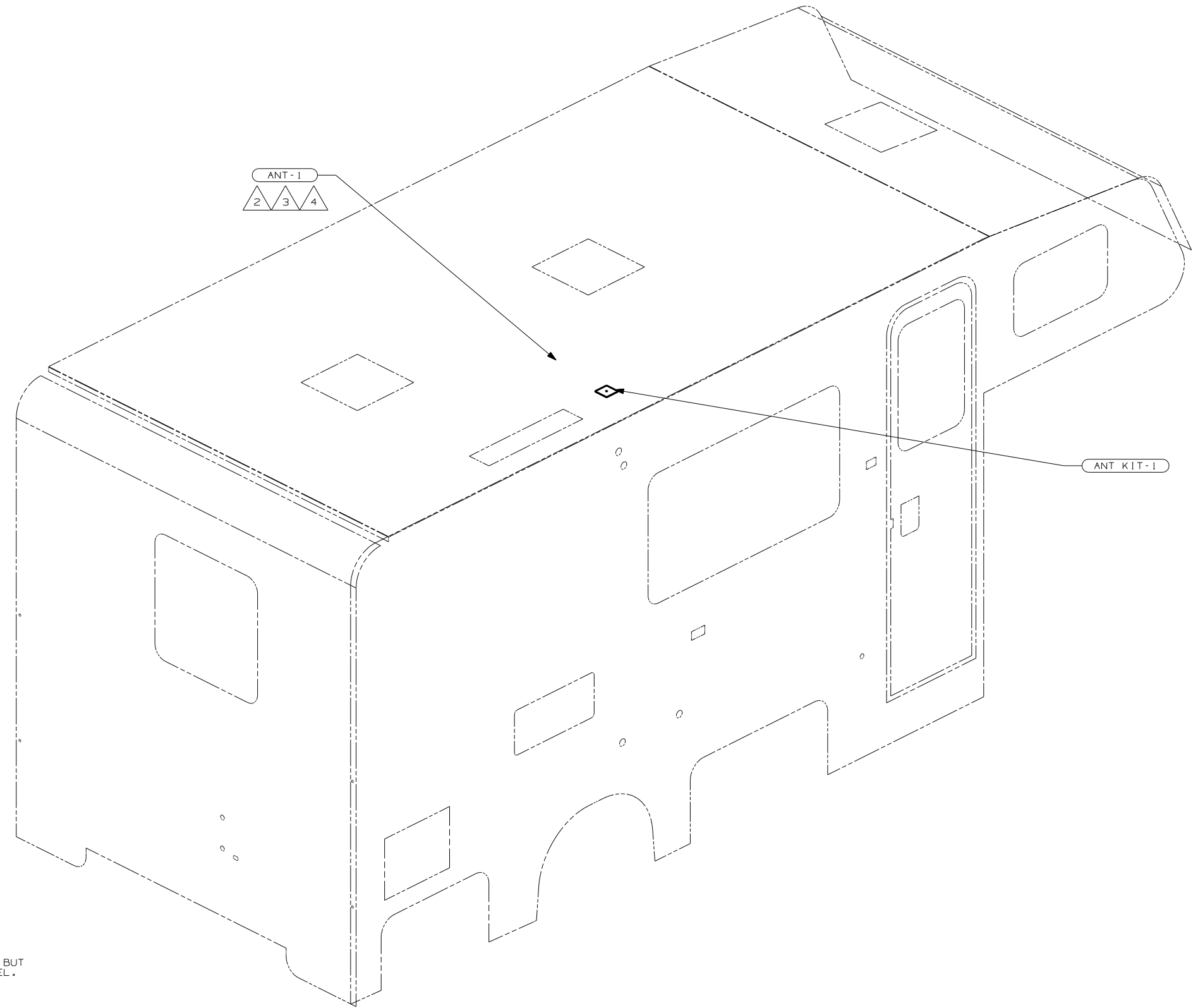
LSH-1

(265) CODES/STANDARDS - CSA/CMVSS

(1B1) CODES/STANDARDS USA

(1B1) (265)

FIRST USED	03 221B	
TITLE:	DO NOT SCALE DRAWING	
	WIRING INSTL-BODY, 12V	
SHEET 3	PART NO	141836



- 4 LOCATE CLAMP TO RETAIN CABLE BUT NOT TO RESTRICT ANTENNA TRAVEL.
- 3 SEE DRAWING 76319-01-000 FOR INSTALLATION OF TV ANTENNA.
- 2 ADD RUBBER BUMPER TO ROOF UNDER EACH END OF ANTENNA IN DOWN POSITION WHICH MAY COME INTO CONTACT WITH ROOF.
- 1 CONNECTOR-PLUG, TRAILER 113589-01-000 TO BE SUPPLIED LOOSE IN COACH WITH TRAILER TOW PACKAGE.

NOTES:

(265) CODES/STANDARDS - CSA/CMVSS
 (1B1) CODES/STANDARDS USA

(1B1) (265)

FIRST USED		03 221B	
DO NOT SCALE DRAWING			
TITLE: WIRING INSTL-BODY, 12V			
SHEET 4	PART NO 141836		