

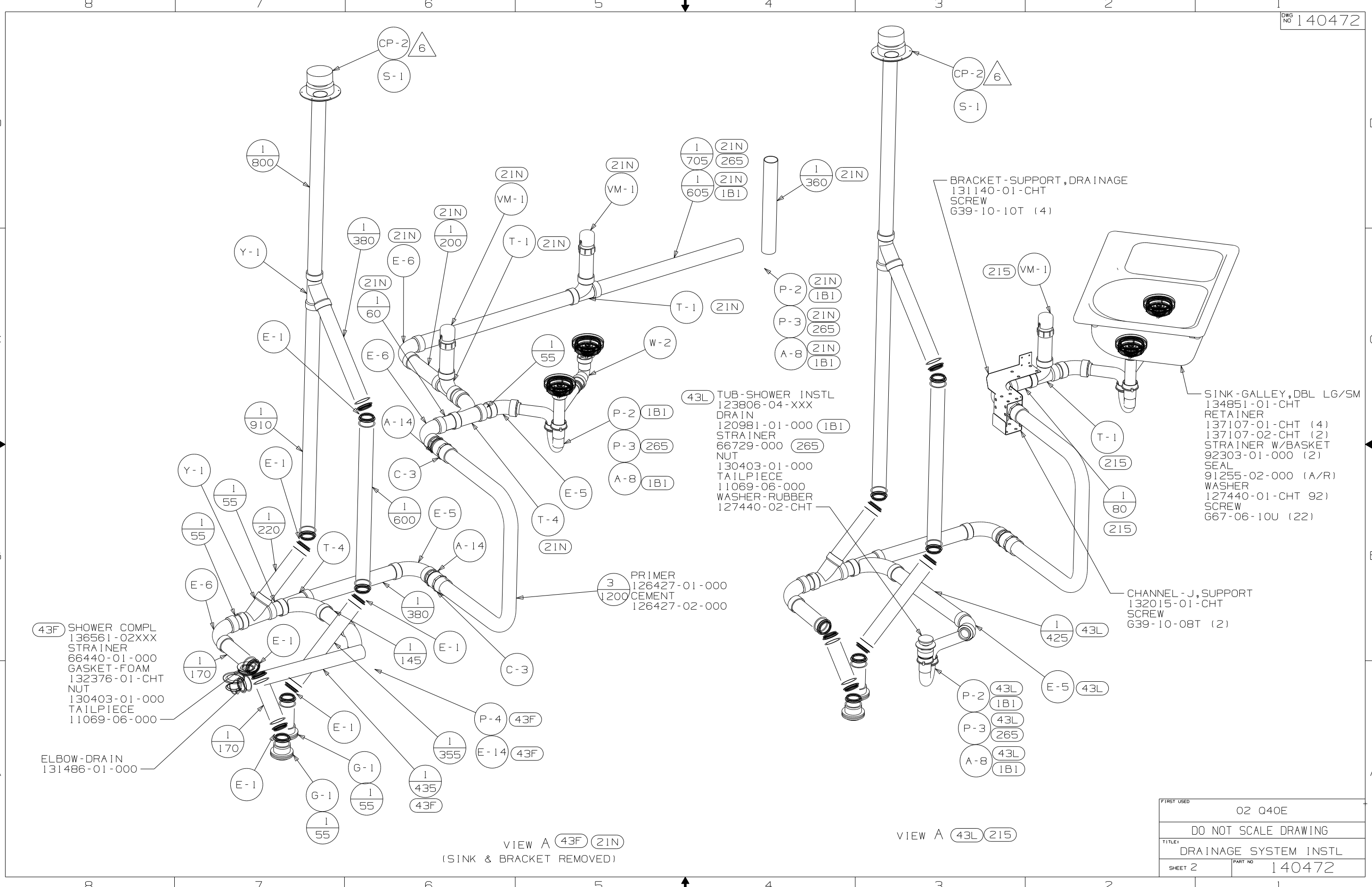
FRONT OF VEHICLE

- (43L) SHOWER/TUB W/WALL SURROUND
- (43F) SHOWER SURROUND
- (1B1) CODES/STANDARDS USA
- (265) CODES/STANDARDS-CSA/CMVSS
- (54E) WASHER/DRYER
- (21T) WASHER/DRYER WITHOUT
- (21N) DISHWASHER/BUILT-IN
- (215) DISHWASHER WITHOUT

- NOTES:
1. SLOPE OF HORIZONTAL PIPING TO BE 6 PER 305 MM.
 2. SLOPE OF TRAP ARM MUST BE 6 PER 305 MM.
 3. ALL PIPE AND FITTINGS TO BE ASSEMBLED WITH SOLVENT 4020-01-000.
 4. ALL EXTERIOR OPENINGS AROUND PIPE TO BE SEALED WITH 110744-01-000.
 5. SEAL AROUND SHOWER WITH SILICONE.
 6. VENT PIPE MUST PROJECT 51 MIN AND 63.5 MAX ABOVE ROOF FOR PROPER FIT AND FUNCTION.

WINNEBAGO		COPYRIGHT 2002 WINNEBAGO INDUSTRIES, INC.	
DFTR	ORIG. DATE	ALL DIMENSIONS ARE IN MILLIMETERS	
CHKR		FIRST USED	
P.E.		02 040E	
M.E.		UNSPECIFIED TOLERANCES ARE:	
DSNR		MATERIAL:	
		WHOLE DIM (X)	: 7
		ONE-PLACE (X.X)	:
		TWO-PLACE (X.XX)	:
		ANGLE	:
		THIRD ANGLE PROJECTION	
DO NOT SCALE DRAWING			
TITLE: DRAINAGE SYSTEM INSTL			
SHEET 1 OF 4	PART NO	140472	
REF:	1		

(X-X)
FOR
DRAINAGE
CALLOUTS
SEE DWG NO
116229-01-000



- 43F SHOWER COMPL 136561-02XXX
- STRAINER 66440-01-000
- GASKET-FOAM 132376-01-CHT
- NUT 130403-01-000
- TAILPIECE 11069-06-000

ELBOW-DRAIN 131486-01-000

- 43L TUB-SHOWER INSTL 123806-04-XXX
- DRAIN 120981-01-000 (1B1)
- STRAINER 66729-000 (265)
- NUT 130403-01-000
- TAILPIECE 11069-06-000
- WASHER-RUBBER 127440-02-CHT

- 3 PRIMER 126427-01-000
- 1200 CEMENT 126427-02-000

BRACKET-SUPPORT, DRAINAGE 131140-01-CHT
SCREW 639-10-10T (4)

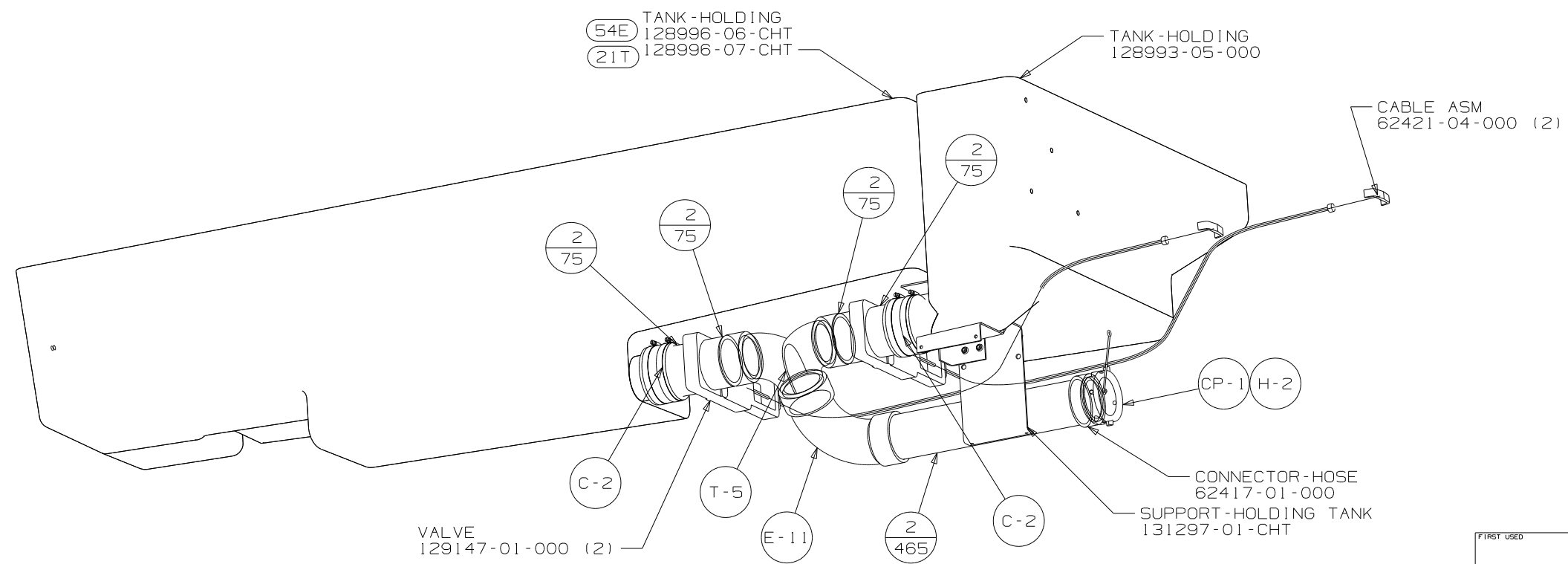
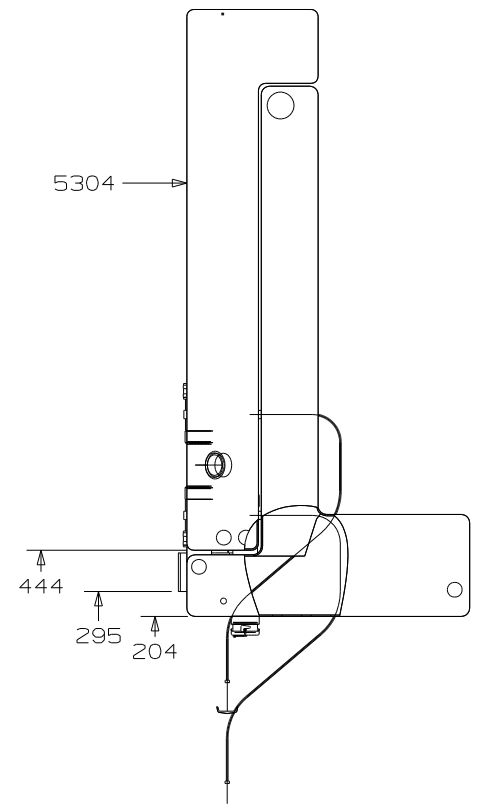
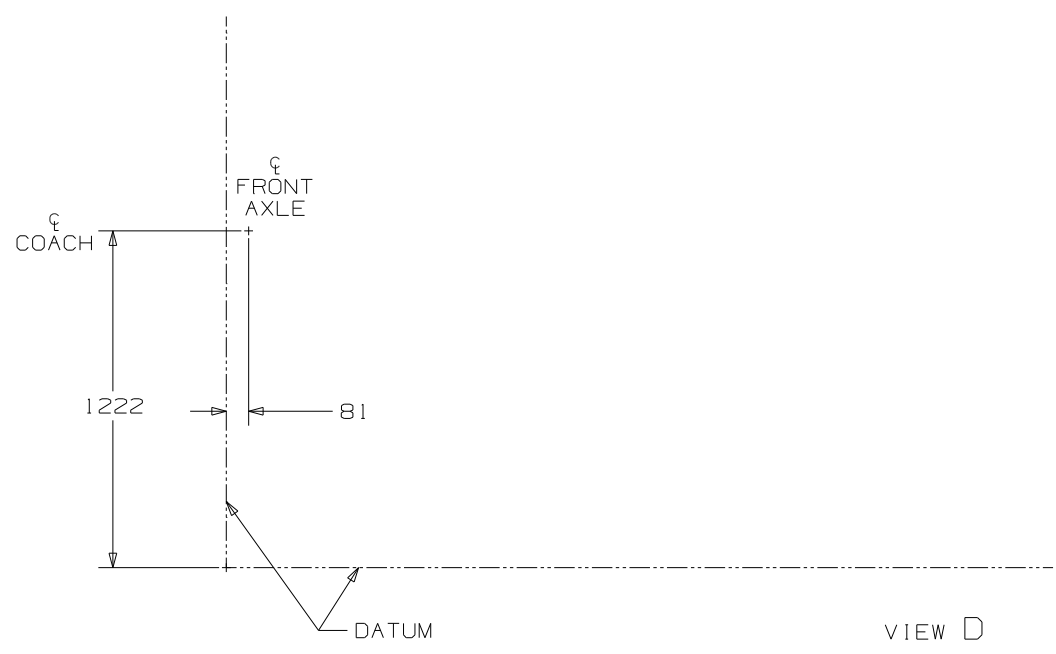
- SINK-GALLEY, DBL LG/SM 134851-01-CHT
- RETAINER 137107-01-CHT (4)
- 137107-02-CHT (2)
- STRAINER W/BASKET 92303-01-000 (2)
- SEAL 91255-02-000 (A/R)
- WASHER 127440-01-CHT 92)
- SCREW 667-06-10U (22)

CHANNEL - J, SUPPORT 132015-01-CHT
SCREW 639-10-08T (2)

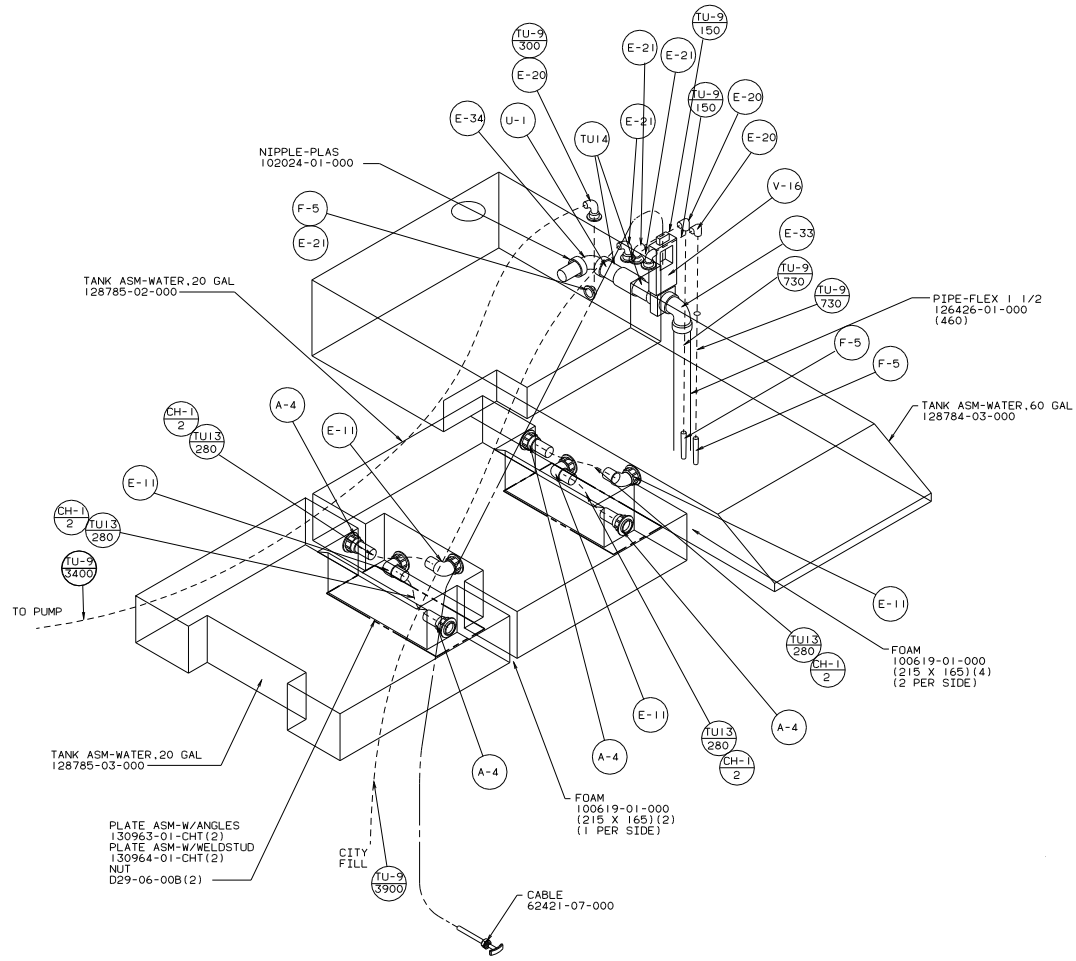
VIEW A (43F) (21N)
(SINK & BRACKET REMOVED)

VIEW A (43L) (215)

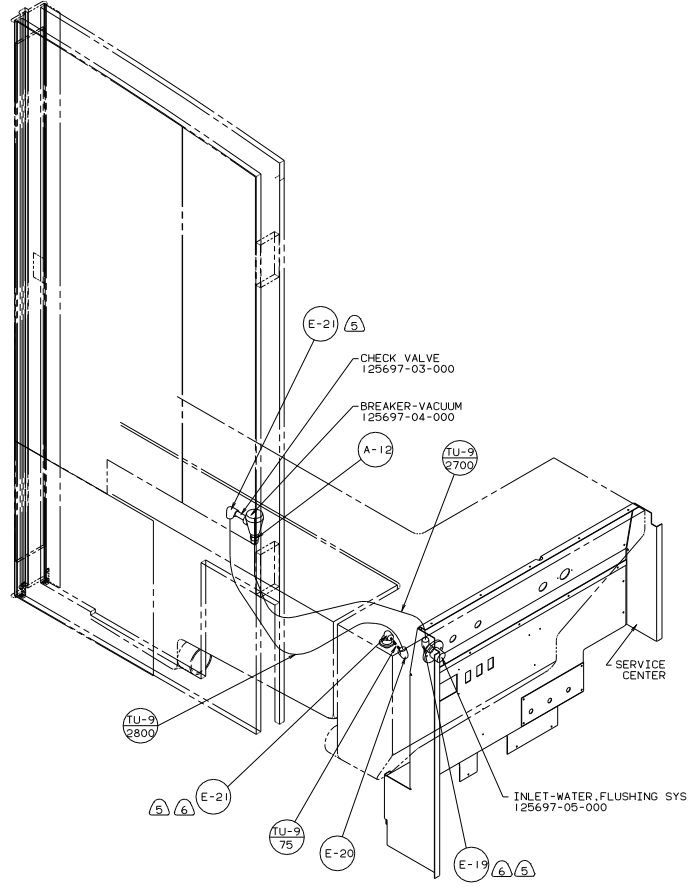
FIRST USED	02 Q40E
DO NOT SCALE DRAWING	
TITLE	DRAINAGE SYSTEM INSTL
SHEET 2	PART NO 140472



FIRST USED	02 Q40E
DO NOT SCALE DRAWING	
TITLE	DRAINAGE SYSTEM INSTL
SHEET 4	PART NO 140472



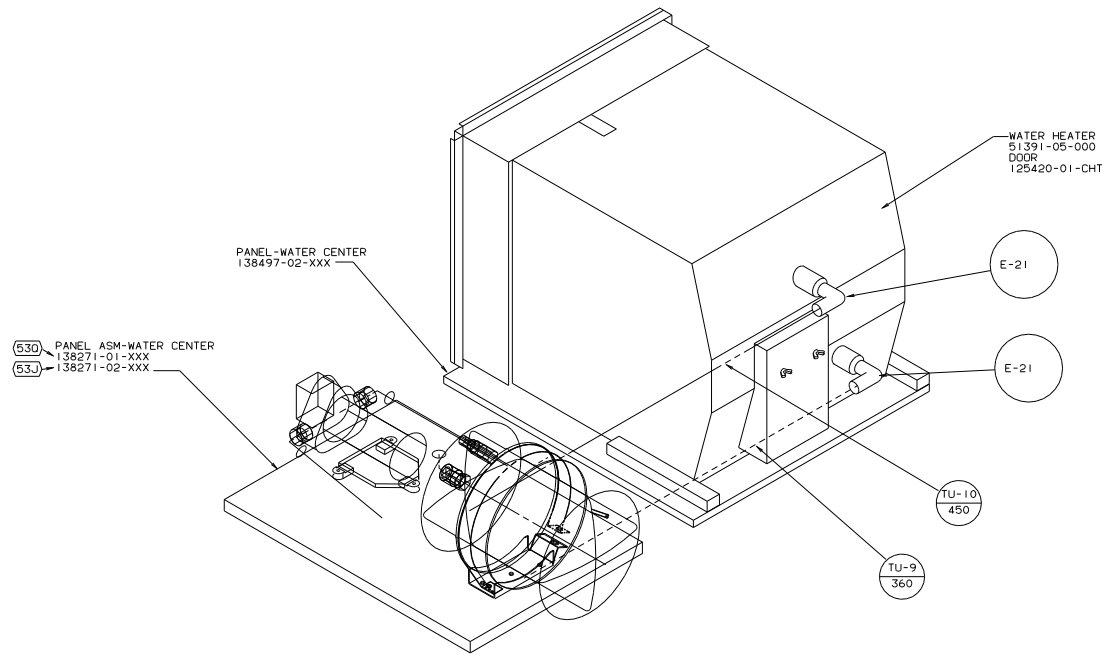
DETAIL A



DETAIL B
FLUSHING SYSTEM

02 Q40J, JD, WD, E

TITLE		WATER SYSTEM INSTL	
30 NET SCALE DRAWING	SIZE	DATE	137721
SHEET 2	OF 9	1 E	

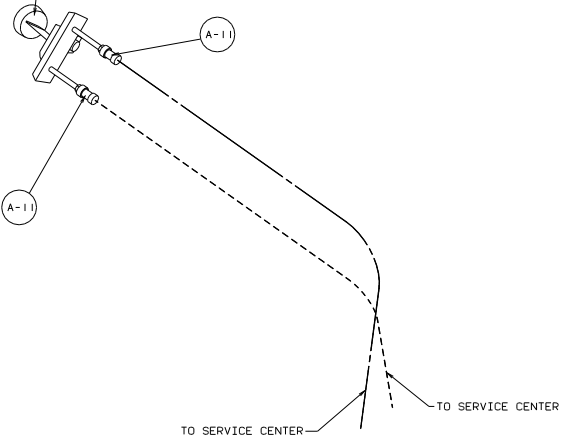


DETAIL C

02 Q40J, 4D, WD, E

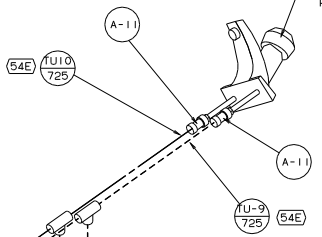
TITLE: WATER SYSTEM INSTL	
30 MET SCALE DRAWING	SIZE 11E
SHEET 3 of 9	DWG NO 137721

FAUCET
128997-01-CHT (40J)
FAUCET
134735-01-CHT (40JD,40WD)
POP UP FAUCET
110760-04-000 (JD,WD)



DETAIL H

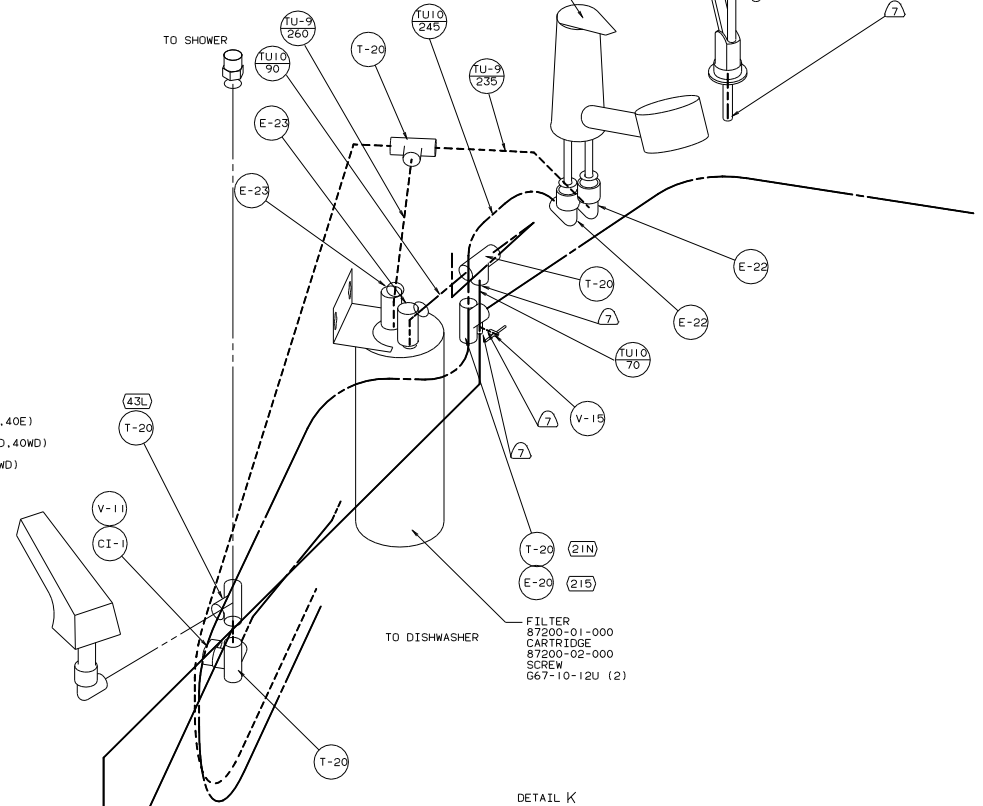
FAUCET
128997-01-CHT (40J,40E)
FAUCET
134735-01-CHT (40JD,40WD)
POP UP FAUCET
110760-04-000 (JD,WD)



DETAIL J

FAUCET
123744-03-CHT (40J,40E)
123744-01-CHT (40JD,40WD)
BACKING-FAUCET
139295-01-CHT

FAUCET
103635-01-000 (40J,40E)
103635-03-000 (40JD,40WD)

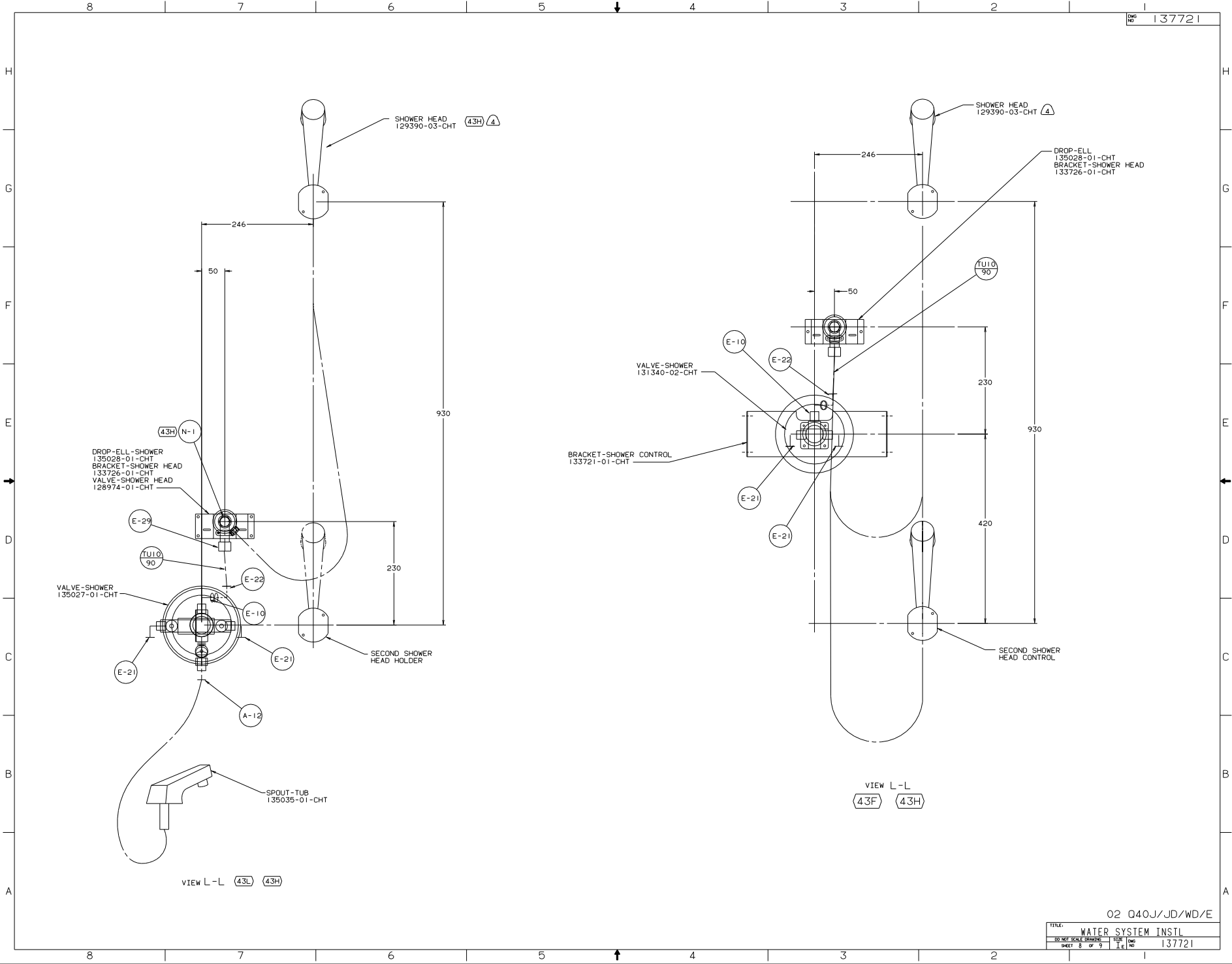


DETAIL K

FILTER
87200-01-000
CARTRIDGE
87200-02-000
SCREW
G67-10-12U (2)

02 Q40J, JD, WD, E

TITLE: WATER SYSTEM INSTL		DATE	DWG NO
30 NET SCALE DRAWING	SHEET	1	137721
SHEET 6	OF 8		



TITLE: WATER SYSTEM INSTL	
30 MET SCALE DRAWING	DATE
SHEET 8 OF 9	1/E
137721	

02 Q40J/JD/WD/E

