

TUB/SHOWER INSTL-ENCLOSURE
 123806-04-XXX
 DRAIN
 120981-01-000 (1B1)
 STRAINER
 66729-01-000 (265)
 NUT-STRAINER
 130403-01-000 (12)
 TAILPIECE
 11069-06-000
 WASHER-RUBBER
 127440-02-CHT

(54U) G56-12-48B (8)
 F-7
 131786-03-CHT

SHOWER COMPL
 136561-02-XXX
 STRAINER
 066440-01-000
 GASKET-FOAM
 132376-01-CHT
 ELBOW-DRAIN
 131486-01-000

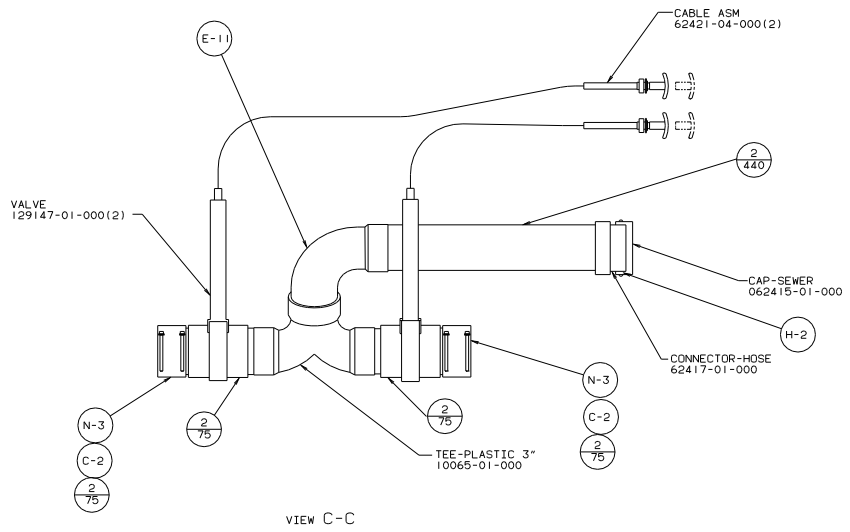
VIEW A-A (43L)

VIEW B-B

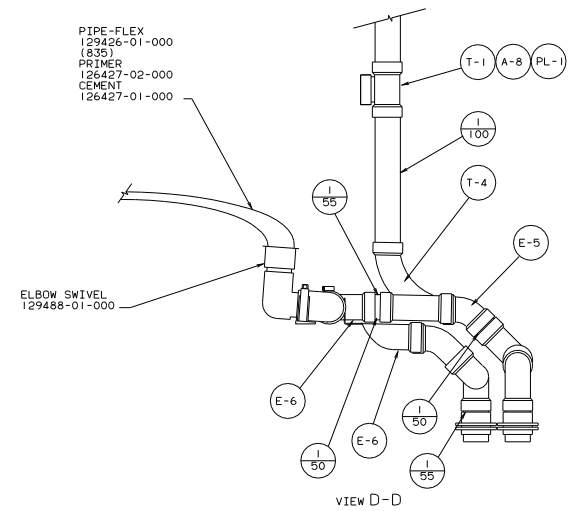
VIEW A-A (43F)

02 Q38K

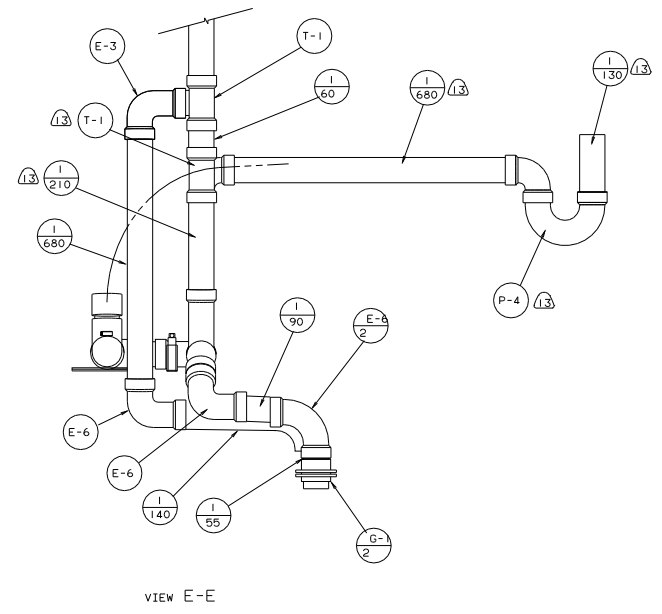
TITLE: DRAINAGE SYSTEM INSTL	
30 NET SCALE DRAWING	FIG 1 E
SHEET 2 OF 3	137723



VIEW C-C



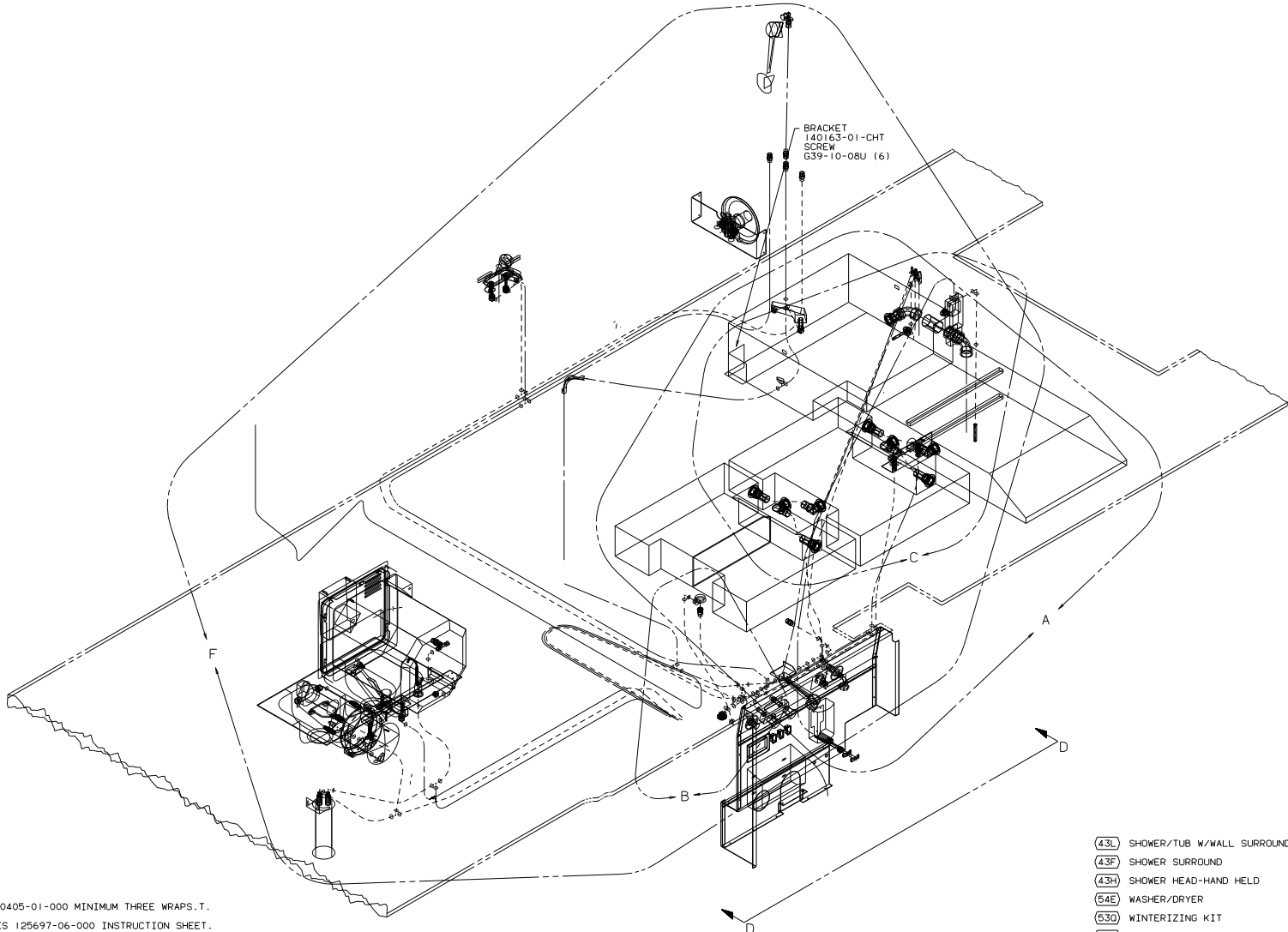
VIEW D-D



VIEW E-E

TITLE: DRAINAGE SYSTEM INSTL	
30-MIL SCALE DRAWING	FILE NO: 137723
SHEET 3 OF 3	DATE: 11/81

02 Q38K



- ① W/O (43H)
- ② WRAP WITH TEFLON TAPE 10405-01-000 MINIMUM THREE WRAPS.T.
- ③ FLUSHING SYSTEM REQUIRES 125697-06-000 INSTRUCTION SHEET.
- ④ INSTALL ON LINE.
- ⑤ INSTALL WITH TANK.
- ⑥ USE DETAIL "G" IN THIS AREA (BOTH ENDS OF TUBING).
- ⑦ ADD TEFLON TAPE 10405-02-000 TO FITTING.
- ⑧ ADD TEFLON TAPE 10405-03-000 TO FITTING.
- 3. ALL TUBING TO BE SECURED AT 1200 INTERVALS MAXIMUM WITH CLAMP 10495-01-000 OR CLIP 91951-01-000 AND SCREW G67-10-12B.
- 2. TUBING TO BE INSTALLED WITH SUFFICIENT SLOPE TO PROVIDE DRAINAGE TO NEAREST VALVE.
- 1. PLASTIC FITTINGS TO BE SEALED WITH SEALANT 84456-01-000.

- ④3L SHOWER/TUB W/WALL SURROUND
- ④3F SHOWER SURROUND
- ④3H SHOWER HEAD-HAND HELD
- ⑤4E WASHER/DRYER
- ⑤30 WINTERIZING KIT
- ⑤3J WATER HEATER BY-PASS-VALVE
- ②15 DISHWASHER WITHOUT
- ②1T WASHER/DRYER-WITHOUT
- ②1N DISHWASHER/BUILT-IN

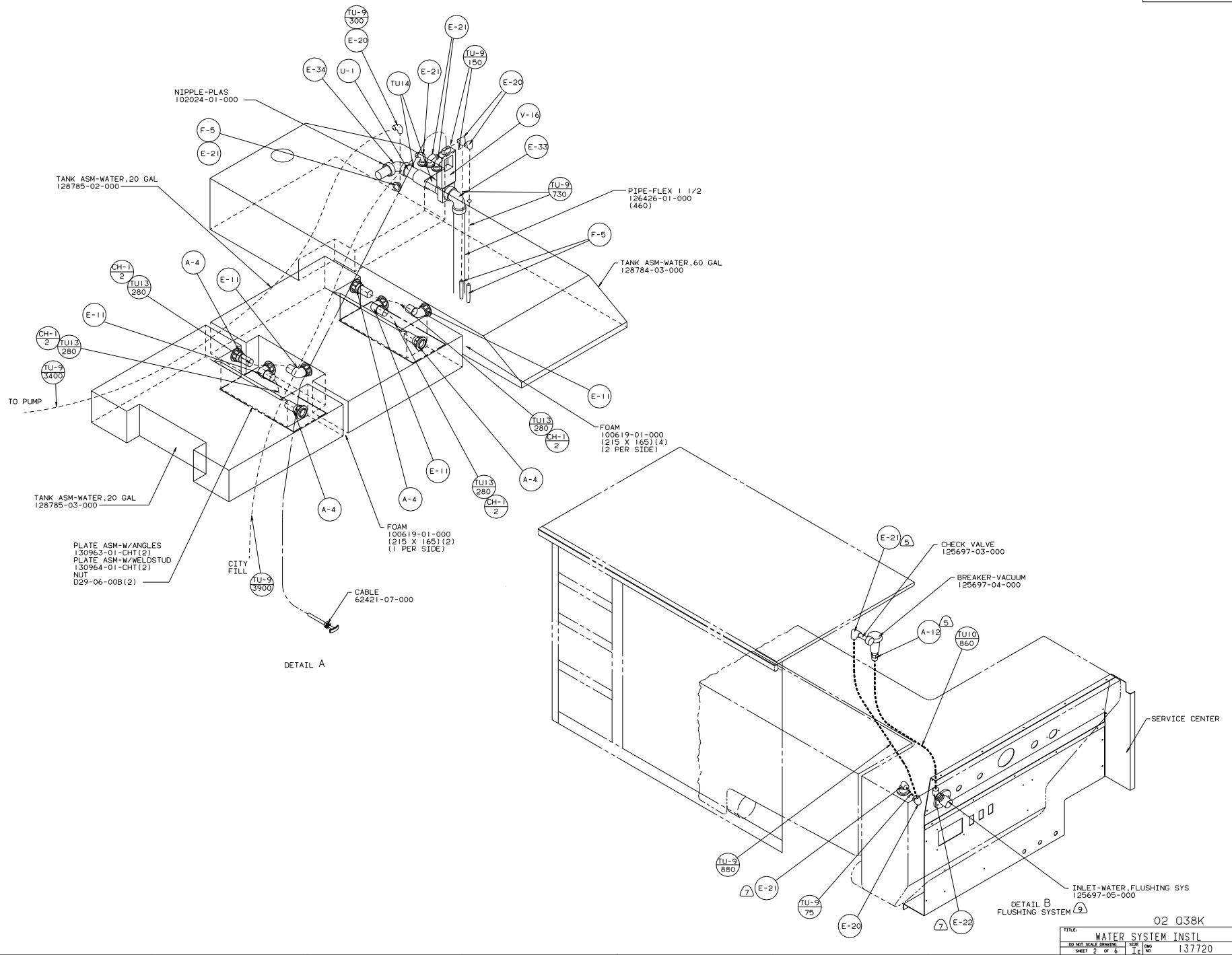
LEGEND	
HOT	-----
COLD	-----

(X-X)
 FOR WATER CALL-OUTS SEE DWG NO. 116230-01-000

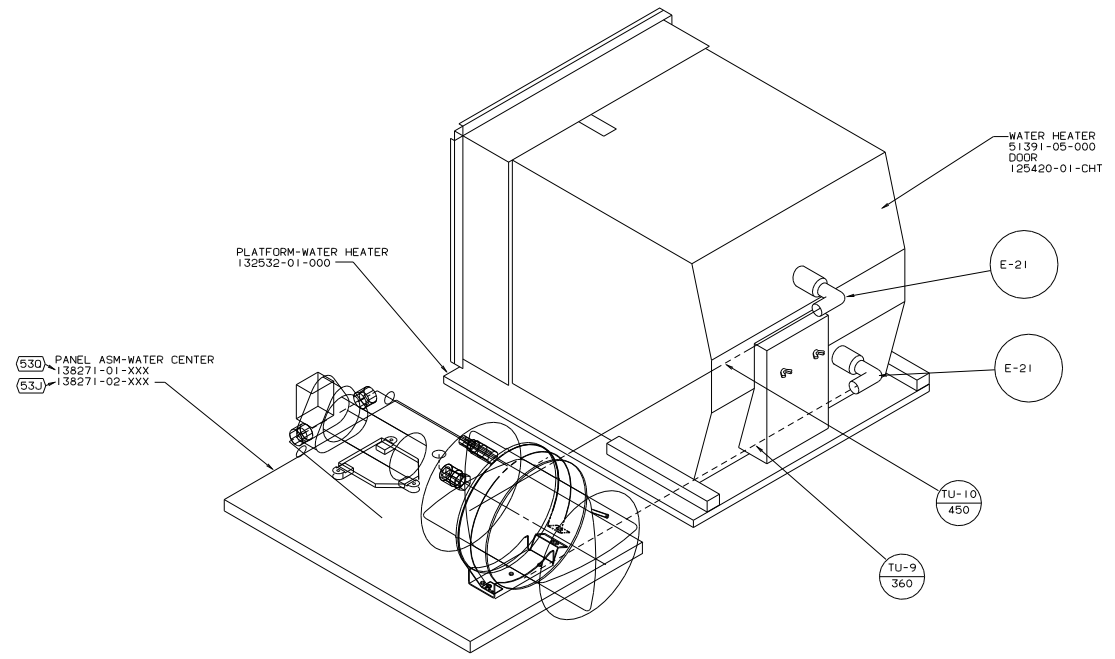
WINNERPAC INDUSTRIES, INC. **WINNERPAC** 02 038K

OP/IN	DATE	UNSPECIFIED TOLERANCES ARE:	MATERIAL
CHOP	DATE	WHOLE DIM (IN)	F
F/F	DATE	ONE-PLACE (IN.XI)	.
F/E	DATE	TWO-PLACE (IN.XX)	.
CONP	DATE	THIRD ANGLE PROJECTION	⊕

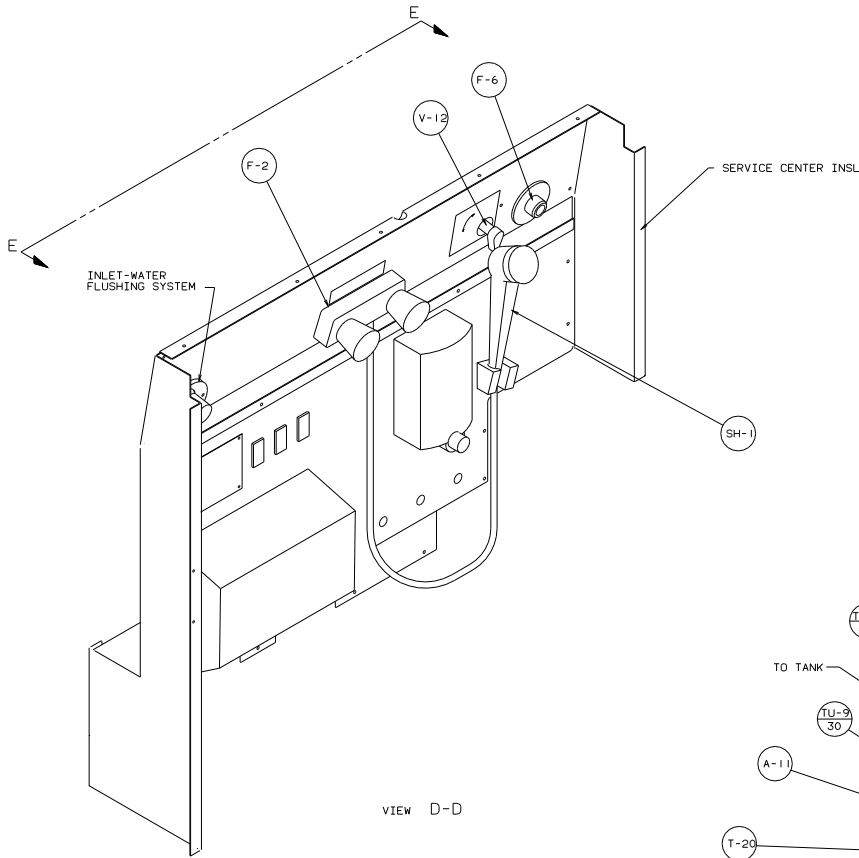
LANE# 038K TITLE: WATER SYSTEM INSTL
 DIA # SCALE: NONE 3D NET SCALE DRAWING SIZE: 11.6
 ALL DIMENSIONS ARE IN MILLIMETERS SHEET 1 OF 5 REF: 135146 F 137720



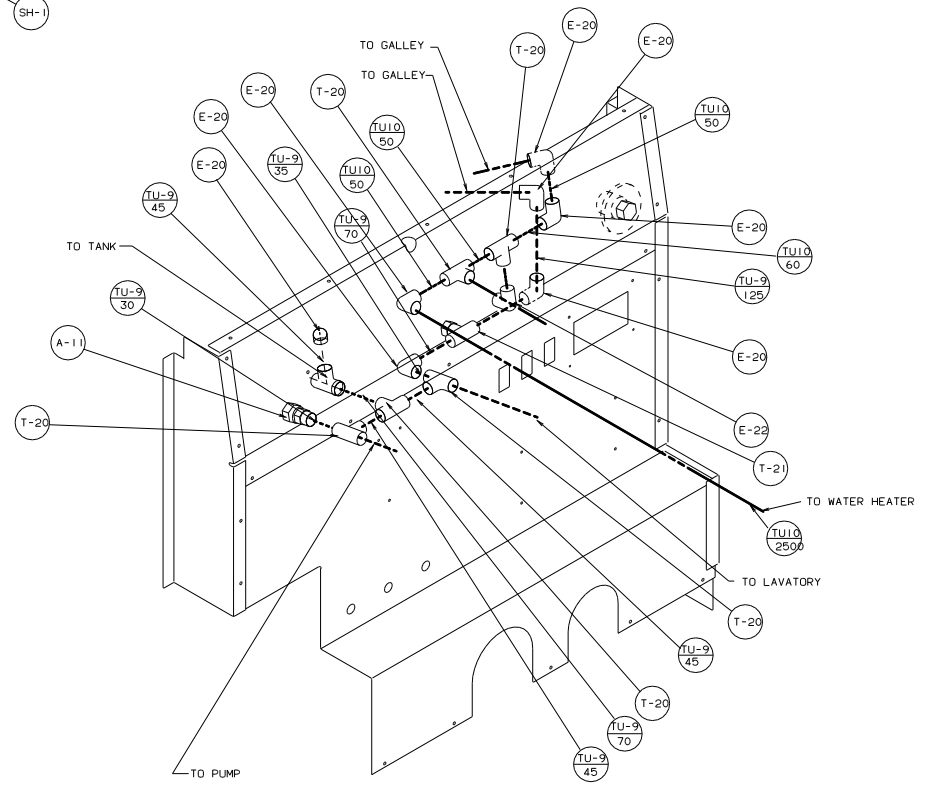
TITLE: WATER SYSTEM INSTL		O2 Q38K	
30 MIL SCALE DRAWING	DATE	1	137720
SHEET 2 OF 6	REV	1	



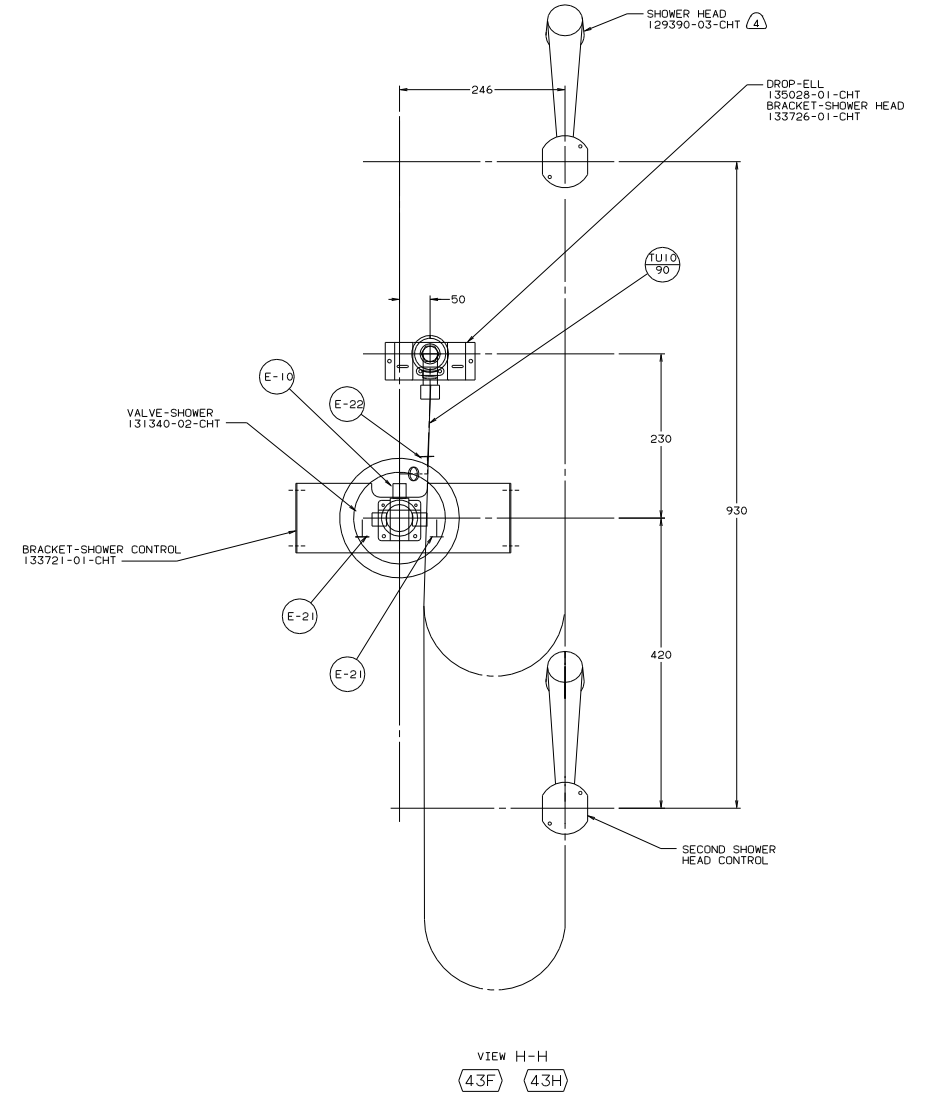
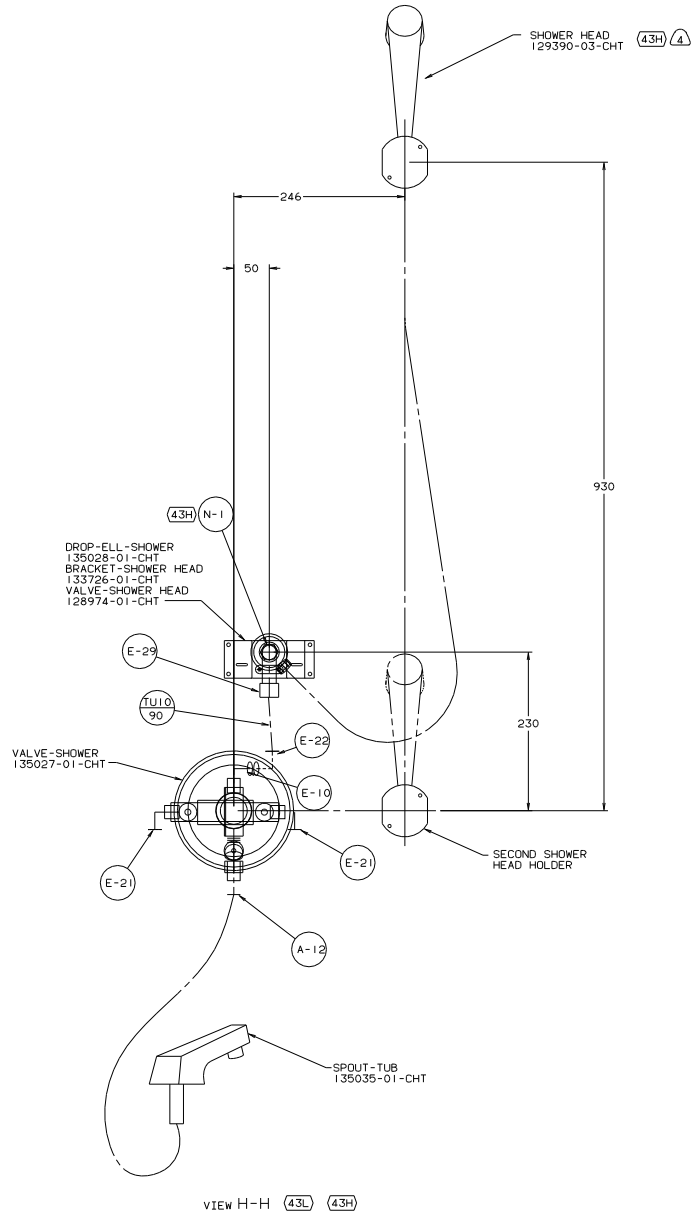
DETAIL C



VIEW D-D



VIEW E-E



02 Q38K

TITLE: WATER SYSTEM INSTL	
30 MET SCALE DRAWING	DATE
SHEET 6 OF 6	1/E
	DWG NO 137720