



DANGER

Danger of electrical shock, burns or death. Always remove all power sources before attempting any repair, service or diagnostic work. Power can be present from shore power, generator, inverter or battery. All power sources must be disabled and secured before performing any service.



CAUTION

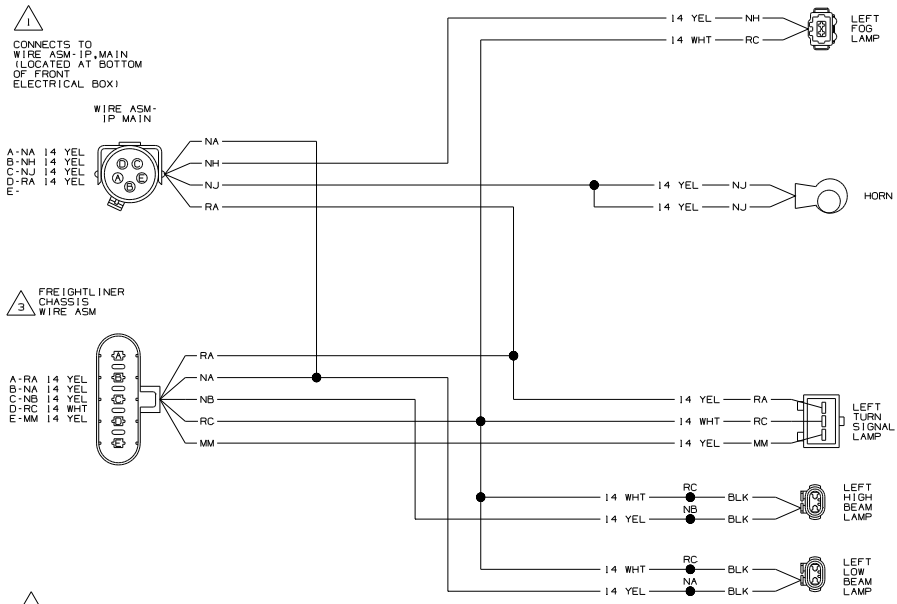
If you lack the skills, tools or equipment to perform diagnostic or repair work leave such work to an authorized Winnebago Industries dealer or other qualified shop.



WIRING DIAGRAM-LAMP, SIDEMARKER
 (CENTER LEFT)
 (WIRE ASM 107775-04)

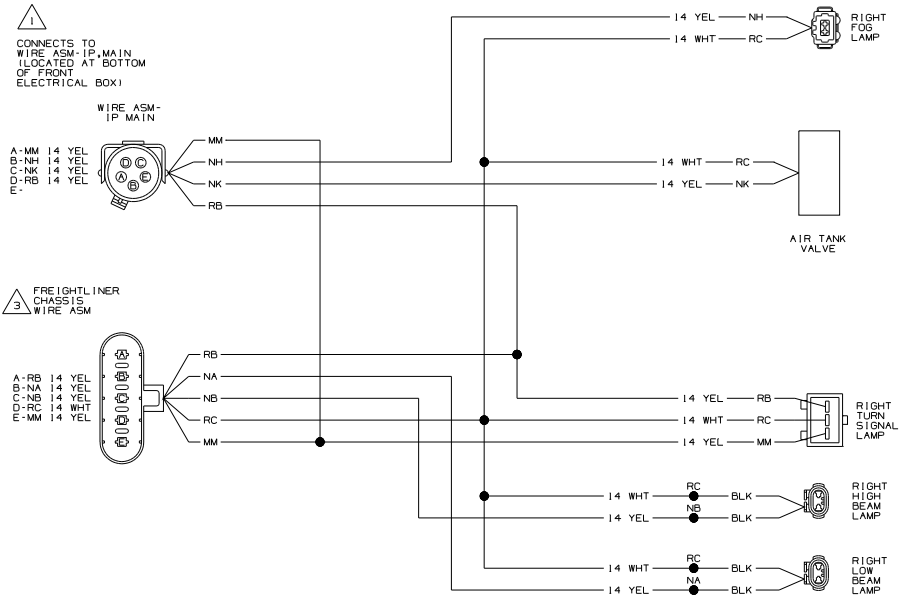


WIRING DIAGRAM-LAMP, SIDEMARKER
 (CENTER RIGHT)
 (WIRE ASM 107775-04)



WIRING DIAGRAM-HEADLAMP, LEFT
 (WIRE ASM 132275-01)

- NOTES:
 3 SEE MANUFACTURER'S DIAGRAM FOR ADDITIONAL INFORMATION.
 2 SEE WIRING DIAGRAM-BODY FOR ADDITIONAL INFORMATION.
 1 SEE WIRING DIAGRAM AUTO FOR ADDITIONAL INFORMATION.



WIRING DIAGRAM-HEADLAMP, RIGHT
 (WIRE ASM 132276-01)

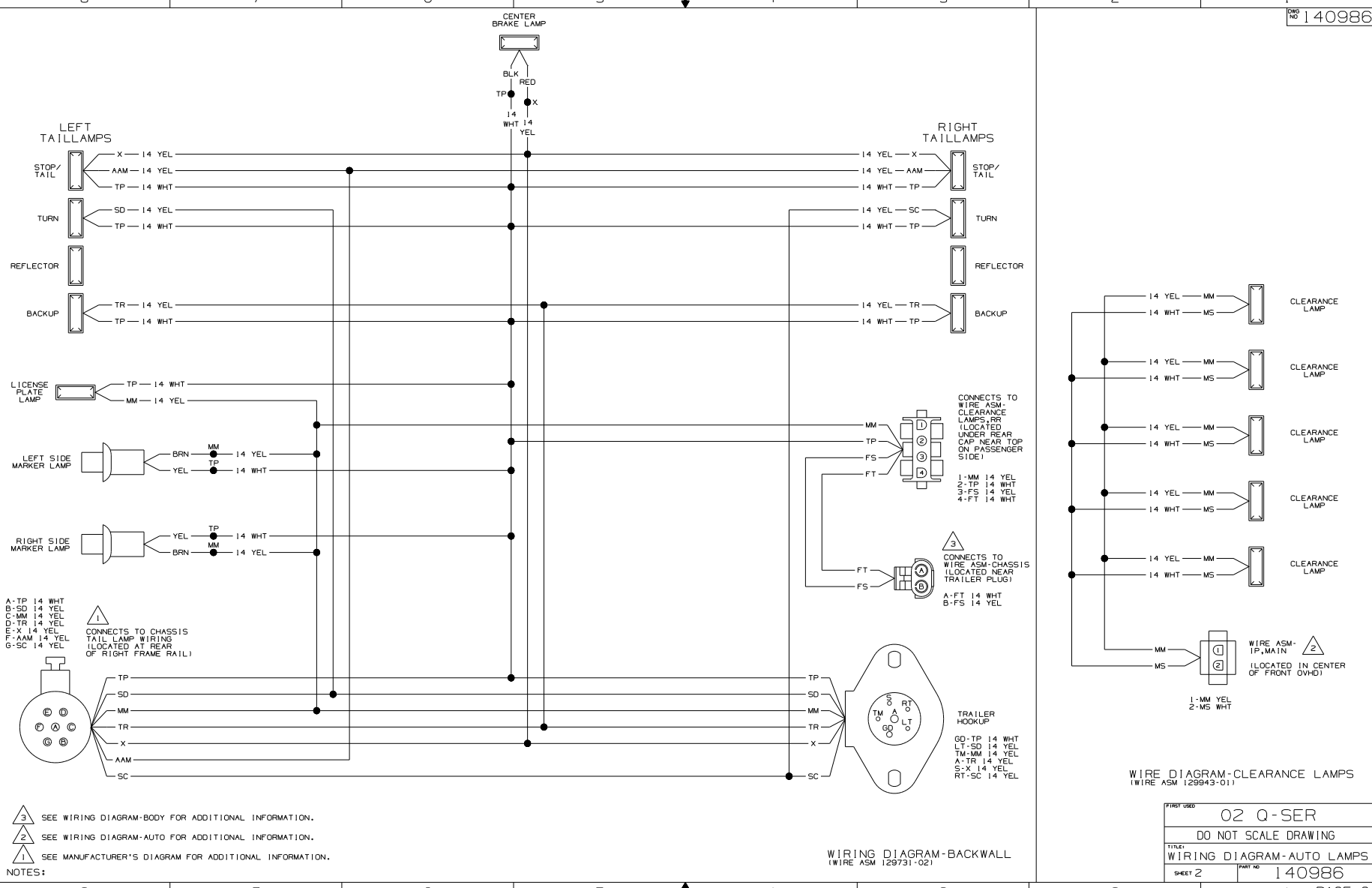
WINNEBAGO

ORIG. DATE 10/16/01
 ORG. ALL DIMENSIONS ARE IN MILLIMETERS
 P.E. FIRST USED
 W.E. 02 Q-SER
 UNSPECIFIED TOLERANCES ARE: MATERIAL:
 SINGLE DIA (.1) +
 ONE-PLACE (.1, .1) +
 TWO-PLACE (.1, .001) +
 HOLE . +

THIRD ANGLE PROJECTION

DO NOT SCALE DRAWING

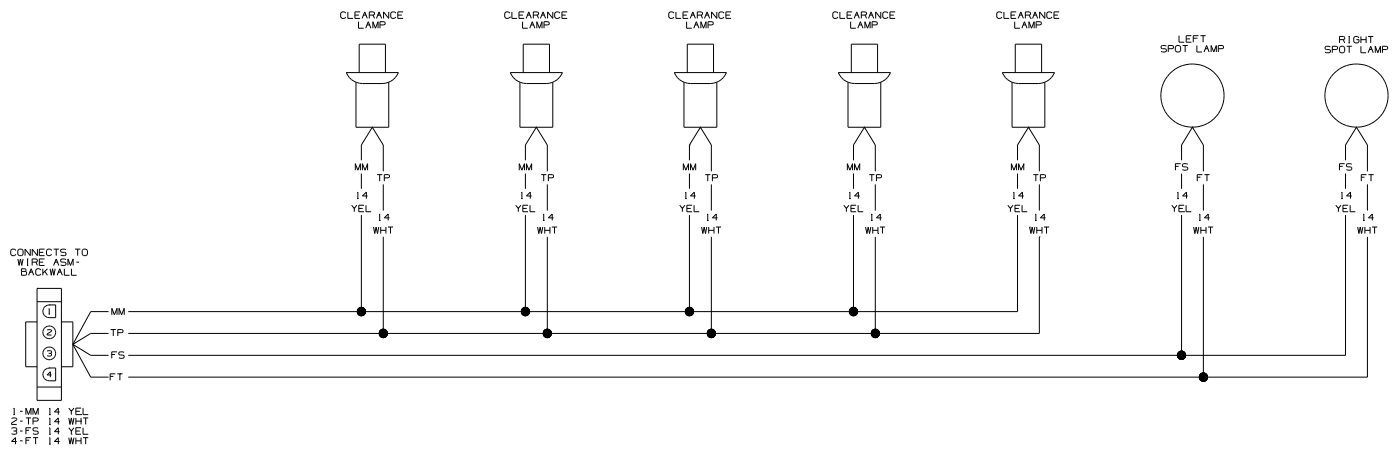
TITLE: WIRING DIAGRAM-AUTO LAMPS
 SHEET 1 of 3 PART NO 140986



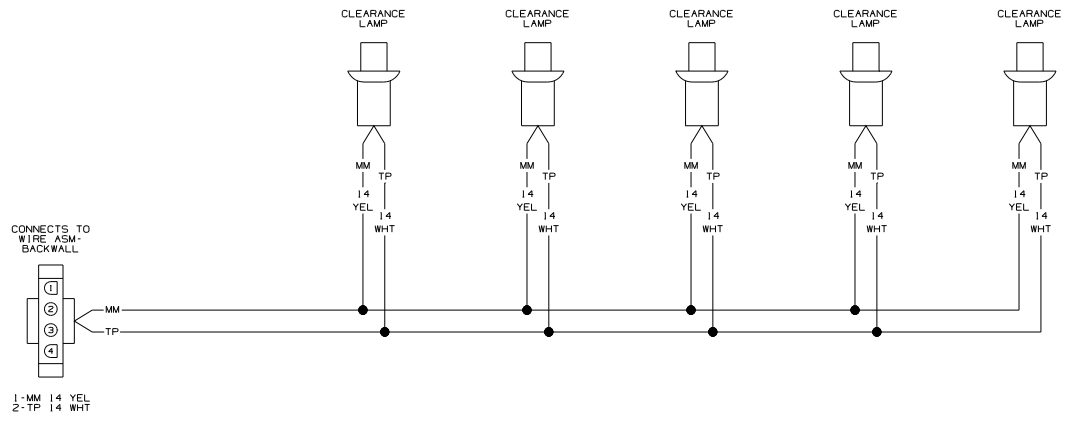
WIRING DIAGRAM-BACKWALL (WIRE ASM 129731-02)

WIRE DIAGRAM-CLEARANCE LAMPS (WIRE ASM 129943-01)

FIRST USED		02 Q-SER	
DO NOT SCALE DRAWING			
TITLE:			
WIRING DIAGRAM-AUTO LAMPS			
SHEET 2	PART NO		140986



WIRE DIAGRAM-CLEARANCE LAMPS
(WIRE ASM 129365-01)
(WITH ALT FREEDOM)



WIRE DIAGRAM-CLEARANCE LAMPS
(WIRE ASM 129365-02)
(WITH ALT ADVANTAGE)

FIRST USED		02 Q-SER	
DO NOT SCALE DRAWING			
TITLE:			
WIRING DIAGRAM-AUTO LAMPS			
SHEET 3	PART NO	140986	