



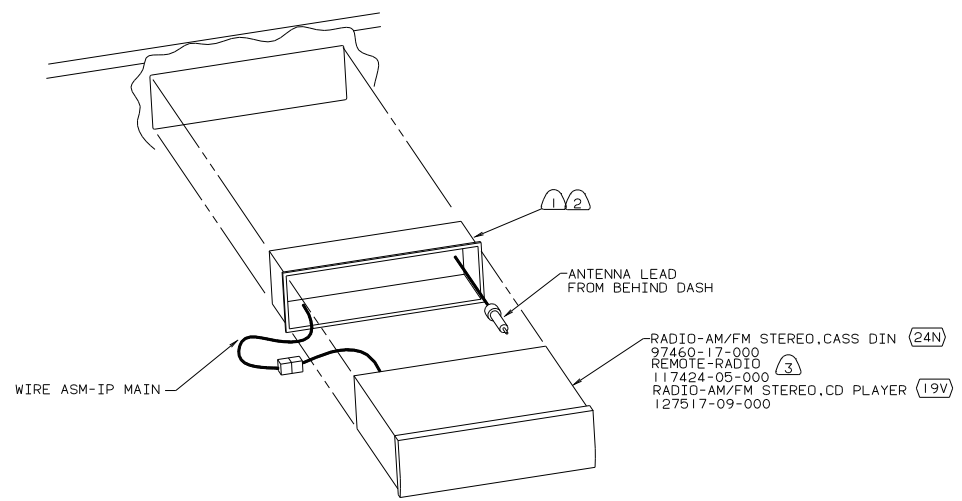
DANGER

Danger of electrical shock, burns or death. Always remove all power sources before attempting any repair, service or diagnostic work. Power can be present from shore power, generator, inverter or battery. All power sources must be disabled and secured before performing any service.



CAUTION

If you lack the skills, tools or equipment to perform diagnostic or repair work leave such work to an authorized Winnebago Industries dealer or other qualified shop.



- ③ REMOTE IS SUPPLIED WITH RADIO.
- ② BEND TABS ON ALL 4 SIDES TO SECURE MOUNTING BRACKET TO DASH OPENING.
- ① SUPPLIED WITH RADIO.

NOTES:

②4N RADIO-AM/FM/CASSETTE
 ①9V RADIO-AM/FM STEREO CD PLAYER
 Q-SERIES

TITLE		RADIO INSTL	
DO NOT SCALE DRAWING	SHEET 6 OF 7	SIZE	DWG NO 137566
		ID	