

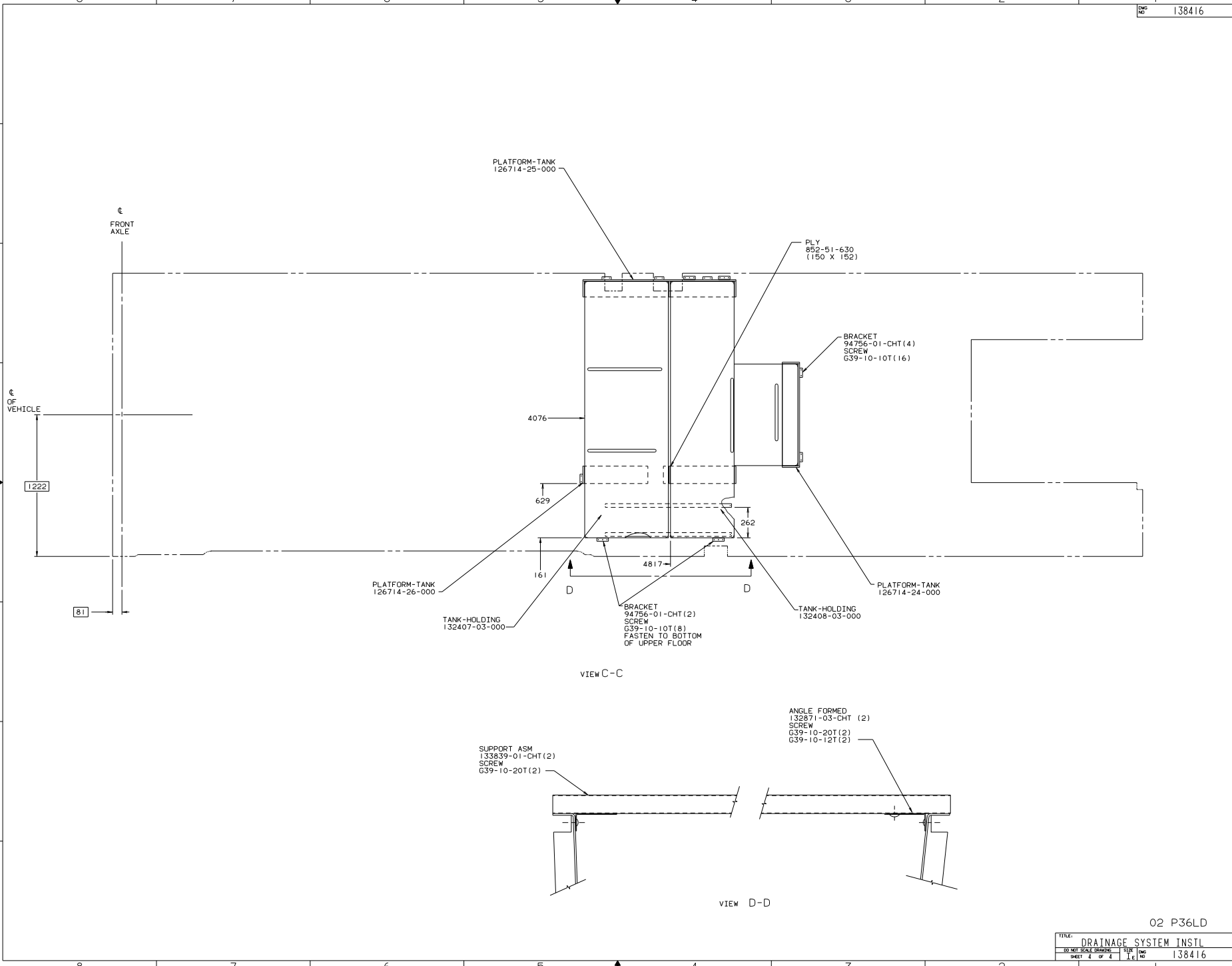
- PIPE FLEX  
126426-01-000  
(1120)
- PRIMER  
126427-02-000
- CEMENT  
126427-01-000
- CLAMP  
62401-05-000
- BRACKET-PIPE, VENT  
136878-01-CHT
- SINK-GALLEY, DBL  
134851-01-CHT (US/CAN)
- STRAINER  
92303-01-000 (2)
- SEAL  
91255-02-000 (A/R)
- ANGLE-FORMED  
140002-01-CHT (10)
- SCREW  
G67-06-10U (8)
- WASHER-RUBBER  
127440-02-CHT (2)

- TOILET  
132389-01-CHT  
SCREW  
87721-01-000 (8)
- TOILET  
136759-01-CHT  
SCREW  
87721-01-000 (8)

- BRACKET  
134703-01-CHT  
SCREW  
G39-10-10T (2)

VIEW A-A





PLATFORM-TANK  
126714-25-000

PLY  
852-51-630  
(150 X 152)

BRACKET  
94756-01-CHT (4)  
SCREW  
G39-10-10T (16)

FRONT  
AXLE

OF  
VEHICLE

1222

81

PLATFORM-TANK  
126714-26-000

TANK-HOLDING  
132407-03-000

4076

629

161

4817

BRACKET  
94756-01-CHT (2)  
SCREW  
G39-10-10T (8)  
FASTEN TO BOTTOM  
OF UPPER FLOOR

262

TANK-HOLDING  
132408-03-000

PLATFORM-TANK  
126714-24-000

VIEW C-C

SUPPORT ASM  
133839-01-CHT (2)  
SCREW  
G39-10-20T (2)

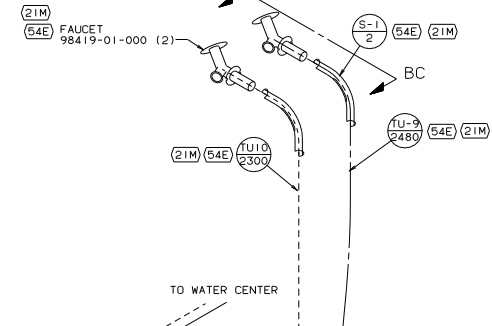
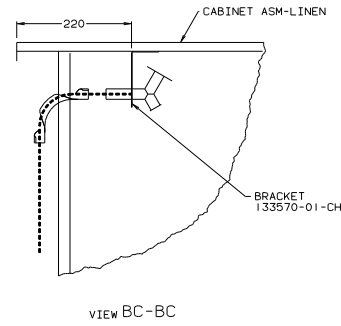
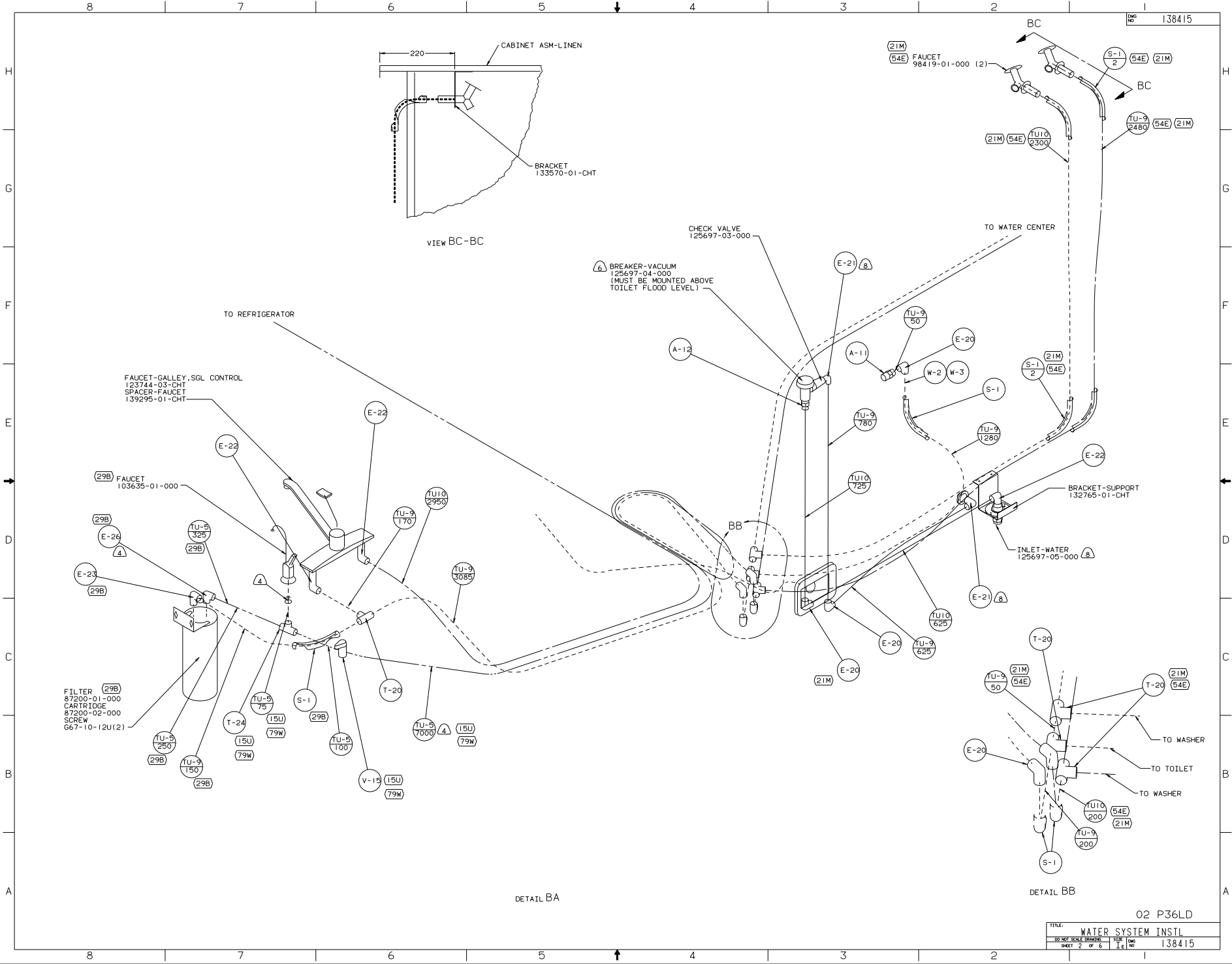
ANGLE FORMED  
132871-03-CHT (2)  
SCREW  
G39-10-20T (2)  
G39-10-12T (2)

VIEW D-D

02 P36LD

TITLE:		DRAINAGE SYSTEM INSTL	
30 MIL SCALE DRAWING	FILE NO	138416	
SHEET 4 OF 4	DATE		





CHECK VALVE 125697-03-000

(6) BREAKER-VACUUM 125697-04-000 (MUST BE MOUNTED ABOVE TOILET FLOOD LEVEL)

TO REFRIGERATOR

FAUCET-GALLEY, SGL CONTROL 123744-03-CHT  
 SPACER-FAUCET 139295-01-CHT

(29B) FAUCET 103635-01-000

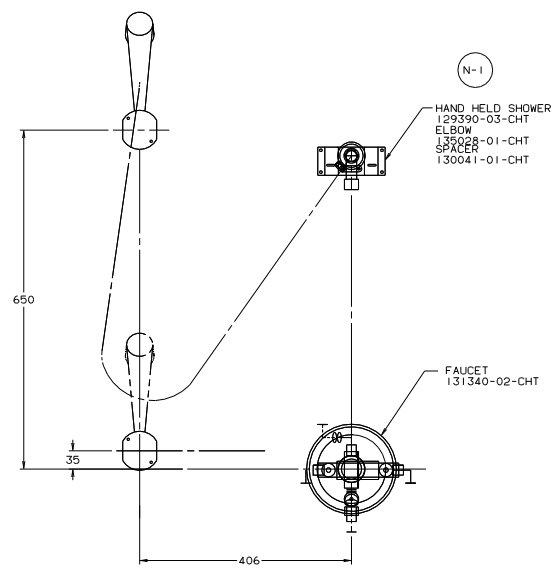
(29B) FILTER 87200-01-000  
 (29B) CARTRIDGE 87200-02-000  
 (29B) SCREW 667-10-12U(2)

BRACKET-SUPPORT 132765-01-CHT

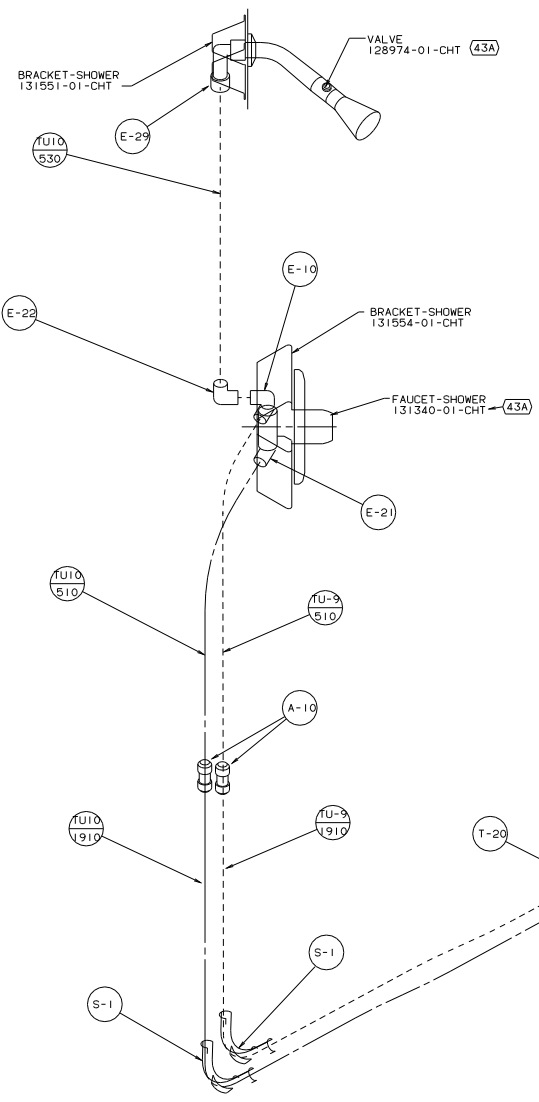
INLET-WATER 125697-05-000

DETAIL BA

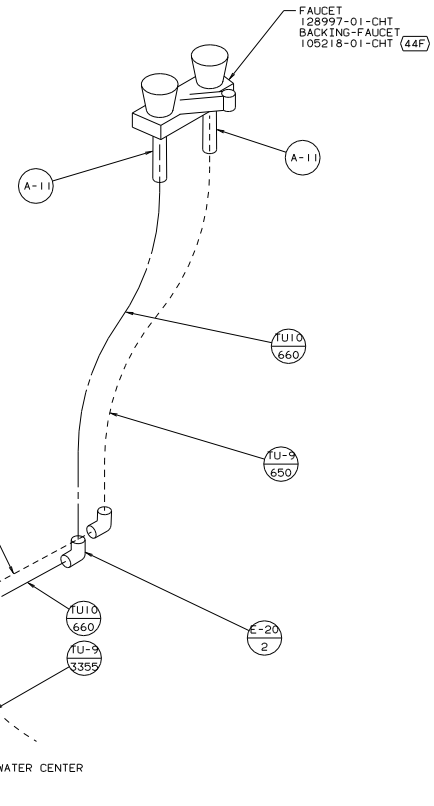
DETAIL BB

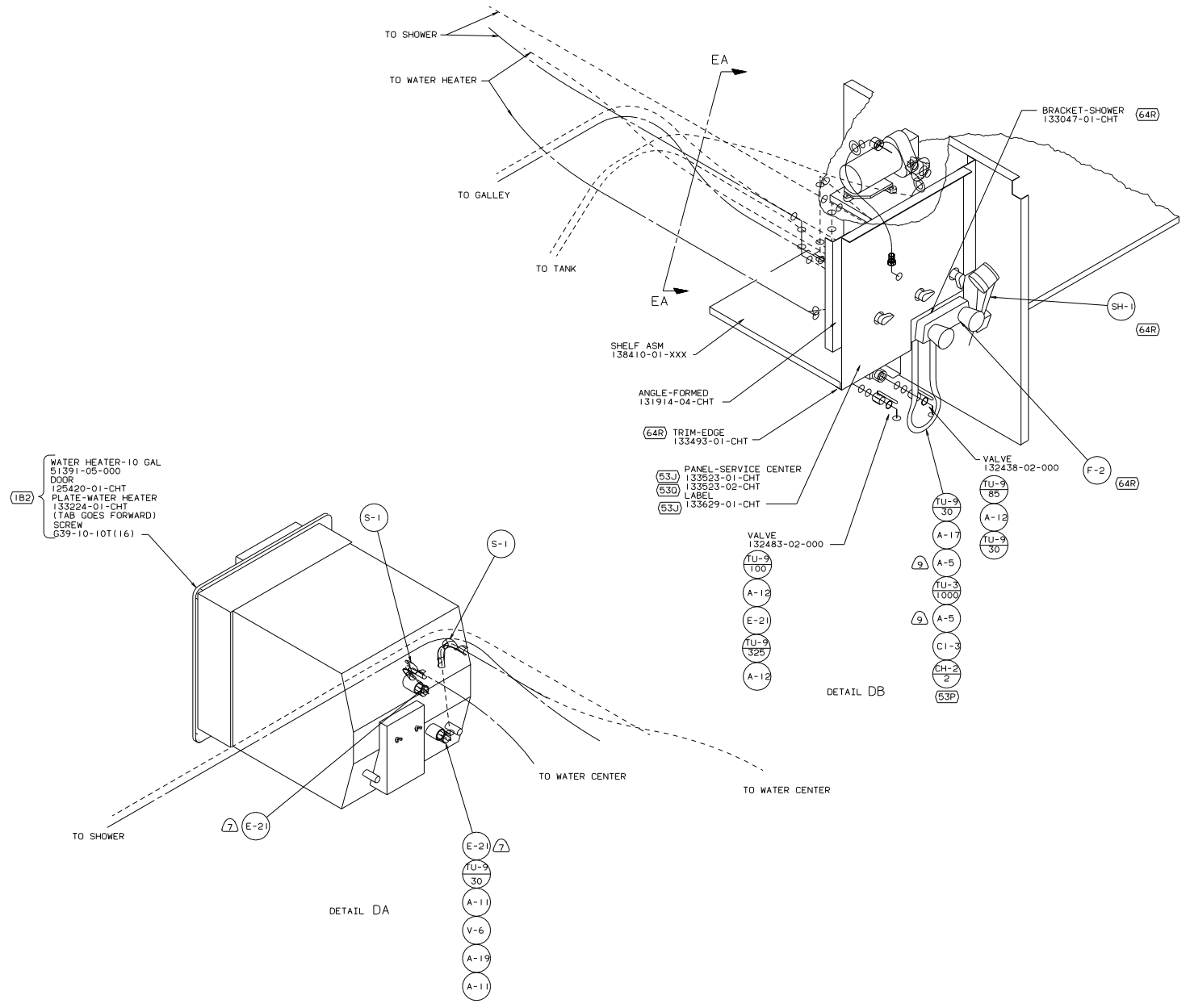


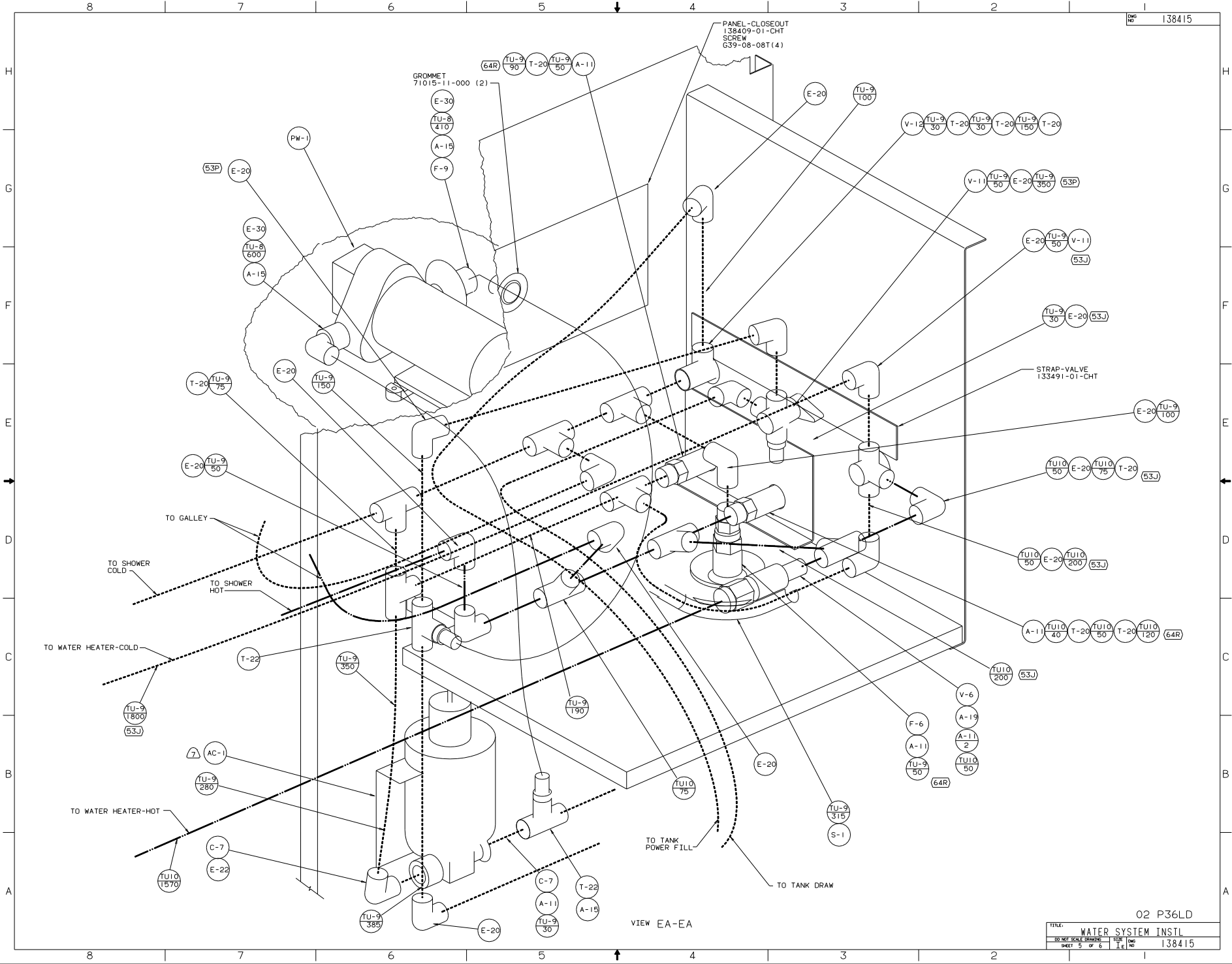
DETAIL FOR (43H) (9B1)



DETAIL CA







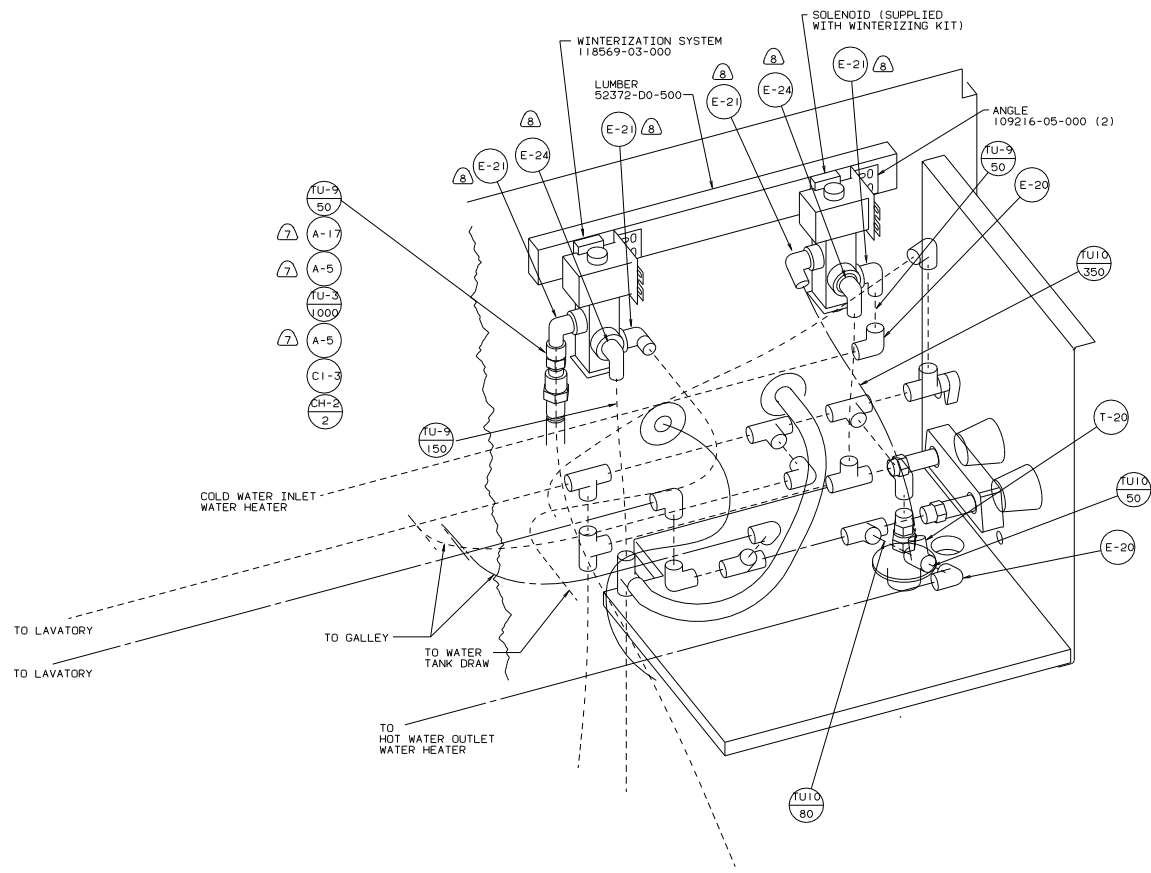
PANEL-CLOSEOUT  
133409-01-CHT  
SCREW  
G39-08-08T (4)

GROMMET  
71015-11-000 (2)

TITLE:		02 P36LD	
WATER SYSTEM INSTL		138415	
30 MIL SCALE DRAWING	SIZE	SHEET 5 OF 6	
	1/4"		

VIEW EA-EA

138415



DETAIL CA  
WINTERIZATION KIT (530)

TITLE:		02 P36LD	
WATER SYSTEM INSTL			
30 MIL SCALE DRAWING	DATE	1.1	NOV 80
SHEET 6 OF 6	FIG NO		138415