

- 11. ALL EXTERIOR OPENINGS AROUND PIPE TO BE SEALED WITH 110744.
- 10. TRIM TO FIT.
- 9. VENT PIPE MUST PROJECT 51 MIN AND 63.5 MAX ABOVE ROOF FOR PROPER FIT AND FUNCTION.
- 8. SEE DWG 61607-01-000 FOR INSTL OF GROMMETS.
- 7. SEAL ALL AROUND SHOWER WITH SILICONE.
- 6. COVER PIPE FROM ELBOW UP SCRAP 9CARPT-02 WHEN AVAILABLE OR 9CART-02+000 (150 X 178).
- 5. FASTEN TO BOTTOM OF UPPER FLOOR.

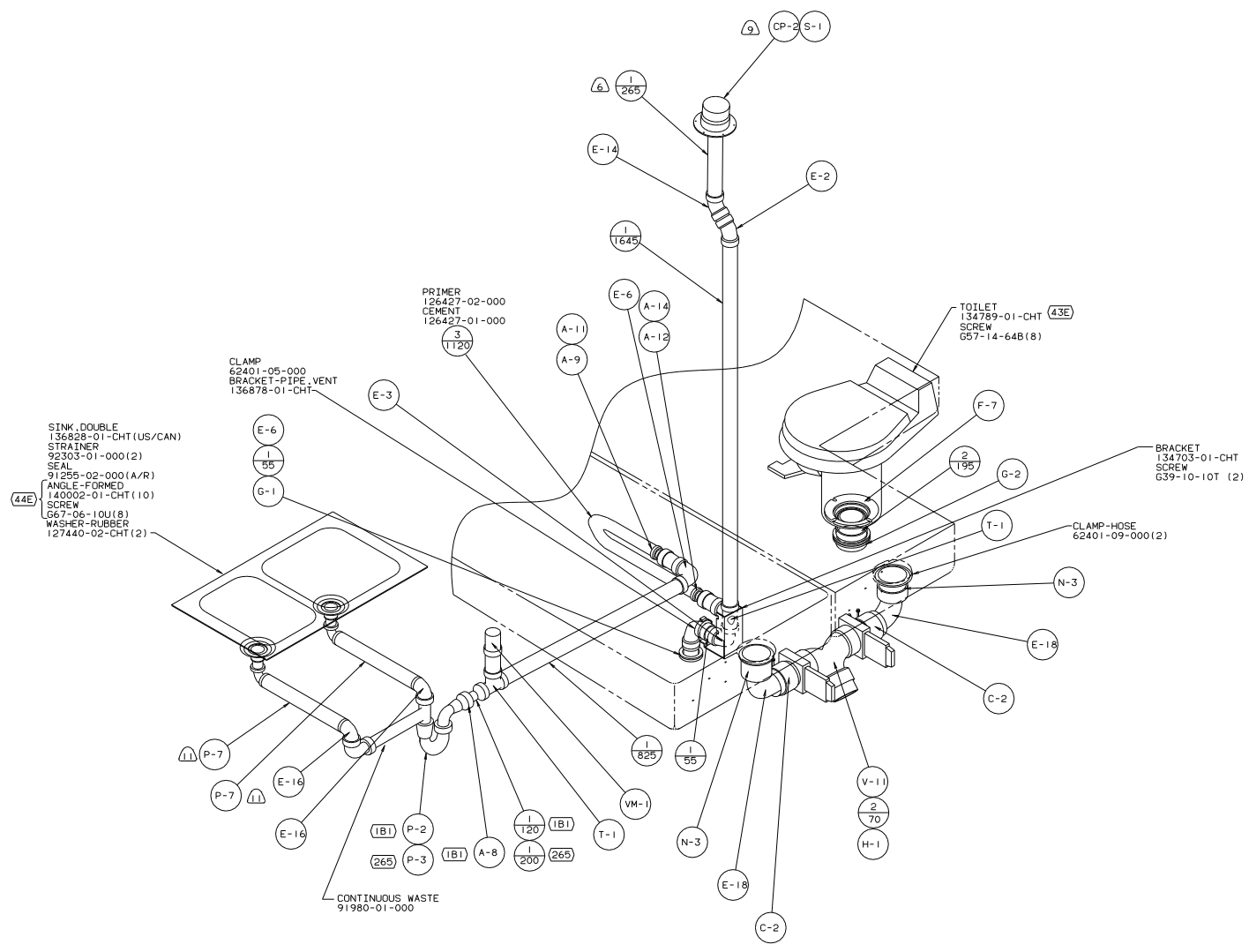
- 3. ALL PIPE AND FITTINGS TO BE ASSEMBLED WITH SOLVENT 4020-01-000.
- 2. SLOPE OF TRAP ARM MUST BE 6 PER 305.
- 1. SLOPE OF HORIZONTAL PIPING TO BE 6 PER 305 MIN.

NOTES:

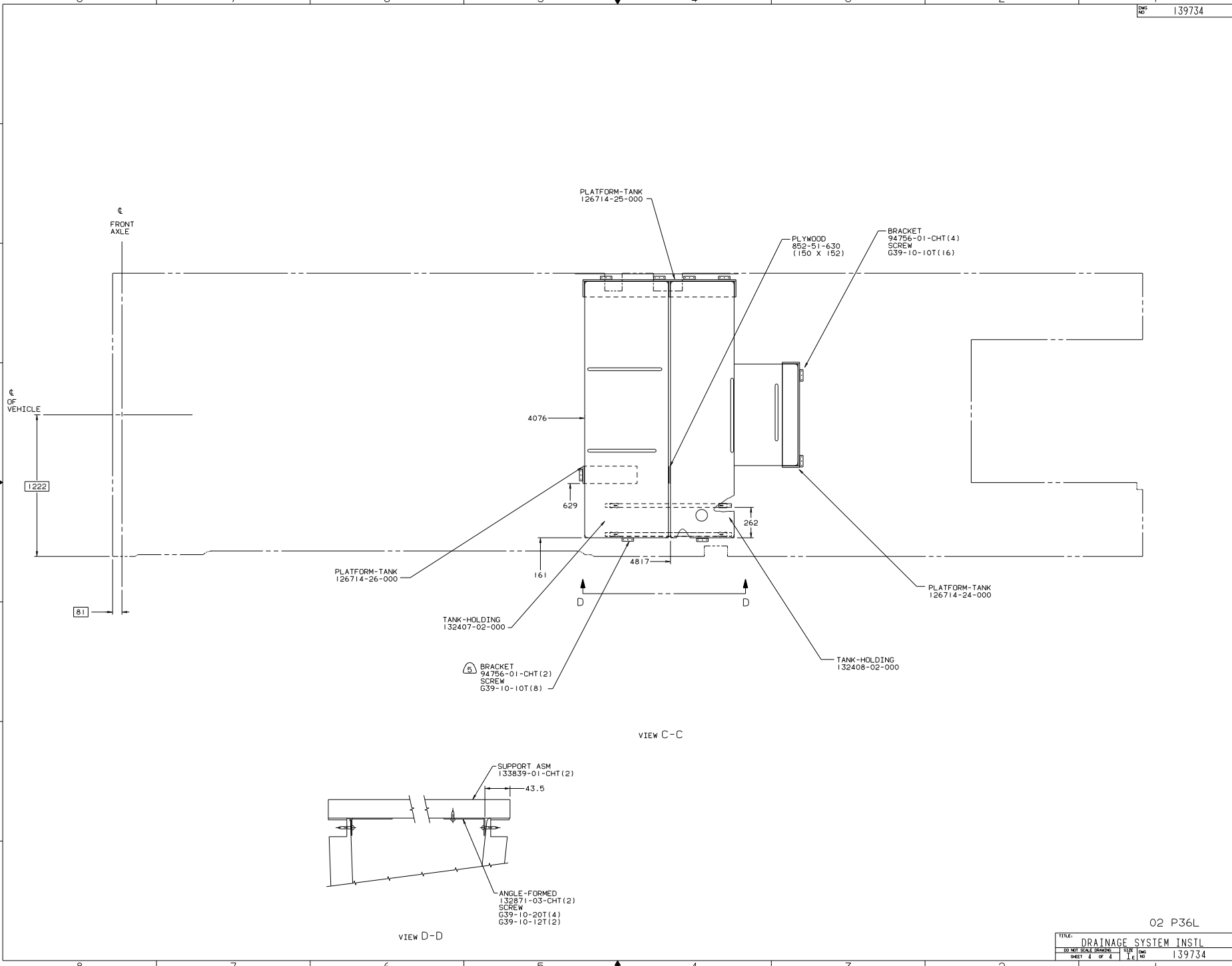
- 44E COUNTERTOP-SOL. SURFACE-GALLEY
- 44F COUNTERTOP-SOL. SURFACE-BATH
- 44A COUNTERTOP-LAMINATE-BATH
- 265 CODES/STANDARDS-CSA/CMVSS
- 1B1 CODES/STANDARDS USA
- 54E WASHER/DRYER
- 43E TOILET PORCELAIN-ROUND
- 21M WASHER/DRYER PREP

X-X FOR DRAINAGE CALLOUTS SEE DWG NO. 116229-01-000

COPYRIGHT © 2002 WINNEBAGO INDUSTRIES, INC.		WINNEBAGO O2 P36L	
DATE	UNSPECIFIED TOLERANCES ARE:	DATE	MATERIAL:
DATE	WHOLE DIM (IN)	DATE	ONE-PLACE (IN.XI)
DATE	FRACTIONAL DIM (IN.XI)	DATE	TWO-PLACE (IN.XXX)
DATE	ANGLE	DATE	THIRD ANGLE PROJECTION
DATE	DATE	DATE	DATE
LANE# L00A	TITLE#	DRAINAGE SYSTEM INSTL	
DWG #	SCALE: NONE	SHEET	NO
ALL DIMENSIONS ARE IN MILLIMETERS	1 OF 4	1 E	139734

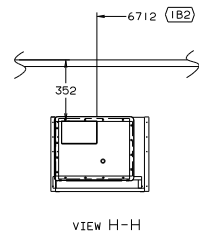
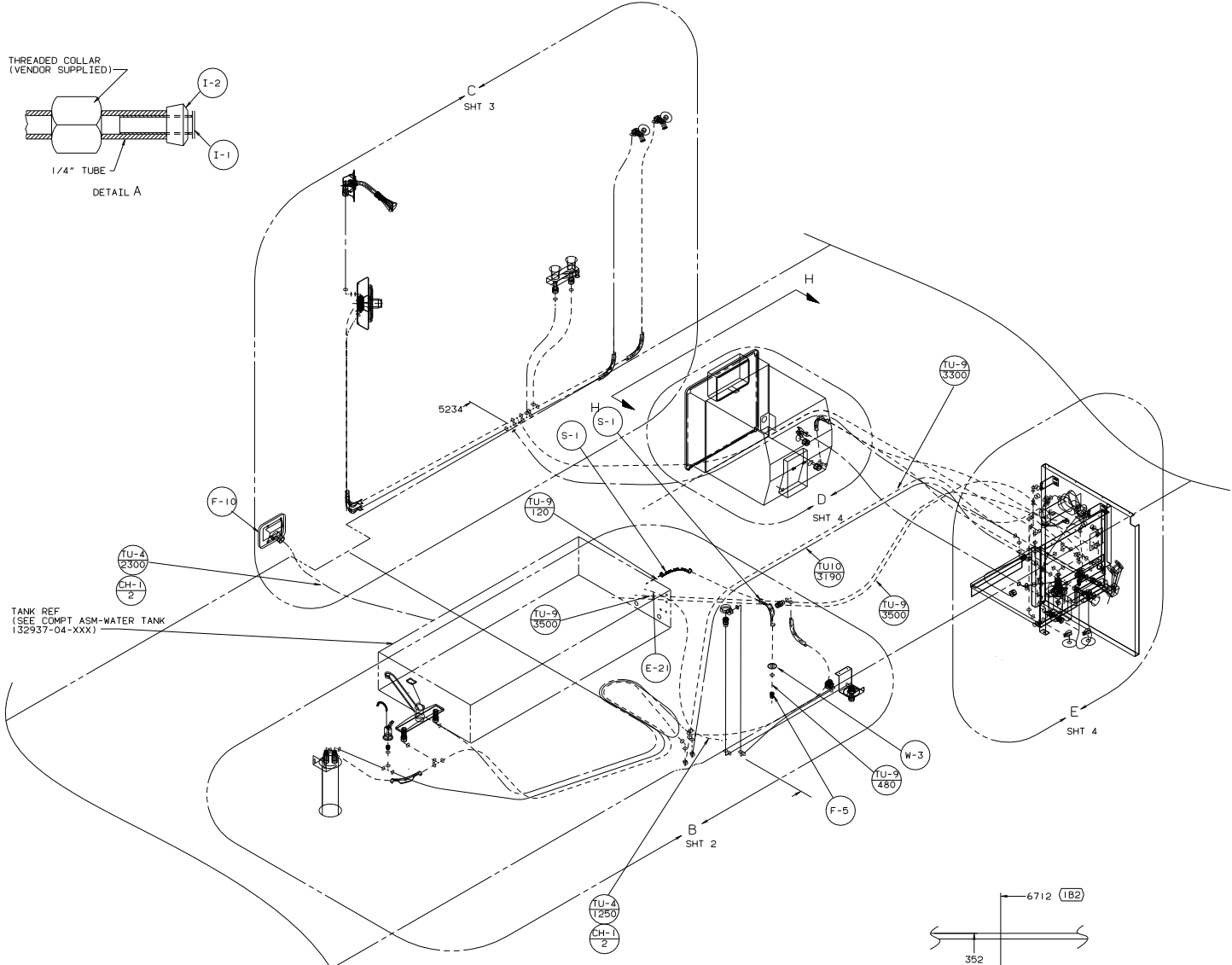
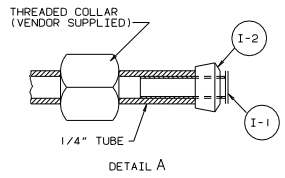


VIEW A-A



02 P36L

TITLE: DRAINAGE SYSTEM INSUL		DESIGN NO: 139734	
30-MIL SCALE DRAWING	FILE NO	SHEET 4 of 4	DATE



- (9B1) SHOWER PACKAGE
- (44F) COUNTERTOP-SOL. SURFACE-BATH
- (79W) REFRIGERATOR-4 DOOR
- (43A) SHOWER HEAD-FIXED
- (43H) SHOWER HEAD-HAND HELD
- (21T) WASHER/DRYER WITHOUT
- (54E) WASHER/DRYER
- (64R) EXTERIOR WASH STATION
- (53J) WATER HEATER BY-PASS-VALVE
- (21W) WASHER/DRYER PREP
- (1B2) WTR HTR-10GAL/ELEC/LP/MTR/ID
- (29B) WATER PURIFIER
- (18U) REFRIGERATOR/FRZR W/ICEMAKER

10. APPLY DECAL INSIDE OF UPPER SHOWER HEAD HOLDER TO RETAIN HAND SHOWER UNIT INSIDE OF HOLDER.
9. WRAP WITH TEFLON TAPE 10405-03-000 TO FITTINGS.
8. WRAP WITH TEFLON TAPE 10405-02-000 TO FITTINGS.
7. WRAP WITH TEFLON TAPE 10405-01-000 MINIMUM THREE WRAPS.
6. FLUSHING SYSTEM REQUIRES 125697-06-000 INSTRUCTION SHEET.
5. CLAMPS MUST BE ON BARBS.
4. USE DETAIL "A" IN THIS AREA.
3. ALL TUBING TO BE SECURED AT 1200 INTERVALS MAXIMUM WITH CLAMP 10495-01-000 OR CLIP 9151-01-000 AND SCREW G67-10-128.
2. TUBING TO BE INSTALLED WITH SUFFICIENT SLOPE TO PROVIDE DRAINAGE TO NEAREST VALVE.
1. PLASTIC FITTINGS TO BE SEALED WITH SEALANT 84456-01-000.

LEGEND		COPYRIGHT 2000 WINNERAGO INDUSTRIES, INC.		02 P36L	
HOT	-----	DATE	UNSPECIFIED TOLERANCES ARE:	MATERIAL:	
COLD	-----	DATE	ANGLE DIM (1X)	.	
		DATE	HOLE-PLATE (1X)	.	
		DATE	HOLE-PLATE (1X)	.	
		DATE	ANGLE	.	
		DATE	THRU HOLE PROJECTION	.	
		DATE		.	
FOR WATER CALLOUTS SEE DWG NO. 116230-01-000		DRAWN BY: P36L		TITLE: WATER SYSTEM INSTL	
X-X		SHEET 1 OF 5		REF: 135323 G 1	

