



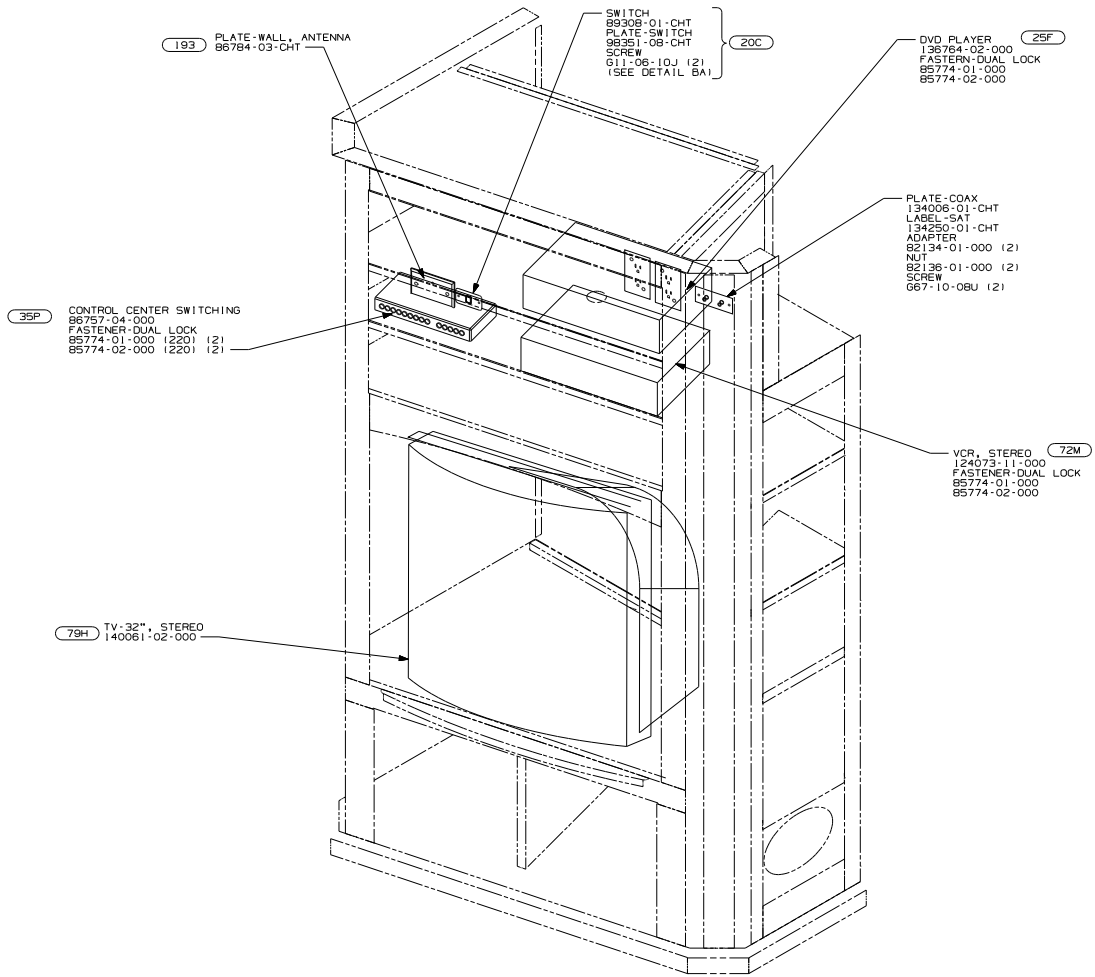
DANGER

Danger of electrical shock, burns or death. Always remove all power sources before attempting any repair, service or diagnostic work. Power can be present from shore power, generator, inverter or battery. All power sources must be disabled and secured before performing any service.



CAUTION

If you lack the skills, tools or equipment to perform diagnostic or repair work leave such work to an authorized Winnebago Industries dealer or other qualified shop.



- 20C SOUND SYS. DLX. W/O-SURROUND
- 25F DIGITAL VIDEO DISC PLAYER
- 7BK SATILLITE DISH-AUTOMATIC
- 72M VCR-STEREO
- 79H ENTERTAINMENT CENTER-INTERIOR
- 35P VIDEO SELECTION SYSTEM
- 193 TV ANTENNA

WINNEBAGO

DTB: _____ ORG. DATE: 09/21/01

DWR: _____ ALL DIMENSIONS ARE IN MILLIMETERS

P.E.: _____

W.E.: _____ FIRST USED

DWG: _____ 02 L39T

UNSPECIFIED TOLERANCES ARE:

THREE DIGIT (X.XX)	MATERIAL:
ONE-PLACE (X.XXX)	
TWO-PLACE (X.XXXX)	
THREE	

THIRD ANGLE PROJECTION

DO NOT SCALE DRAWING

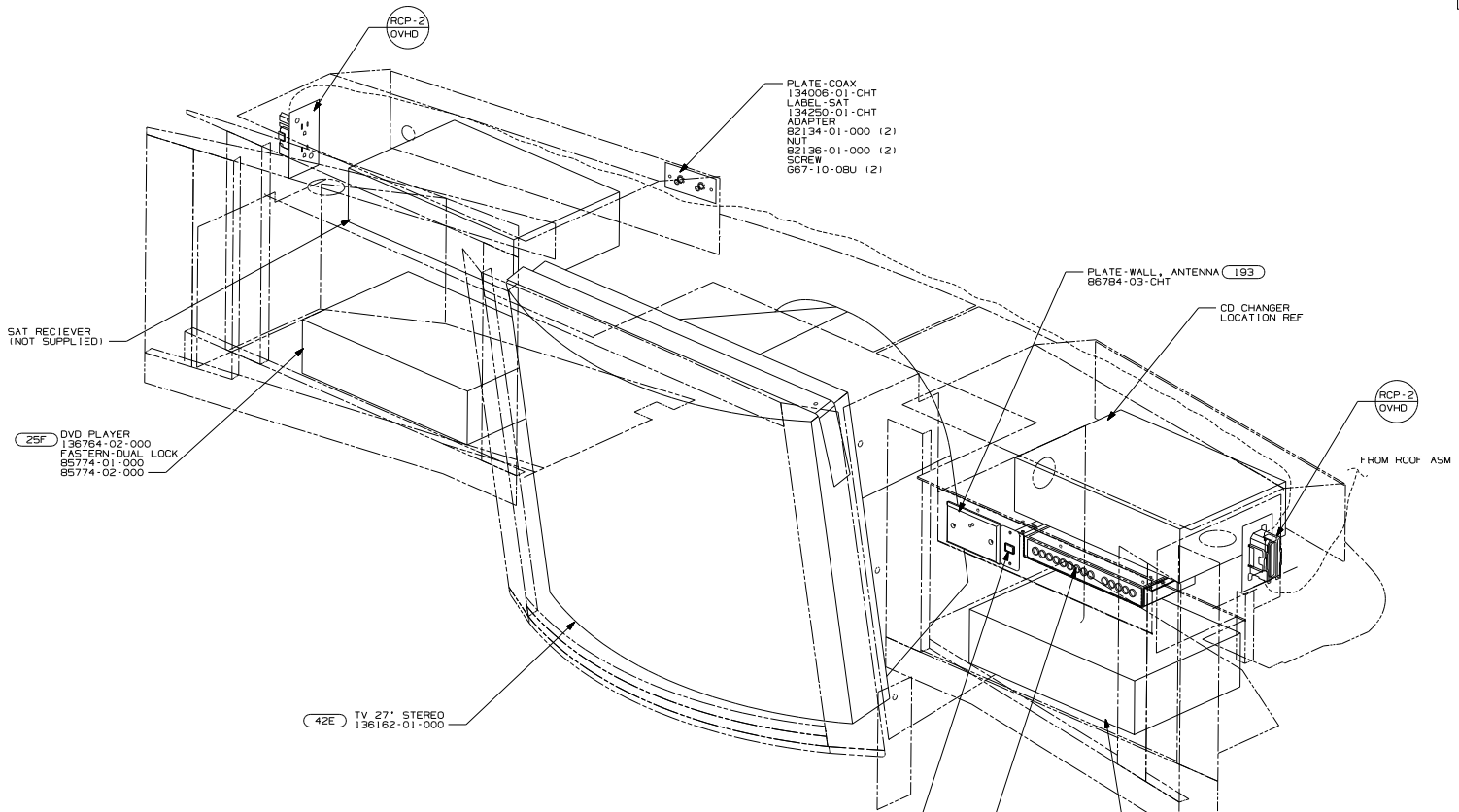
TITLE: WIRING INSTL.-TV/VCR

SHEET 1 of 4 PART NO. 140200

NOTES:
1. SEE WIRING INSTALLATION-BODY, 110V FOR ADDITIONAL INFORMATION

FOR ELECTRICAL TORQUE SPECIFICATIONS SEE DWG NO. 128793-01-000

FOR ELECTRICAL CALLOUTS SEE DWG NO. 121339-01-000



SAT RECEIVER (NOT SUPPLIED)

25F DVD PLAYER
 136764-02-000
 FASTEN-DUAL LOCK
 85774-01-000
 85774-02-000

RCP-2 (OVHD)

PLATE-COAX
 134006-01-CHT
 LABEL-SAT
 134250-01-CHT
 ADAPTER
 82134-01-000 (2)
 NUT
 82136-01-000 (2)
 SCREW
 667-10-08U (2)

PLATE-WALL, ANTENNA 193
 86784-03-CHT

CD CHANGER LOCATION REF

RCP-2 (OVHD)

FROM ROOF ASM

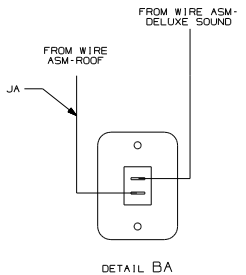
42E TV, 27" STEREO
 136162-01-000

20C SWITCH
 89308-01-CHT
 PLATE-SWITCH
 88351-16-CHT
 SCREW
 G11-06-10J (2)
 (SEE DETAIL BA)

35P CONTROL CENTER SWITCHING
 86757-04-000
 FASTENER-DUAL LOCK
 85774-01-000 (220) (2)
 85774-02-000 (220) (2)

72M VCR, STEREO
 124073-11-000
 FASTENER-DUAL LOCK
 85774-01-000
 85774-02-000

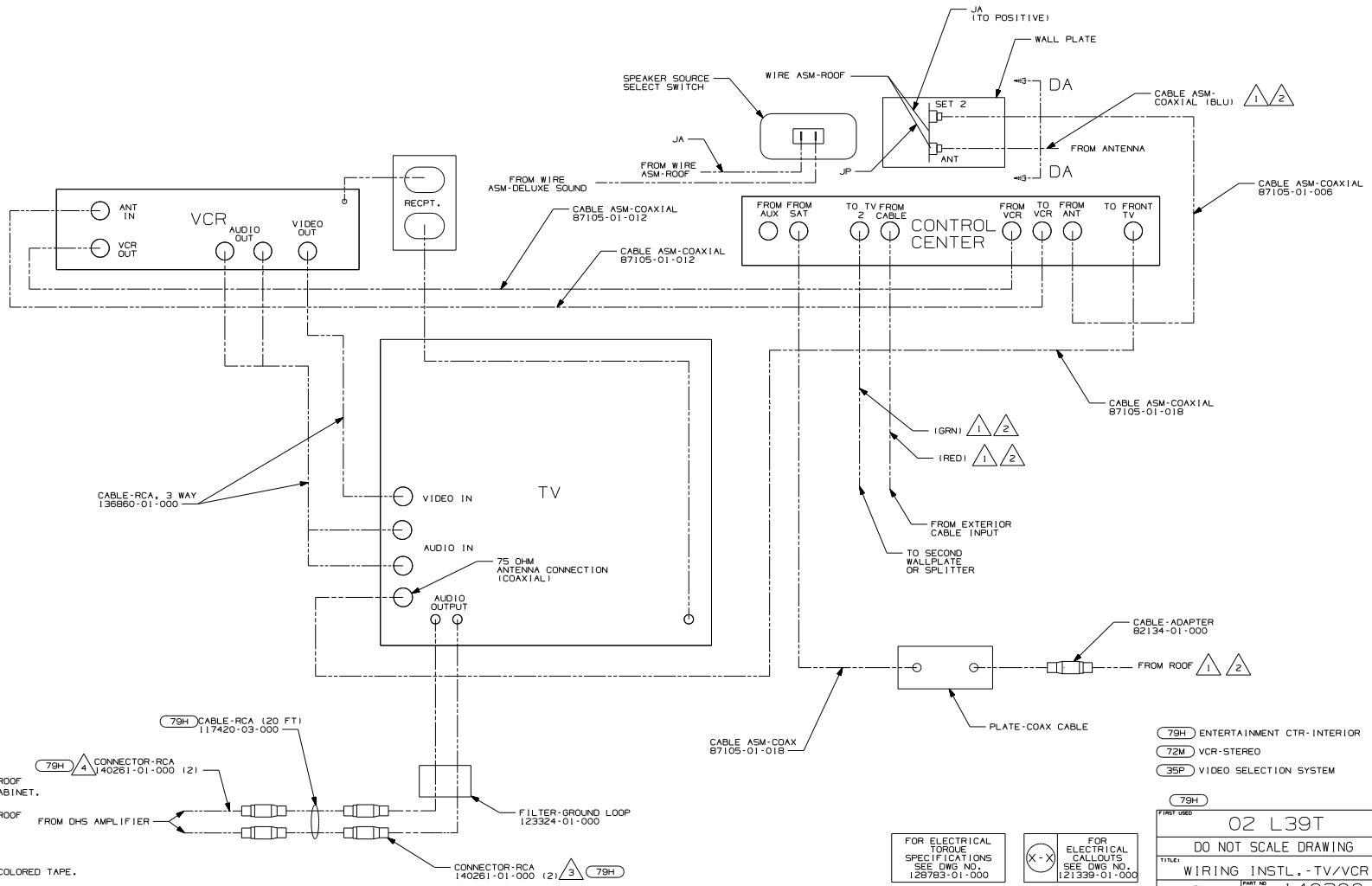
- 20C SOUND SYS. DLX. W/O-SURROUND
- 42E TV-27" COLOR, STEREO W/REMOTE
- 25F DIGITAL VIDEO DISC PLAYER
- 78K SATELLITE DISH-AUTOMATIC
- 72M VCR-STEREO
- 35P VIDEO SELECTION SYSTEM
- 193 TV ANTENNA



FOR ELECTRICAL TORQUE SPECIFICATIONS SEE DWG NO 128793-01-000

FOR ELECTRICAL CALLOUTS SEE DWG NO 121339-01-000

FIRST USED	02 L39T
DO NOT SCALE DRAWING	
TITLE: WIRING INSTL.-TV/VCR	
SHEET 2	PART NO 140200



- NOTES:
- 4 CONNECTION IS MADE AT ROOF ABOVE FRONT OVERHEAD CABINET.
 - 3 CONNECTION IS MADE AT ROOF ABOVE SIDE TV CABINET.
 - 2 CABLE ROUTED IN ROOF.
 - 1 CABLE ASM MARKED WITH COLORED TAPE.

- 79H ENTERTAINMENT CTR-INTERIOR
- 72M VCR-STEREO
- 35P VIDEO SELECTION SYSTEM

79H

02 L39T

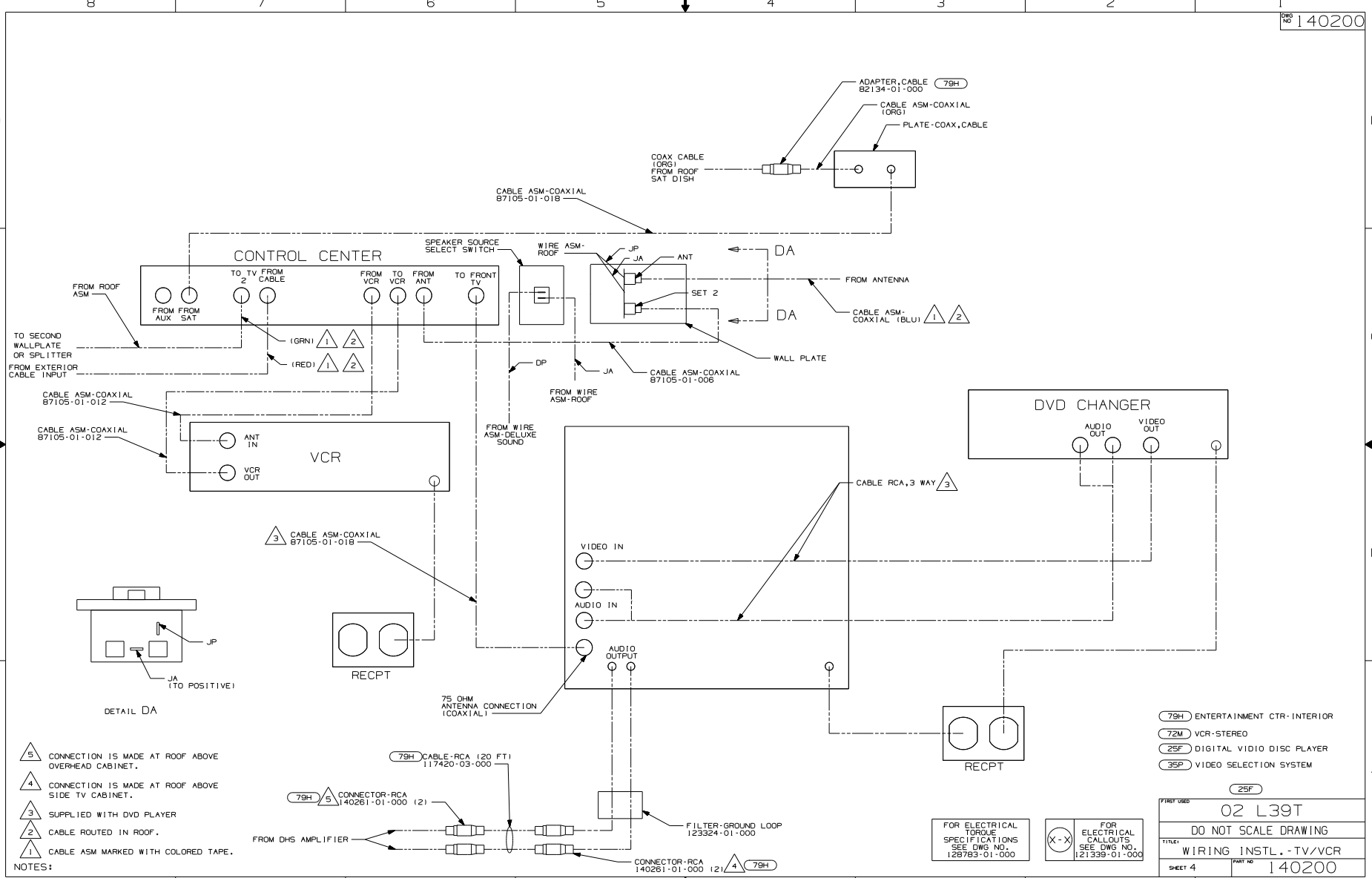
DO NOT SCALE DRAWING

TITLE: WIRING INSTL.-TV/VCR

SHEET 3 PART NO 140200

FOR ELECTRICAL TORQUE SPECIFICATIONS SEE DWG NO. 128793-01-000

FOR ELECTRICAL CALLOUTS SEE DWG NO. 121339-01-000



- NOTES:
- 5 CONNECTION IS MADE AT ROOF ABOVE OVERHEAD CABINET.
 - 4 CONNECTION IS MADE AT ROOF ABOVE SIDE TV CABINET.
 - 3 SUPPLIED WITH DVD PLAYER
 - 2 CABLE ROUTED IN ROOF.
 - 1 CABLE ASM MARKED WITH COLORED TAPE.

- 79H ENTERTAINMENT CTR-INTERIOR
- 72M VCR-STEREO
- 25F DIGITAL VIDEO DISC PLAYER
- 35P VIDEO SELECTION SYSTEM

FOR ELECTRICAL TORQUE SPECIFICATIONS SEE DWG NO. 128793-01-000

FOR ELECTRICAL CALLOUTS SEE DWG NO. 121339-01-000

FIRST USED	02 L39T
DO NOT SCALE DRAWING	
TITLE: WIRING INSTL.-TV/VCR	
SHEET 4	PART NO 140200