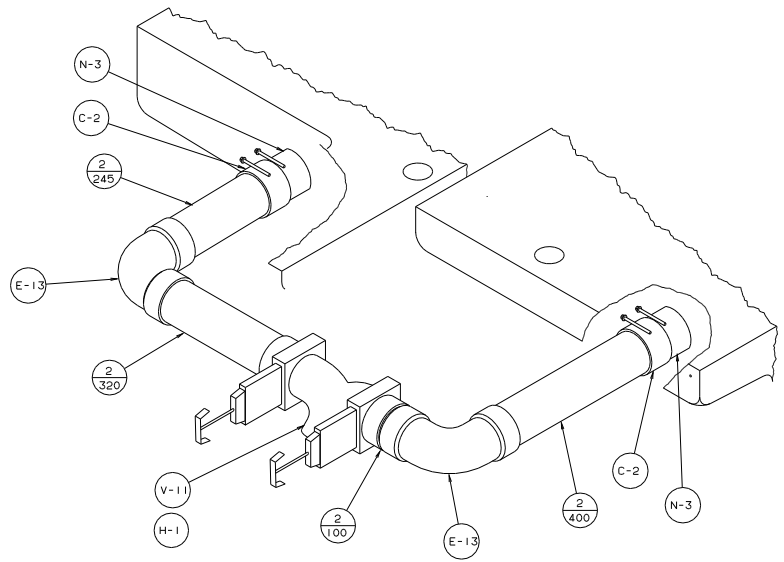
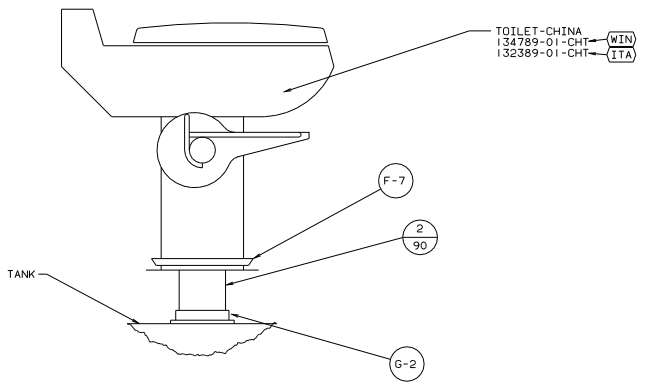


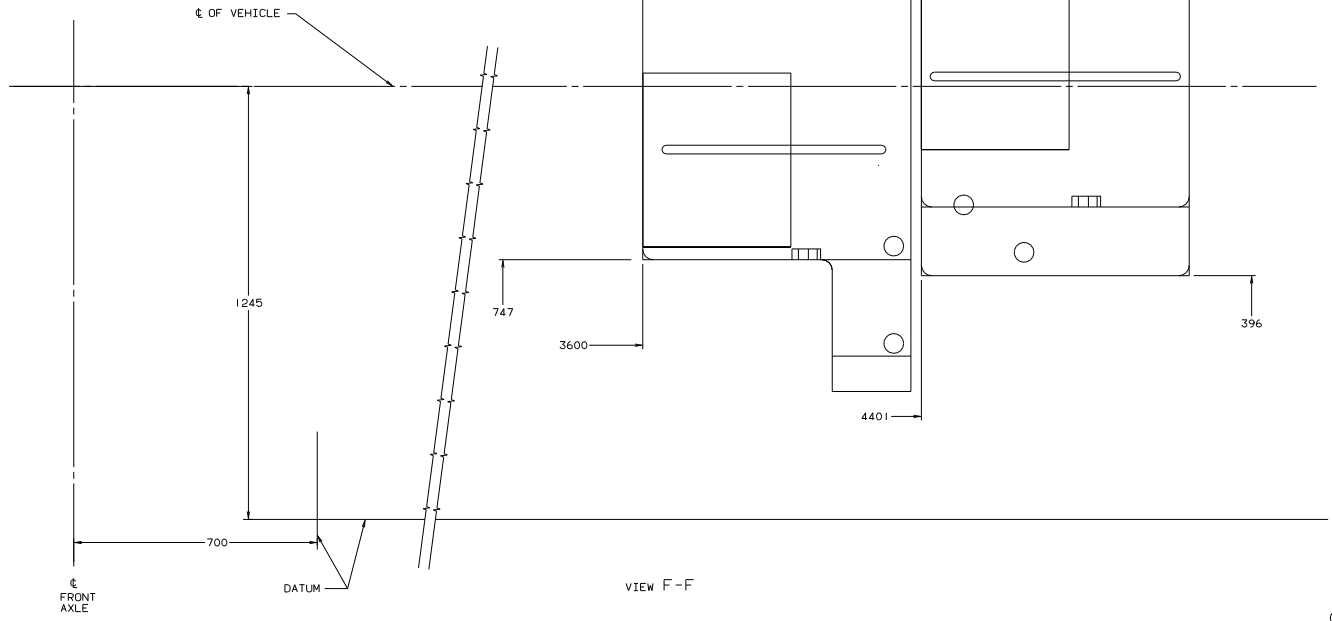
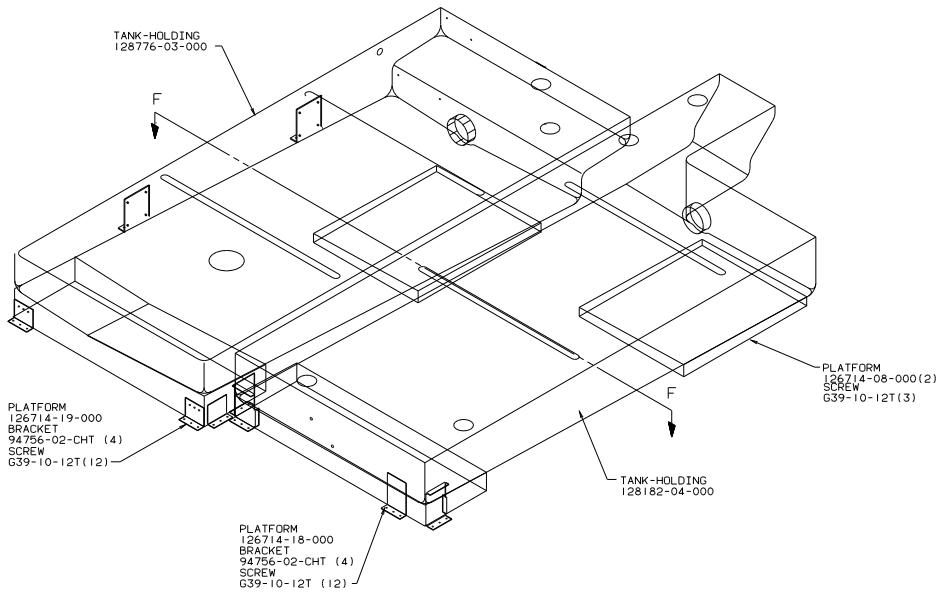
VIEW A-A



DETAIL C

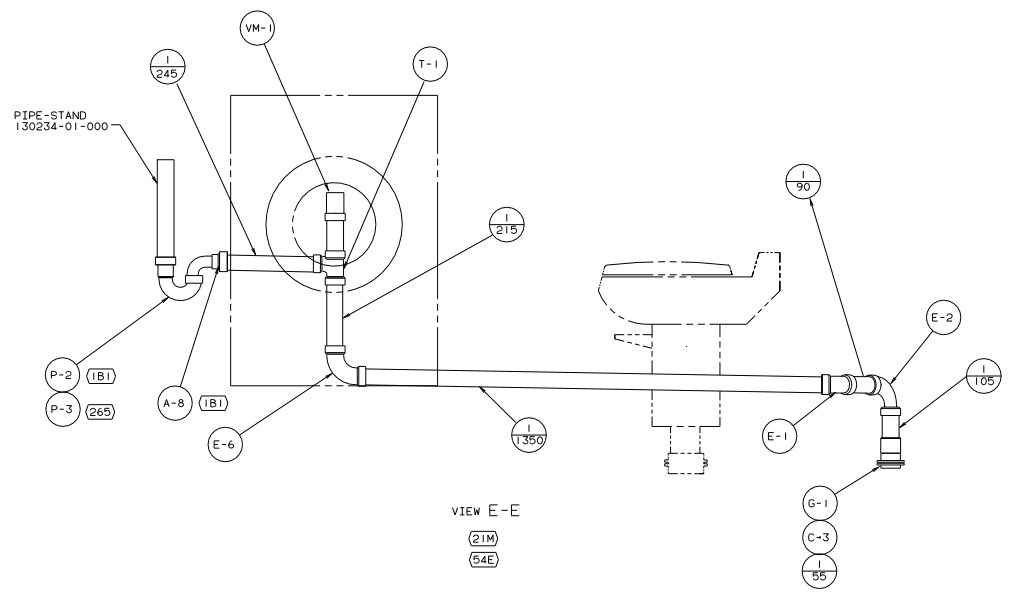
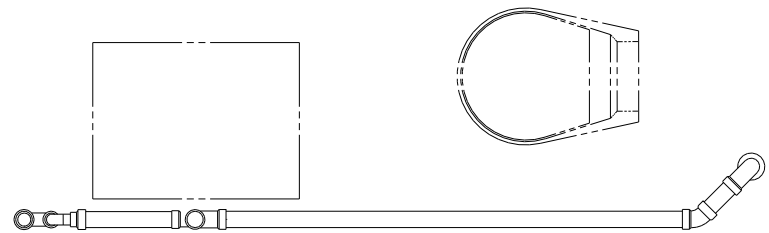


VIEW B-B



02 G37G

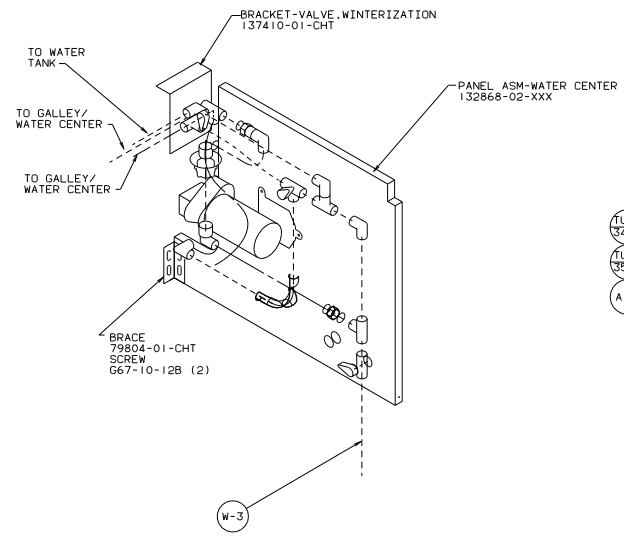
TITLE:		DRAWING NO.	
DRAINAGE SYSTEM INSTL		138367	
30 MET SCALE DRAWING	FILE NO.	3 OF 4	1 E



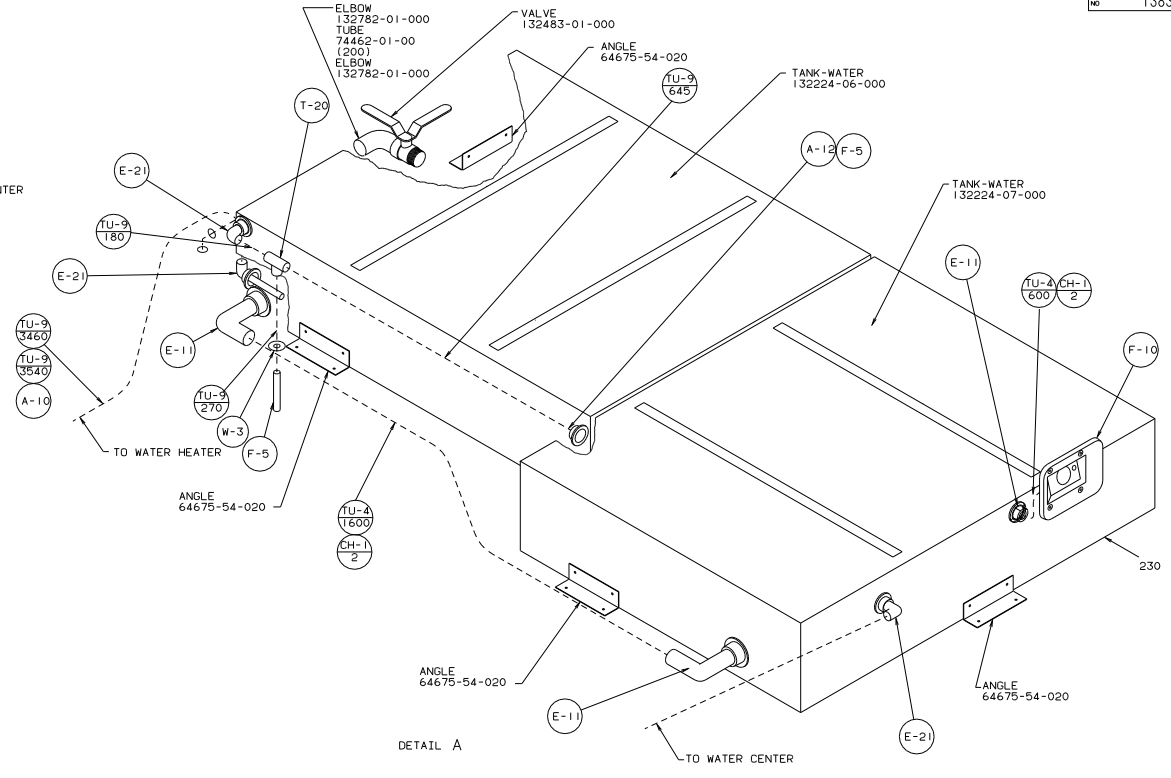
VIEW E-E  
(21M)  
(54E)



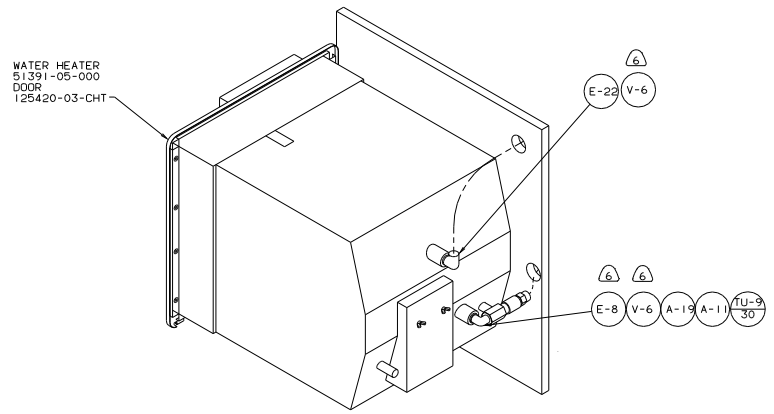
H  
G  
F  
E  
D  
C  
B  
A



VIEW B-B

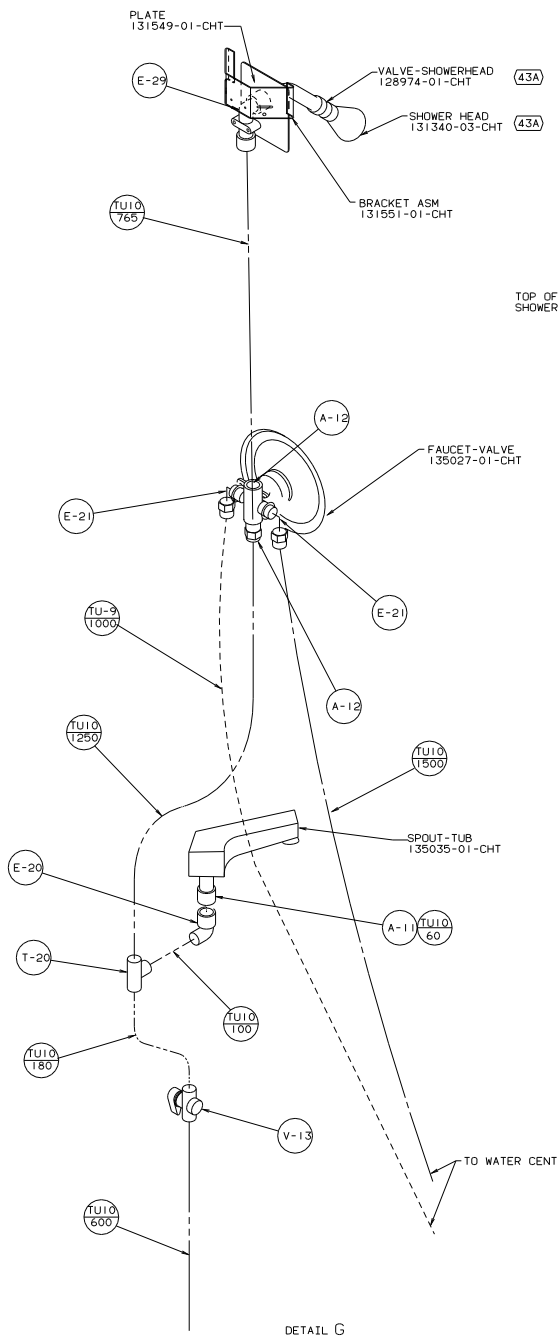


DETAIL A

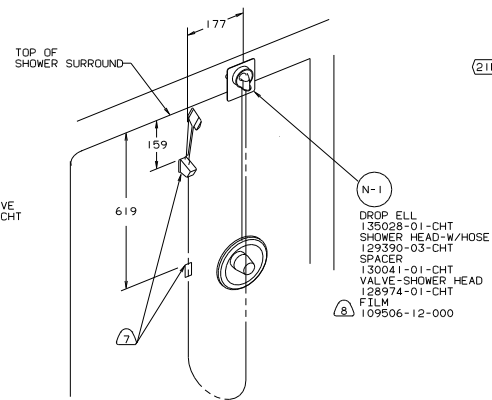


DETAIL C (B2)

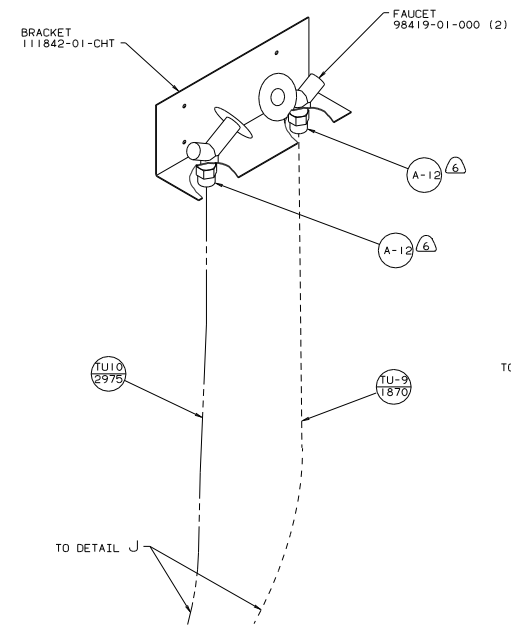




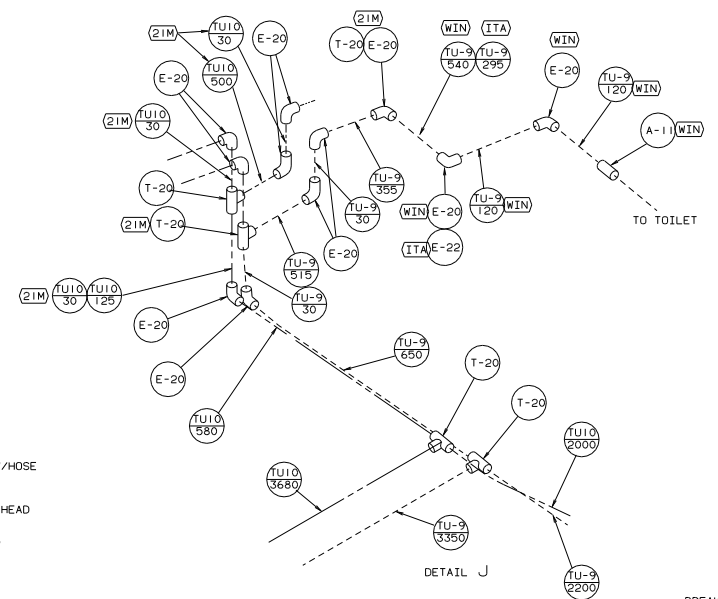
DETAIL G



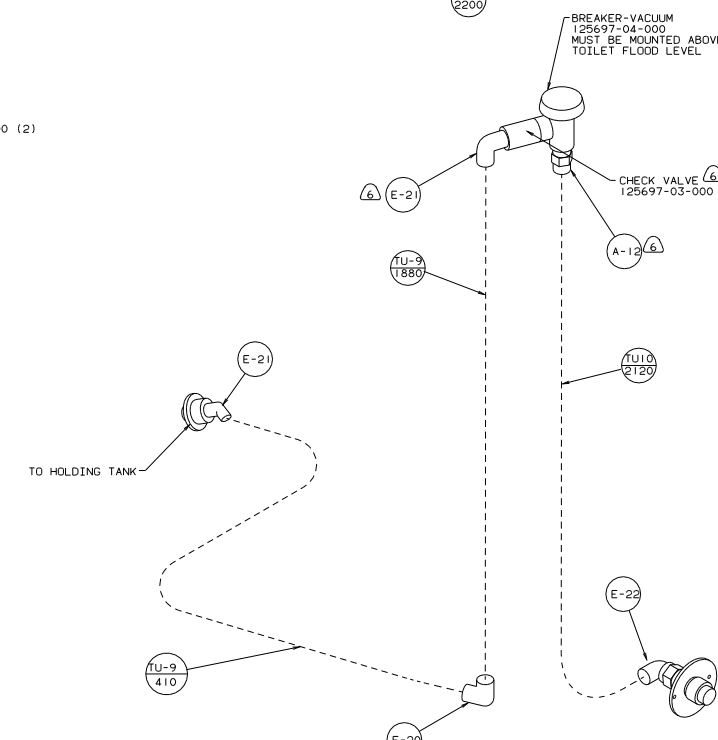
DETAIL G (43H)



DETAIL H (54E) (21M)



DETAIL J



DETAIL L (4)