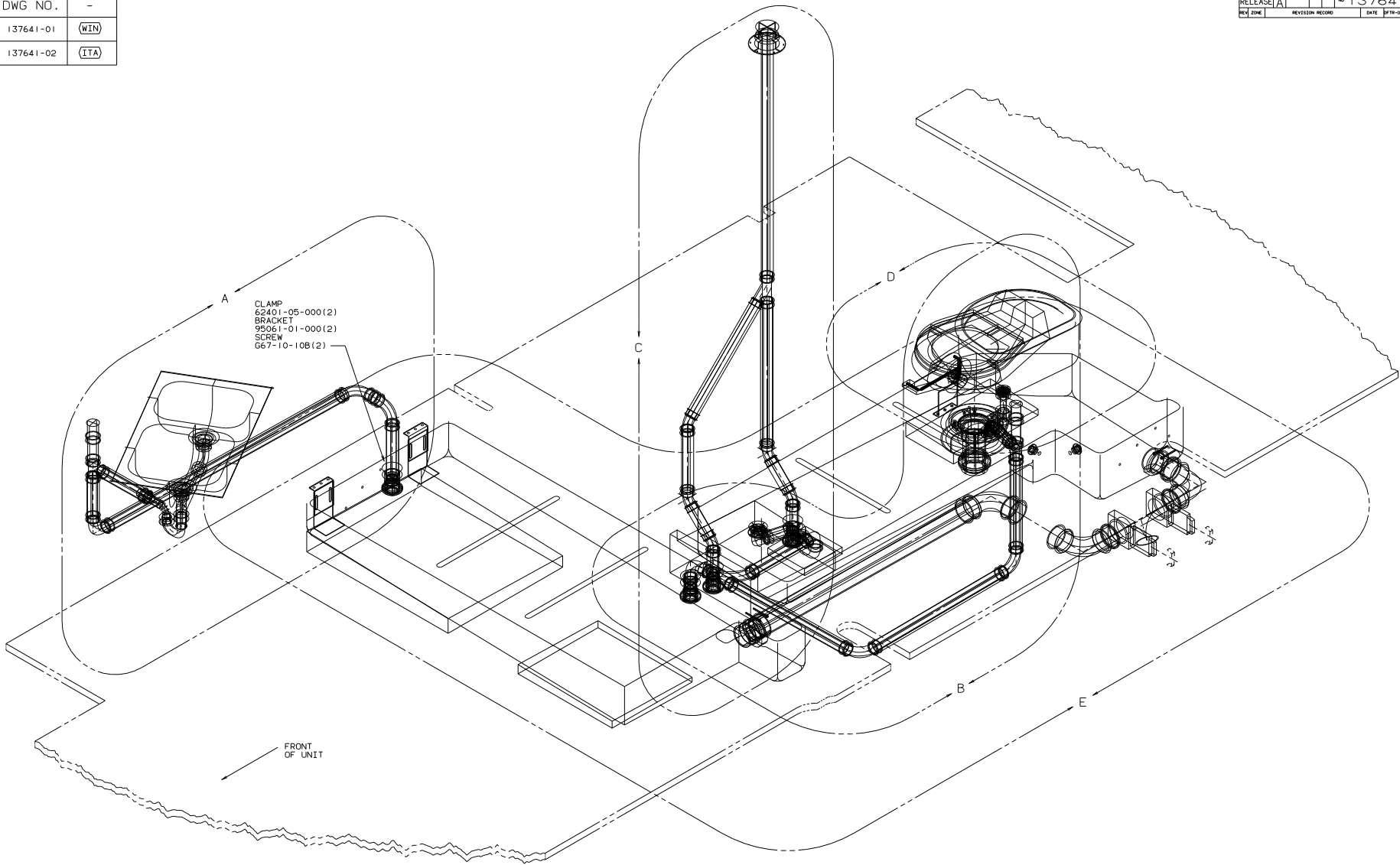


DWG NO.	-
137641-01	(WIN)
137641-02	(ITA)

RELEASE	BY	DATE	BY	DATE	NO.	137641
REV	ZONE	REVISION RECORD	DATE	BY	NO.	



10. SECURE PIPES TO FLOOR USING BRACKET 136878-01-CHT(3) CLAMP 62401-02-000(3) SCREW 667-10-12B(3).
9. SECURE PIPES TO CABINET USING WIRE TIE 108046-02-000 AND SCREW 667-10-12U (8).
8. VENT PIPE MUST PROJECT 51 MIN TO 64 MAX ABOVE ROOF FOR PROPER FIT AND FUNCTION.
7. SEE DWG 61607-01-000 FOR INSTL OF GROMMET.
6. SEAL ALL AROUND SHOWER PAN.
5. FOR CANADIAN UNITS EACH HOLDING TANK SHALL HAVE A CSA APPROVAL STAMPED NEAR THE IAPMO APPROVAL.
4. ALL EXTERIOR OPENINGS AROUND PIPE TO BE SEALED WITH 110744-01-000.
3. ALL PIPE AND FITTINGS TO BE ASSEMBLED WITH SOLVENT 4020-01-000.
2. SLOPE OF TRAP MUST BE 6 PER 300 MINIMUM.
1. SLOPE OF HORIZONTAL PIPING TO BE 6 PER 300 MINIMUM.

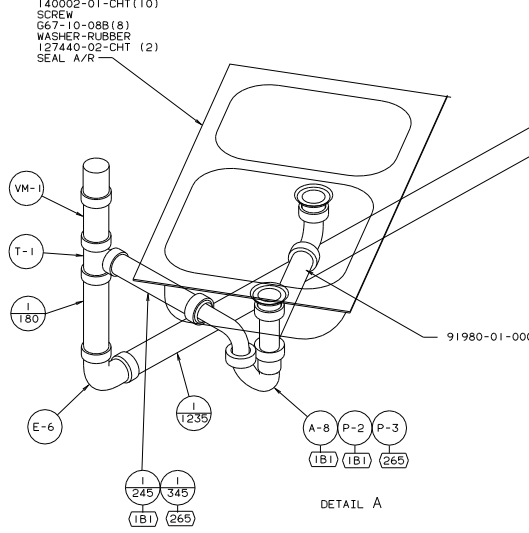
NOTES:

- (265) CODES/STANDARDS-CSA/CMVSS
- (IB1) CODES/STANDARDS USA
- (WIN) WINNEBAGO ONLY
- (ITA) ITASCA ONLY

FOR DRAINAGE CALL-OUTS SEE DWG NO. 116229-01-000

COPYRIGHT 2002 WINNEBAGO INDUSTRIES, INC.		WINNEBAGO 02 G35U	
OPTR	DATE	UNSPECIFIED TOLERANCES ARE:	MATERIAL
CHRP	DATE	WHOLE DIM (IN)	+
FPE	DATE	ONE-PLACE (IN.XI)	+
MLE	DATE	TWO-PLACE (IN.XX)	+
DATE	DATE	THIRD PLACE (IN.XXX)	+
DATE	DATE	PROJECTION	1st ANGLE
LAHNT NO.	01AG35U	TITLE:	DRAINAGE SYSTEM INSTL
REV #	SCALE: NONE	30 MET SCALE DRAWING	FIG. NO.
ALL DIMENSIONS ARE IN MILLIMETERS	SHEET 1 OF 4	ENG NO.	137641

SINK-SMC_DOUBLE
 136928-03-CHT (US/CAN)
 STRAINER
 92303-01-000 (2)
 ANGLE
 140002-01-CHT (10)
 SCREW
 G67-10-08B (8)
 WASHER-RUBBER
 127440-02-CHT (2)
 SEAL A/R



SINK
 136639-01-CHT
 SCREW
 G67-08-10J(8)
 SEAL A/R

STRAINER
 106116-01-CHT
 GASKET
 106116-02-CHT

P-3 P-2 A-8
 (265) (1B1) (1B1)

I 200 I 100
 (265) (1B1)

I 690

P-2 P-3
 (1B1) (265)

SHOWER INSTL-ENCLOSURE
 132496-01-000
 DRAIN
 66440-01-000
 SEALER
 69640-01-000
 NUT
 130403-01-000
 TAILPIECE
 11069-06-000
 WASHER
 127440-02-CHT

E-2 I 45

T-4

P-2 P-3
 (1B1) (265)

I 630

STRAP-CONDUIT
 008406-01-000 (3)
 SCREW
 G67-10-12B(6)

I 10

G-1 I 55

C-3 I 45

Y-1

I 1240

I 500

I 705

E-1

I 325

E-1

I 140

E-1

E-1

I 140

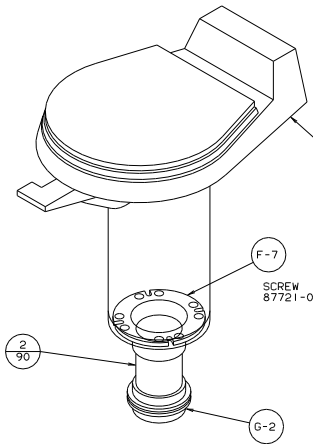
E-1

I 70

I 10

G-1 I 55 C-3

C-3 I 55 G-1



TOILET-AURORA
 132389-01-CHT
 134789-01-CHT

ITA WIN

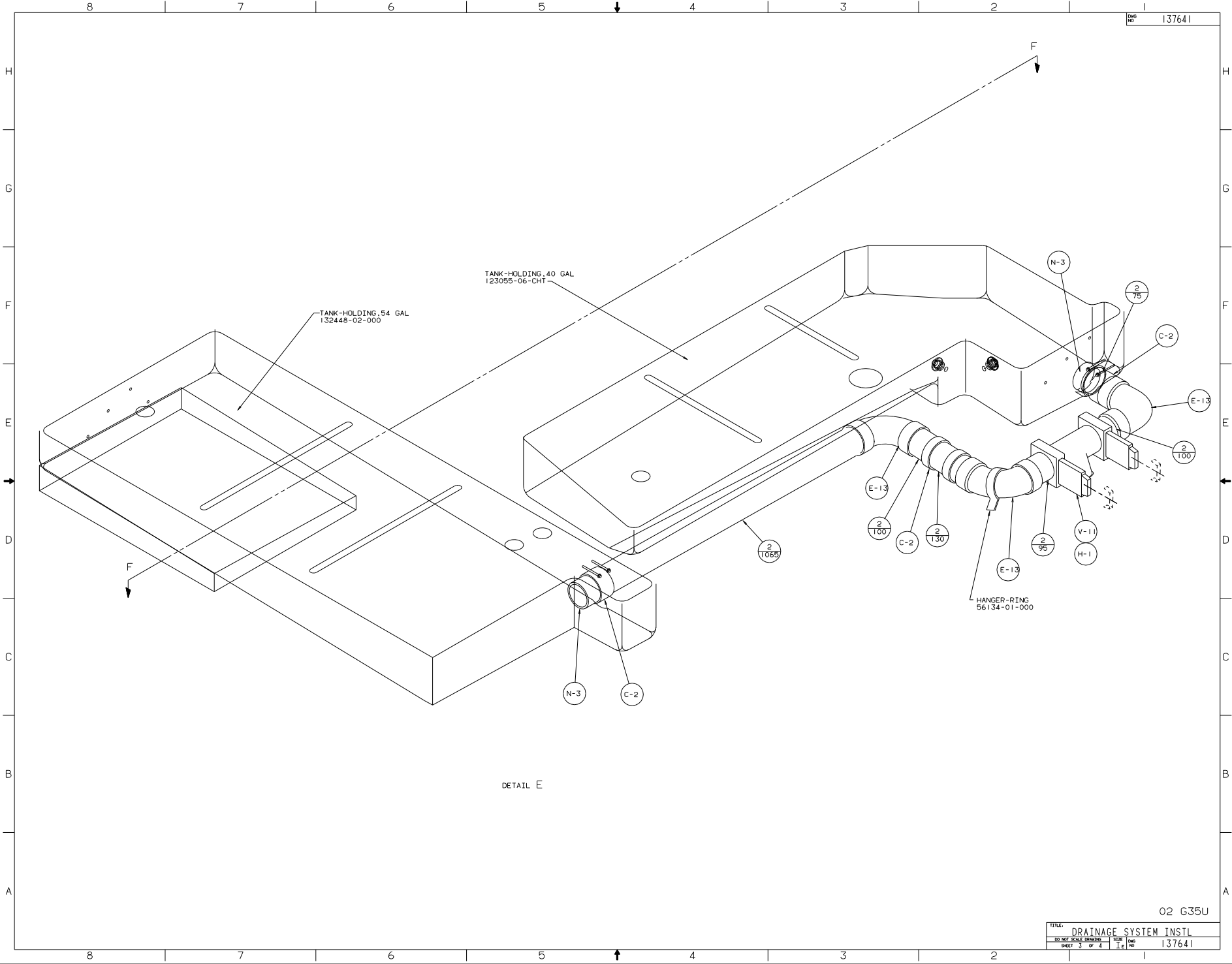
F-7

SCREW
 87721-01-000 (8)

2 I 90

G-2

DETAIL C

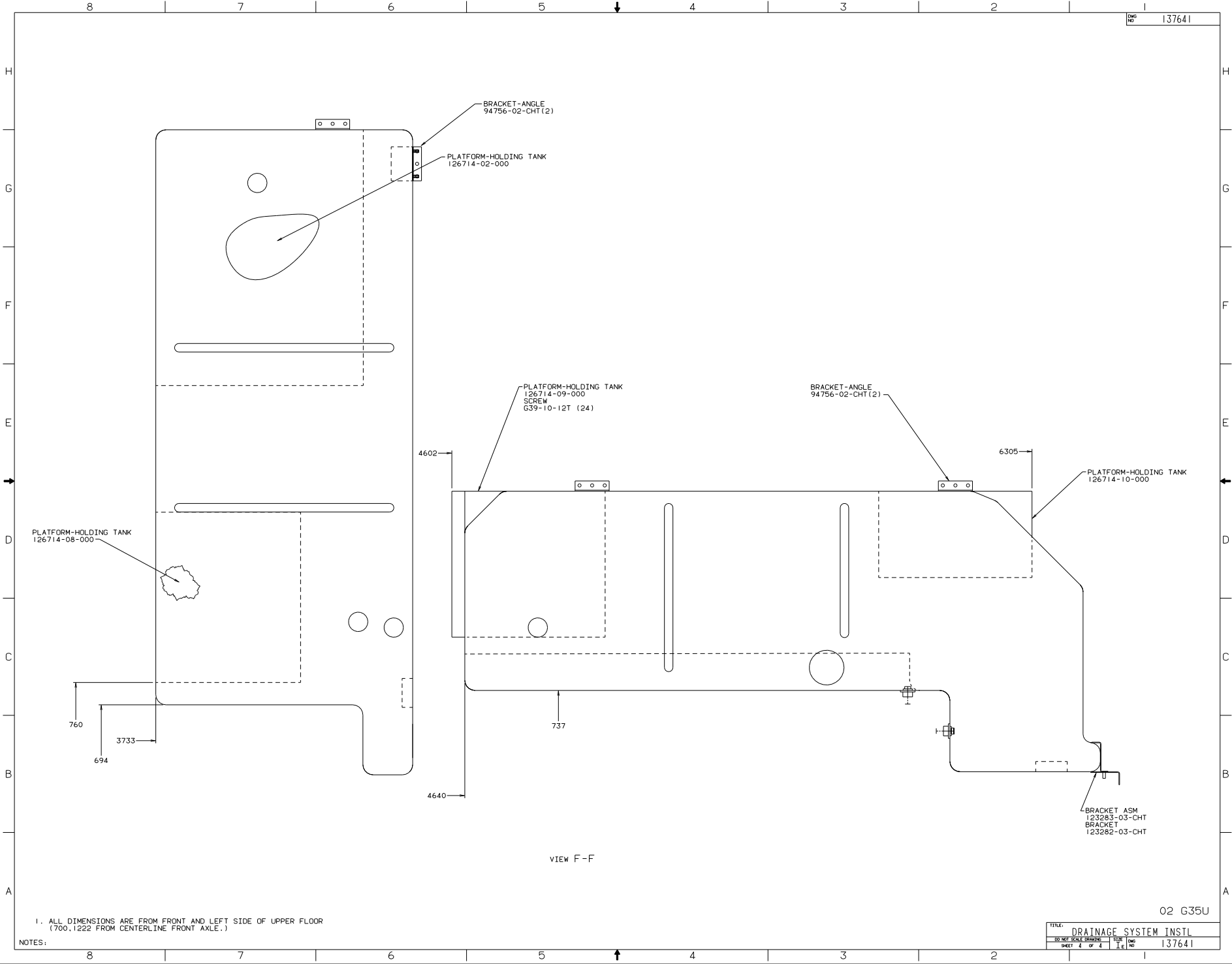


TANK-HOLDING, 40 GAL
123055-06-CHI

TANK-HOLDING, 54 GAL
132448-02-000

HANGER-RING
56134-01-000

DETAIL E



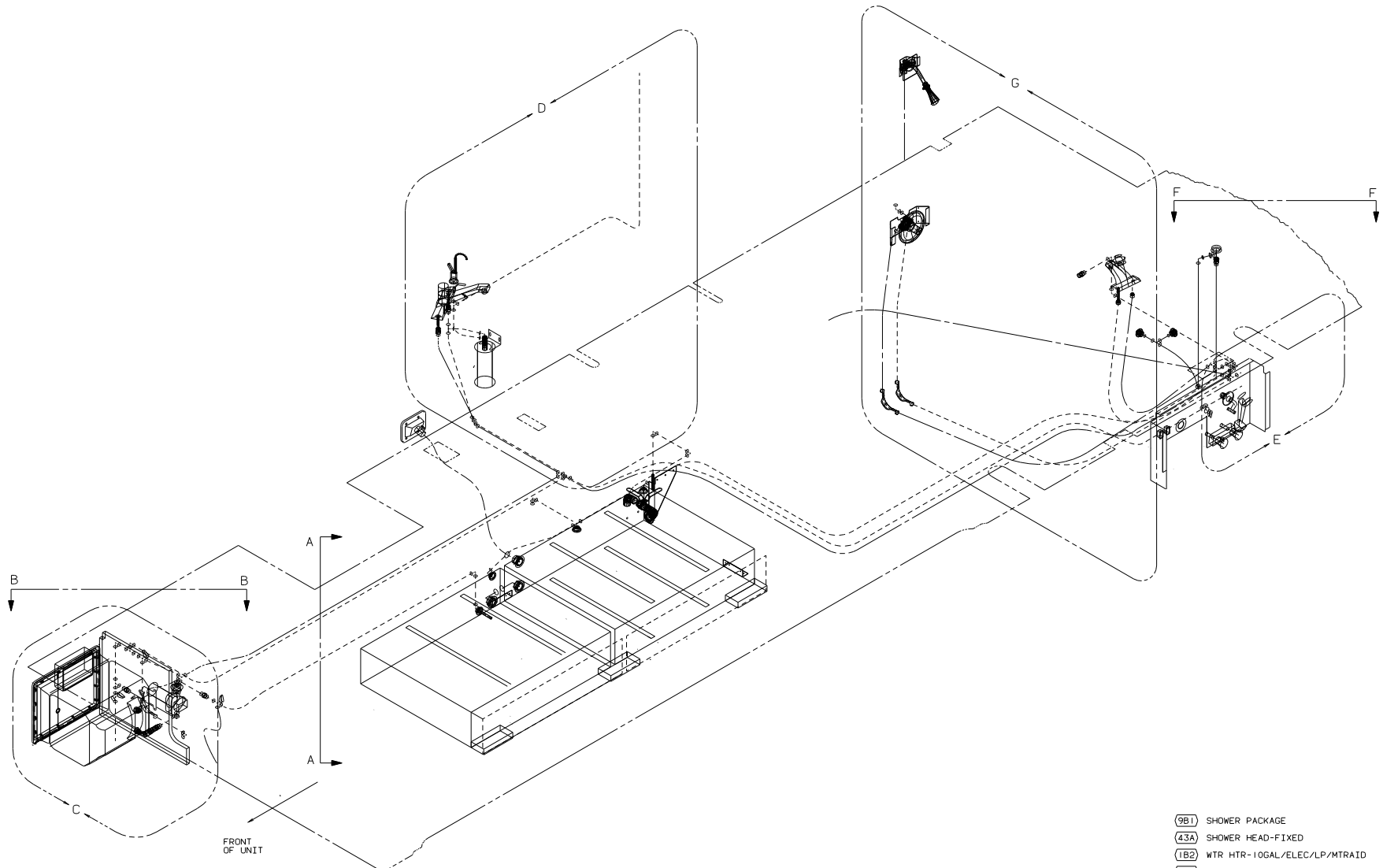
1. ALL DIMENSIONS ARE FROM FRONT AND LEFT SIDE OF UPPER FLOOR
(700.1222 FROM CENTERLINE FRONT AXLE.)

NOTES:

02 G35U

TITLE: DRAINAGE SYSTEM INSTL	
30 MET SCALE DRAWING	FILE NO
SHEET 4 of 4	DWG NO 137641

DWG NO	---
137642-01	(WIN)
137642-02	(ITA)



FRONT OF UNIT

- 8. APPLY DECAL INSIDE OF UPPER SHOWER HEAD HOLDER TO RETAIN HAND SHOWER INSIDE OF HOLDER.
 - 7. PRE-DRILL SHOWER SURROUND WITH 5.0 DIA HOLES USING MOUNTING BRACKET AS A TEMPLATE.
 - 6. ADD TEFLON TAPE 10405-02-000 TO FITTING.
 - 5. USE DETAIL "J" IN THIS AREA (BOTH ENDS OF TUBING).
 - 4. FLUSHING SYSTEM REQUIRES 125697-06-000 INSTRUCTION SHEET.
3. ALL TUBING TO BE SECURED AT 1200 INTERVALS MAX WITH CLAMP 10495-01-000 OR CLIP 91951-01-000 AND SCREW G67-10-12B.
2. TUBING TO BE INSTALLED WITH SUFFICIENT SLOPE TO PROVIDE DRAINAGE TO THE NEAREST VALVE.
1. PLASTIC FITTINGS TO BE SEALED WITH SEALANT 84456-01-000.

- (9B1) SHOWER PACKAGE
- (43A) SHOWER HEAD-FIXED
- (1B2) WTR HTR-10GAL/ELEC/LP/MTR/RAID
- (43H) SHOWER HEAD-HAND HELD
- (WIN) WINNEBAGO ONLY
- (ITA) ITASCA ONLY
- (29B) WATER PURIFIER
- (15U) REFRIGERATOR/FRZR W/ICEMAKER

(X-X) FOR WATER CALLOUTS SEE DWG NO. 116230-01-000

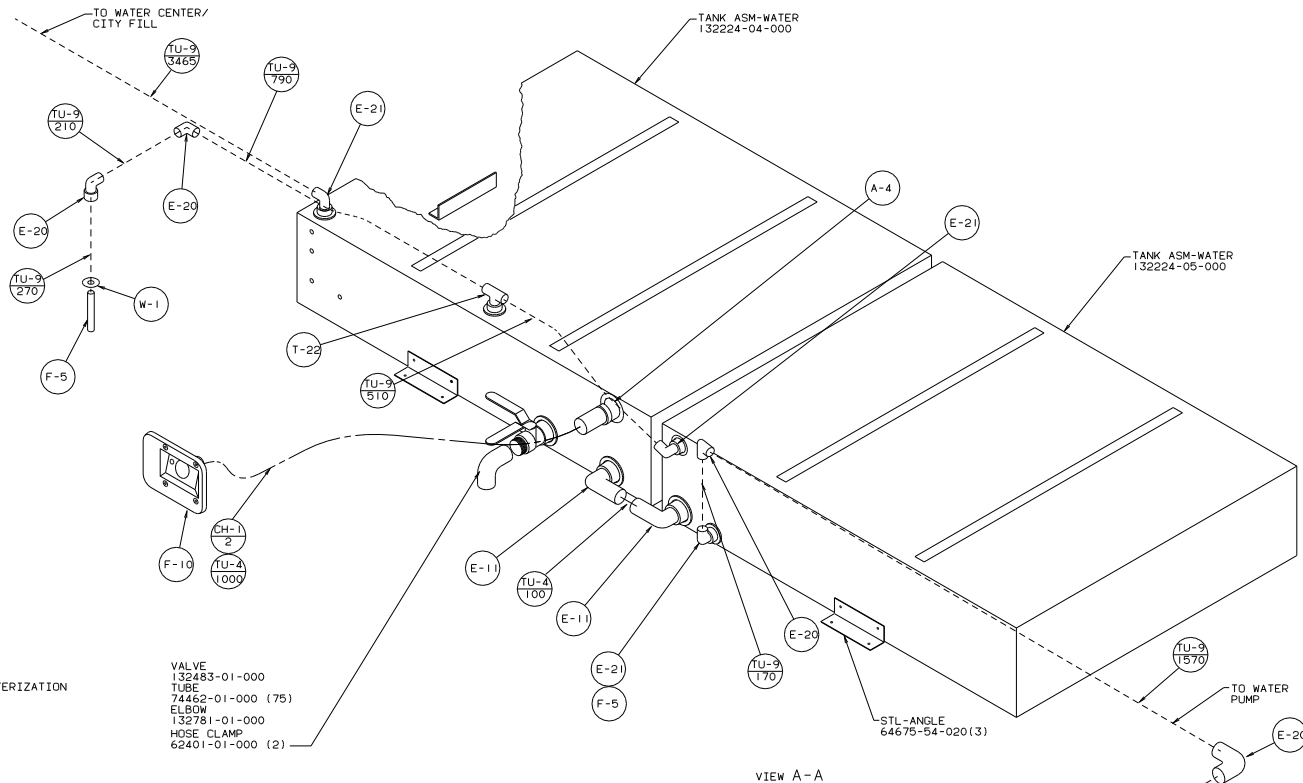
LEGEND	
HOT	-----
COLD	-----

COMPLIANT 2002 WINNEBAGO INDUSTRIES, INC. **WINNEBAGO** 02 G35U

QTY	DATE	UNSPECIFIED TOLERANCES ARE:	MATERIAL
CHRP	DATE	ONE-DIGIT (X.X)	
TRF	DATE	TWO-DIGIT (X.XX)	
TRF	DATE	THREE-DIGIT (X.XXX)	
CDRP	DATE	THREE-DIGIT (X.XXX)	

LANHT NO. 01AG35U TITLE: WATER SYSTEM INSTL
 DIA # SCALE: NONE 30-MET SCALE DRAWING SIZE: 11E NO. 137642
 ALL DIMENSIONS ARE IN MILLIMETERS SHEET 1 OF 4

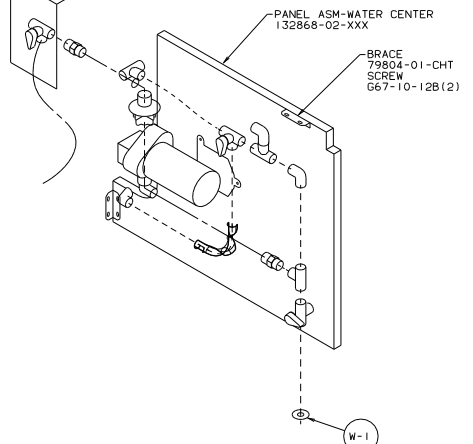
H
G
F
E
D
C
B
A



- VALVE
132483-01-000
- TUBE
74462-01-000 (75)
- ELBOW
132781-01-000
- HOSE CLAMP
62401-01-000 (2)

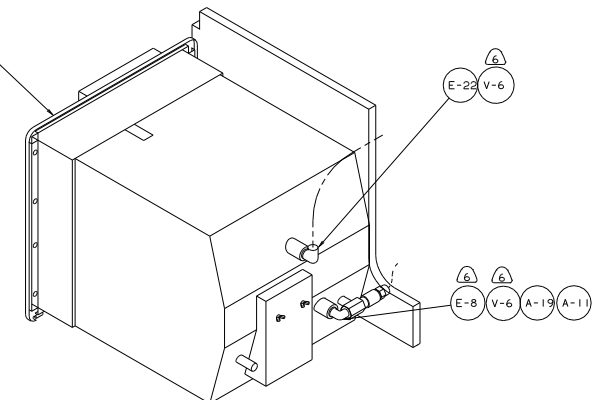
BRACKET-VALVE, WINTERIZATION
137410-01-CHT

TO WATER
TANK



WATER HEATER
51391-05-000

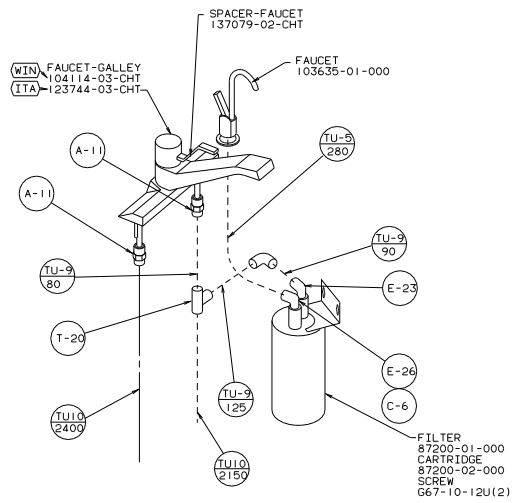
DOOR
125420-03-CHT



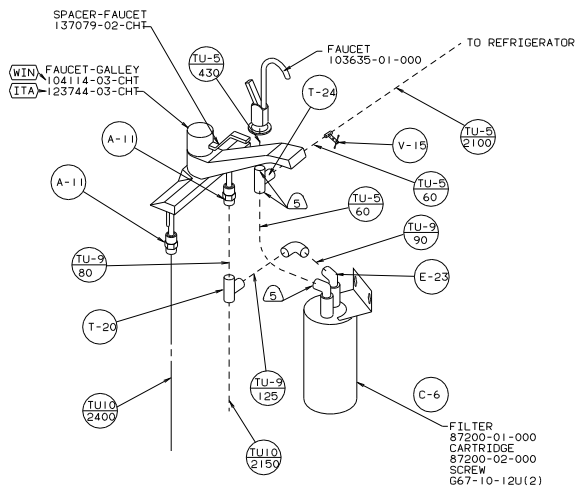
(1B2)
DETAIL C

02 G35U

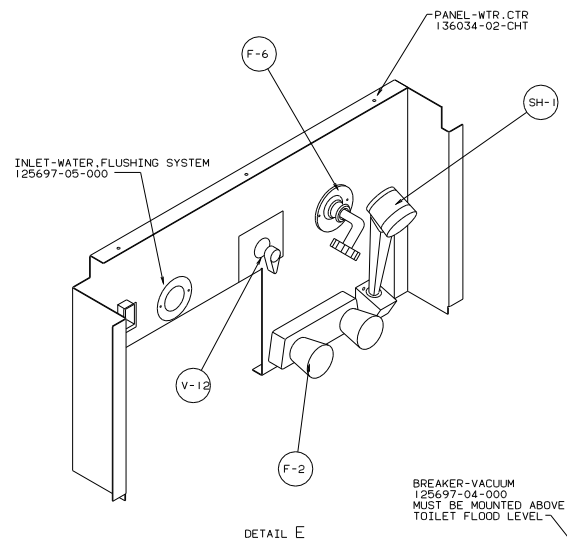
TITLE			
WATER SYSTEM INSTL			
DRW	REV	DATE	BY
1	1		
SHEET 2 OF 4			137642



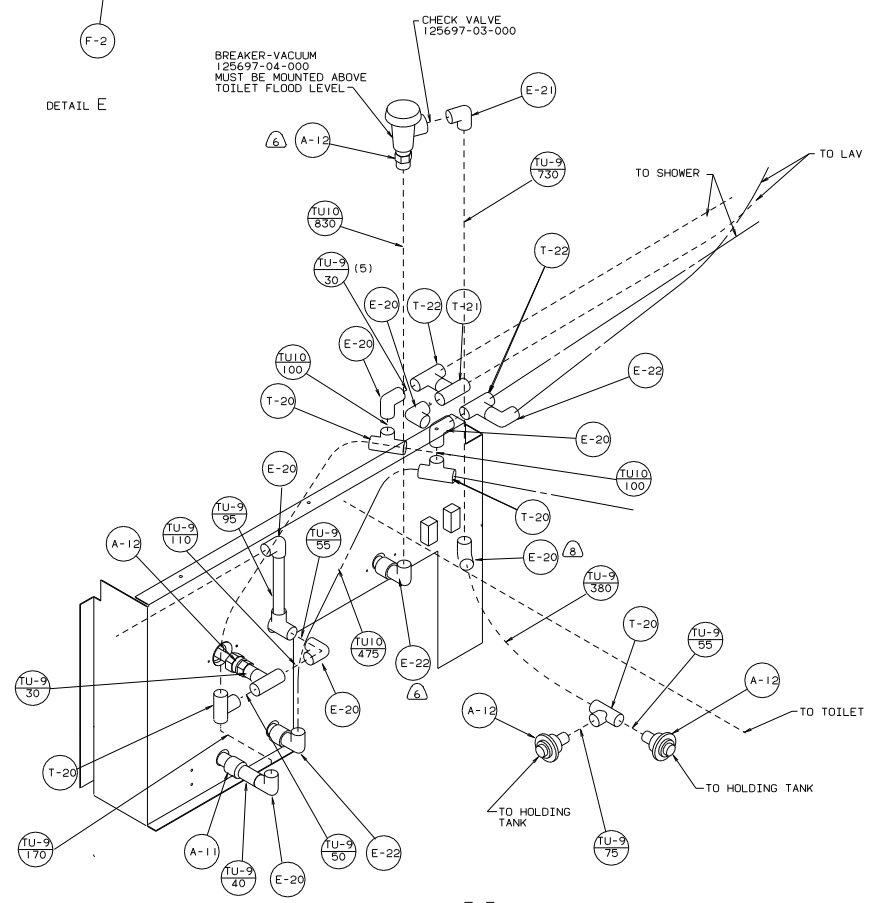
DETAIL D (29B)



DETAIL D (15U)

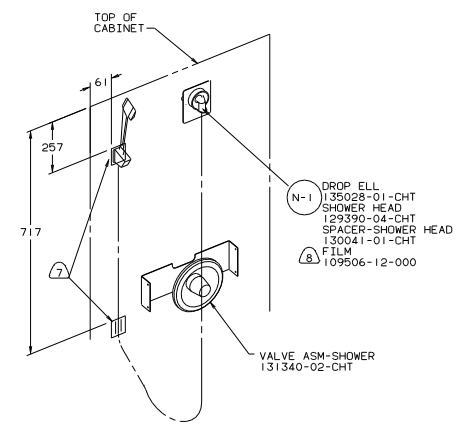
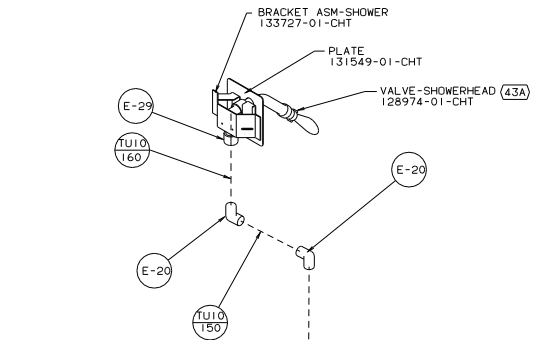


DETAIL E

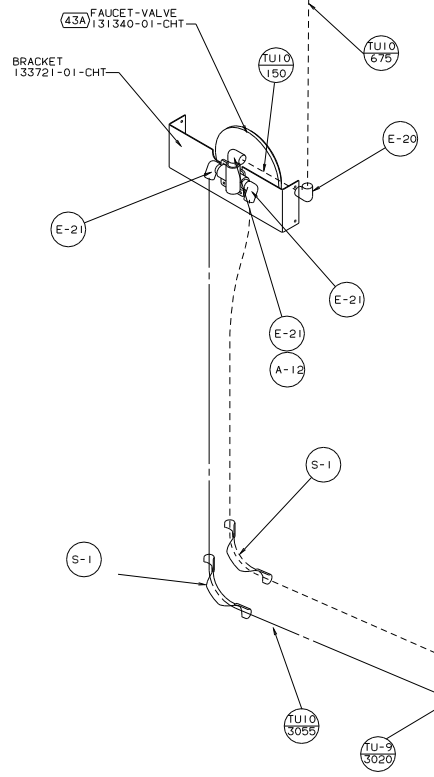


VIEW F-F

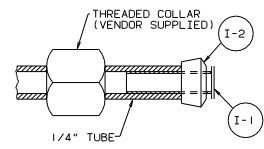
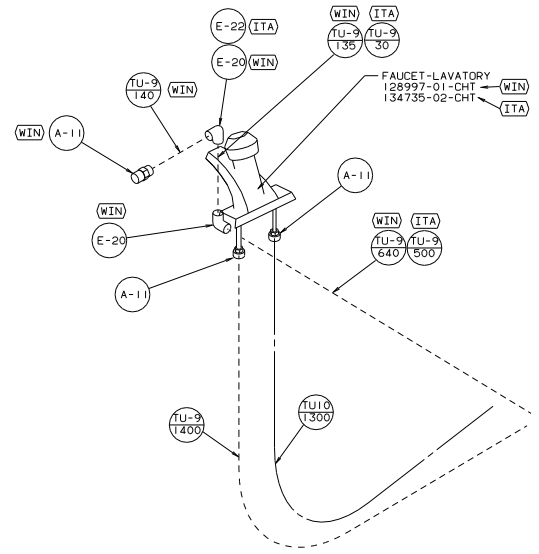
02 G35U



DETAIL G (43H) (9B1)



DETAIL G



DETAIL J