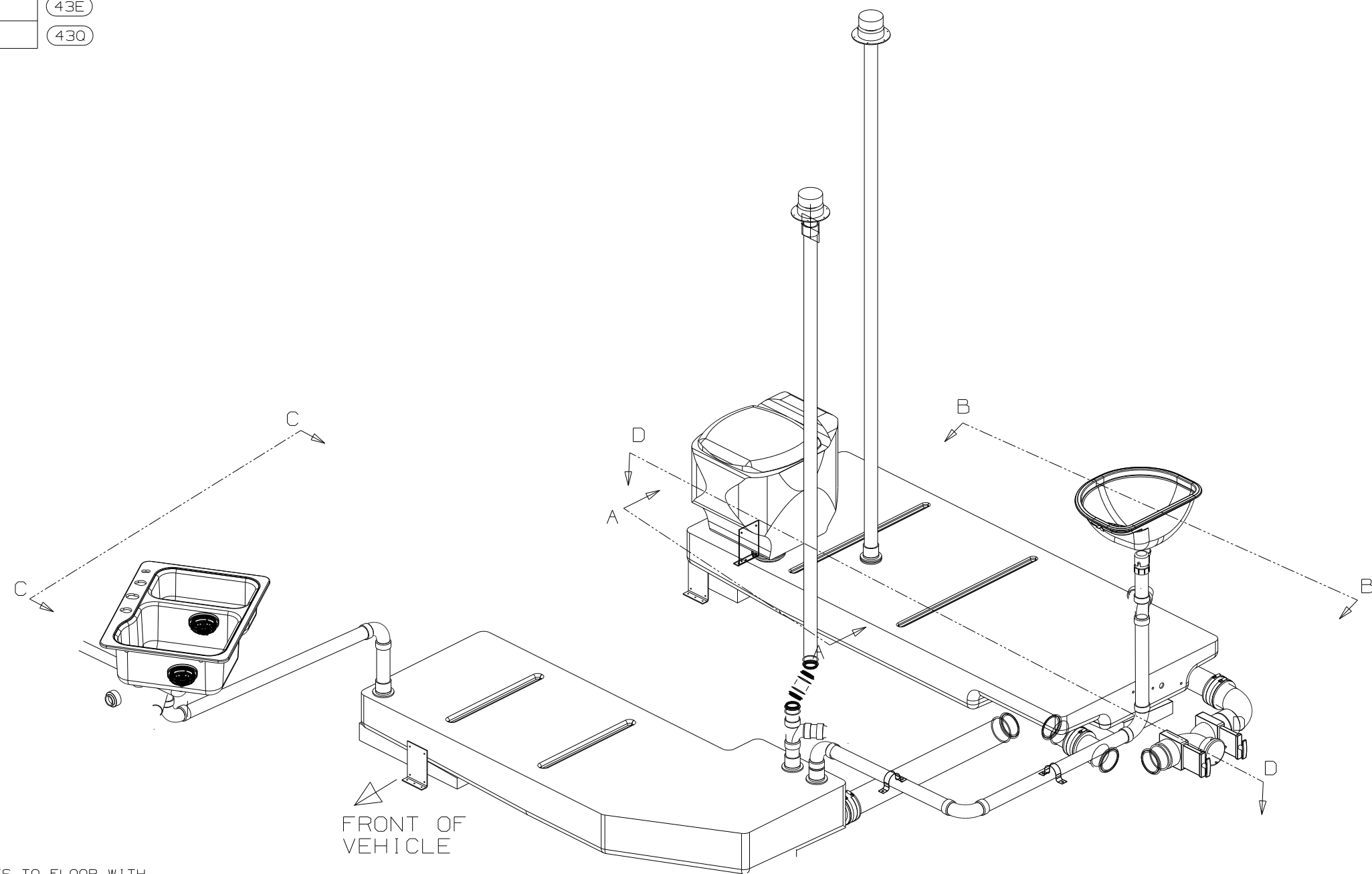


DWG NO	-----
137001-01	(WIN) (43E)
137001-02	(ITA) (430)

RELEASE	REV DATE	DWG NO	137001
REV ZONE	REVISION RECORD	DATE	DFTR-ORIG



- (430) TOILET-PORCELAIN
- (43E) TOILET-PORCELAIN ROUND
- (WIN) WINNEBAGO ONLY
- (ITA) ITASCA ONLY
- (265) CODES/STANDARDS-CSA/CMVSS
- (IB1) CODES/STANDARDS-USA

9. SECURE VENT TUBES TO FLOOR WITH BRACKET 136878-01-CHT (3) CLAMP 62401-02-000 (3), SCREW G67-10-12B (3).

8. TRIM TO FIT.

7. VENT PIPE MUST PROJECT 51 MIN AND 64 MAX ABOVE ROOF FOR PROPER FIT AND FUNCTION.

6. ROF CANADIAN UNITS EACH HOLDING TANK SHALL HAVE A CSA APPROVAL STAMPED NEAR THE IAMPO APPROVAL.

5. SEAL AROUND SHOWER WITH SILICONE.

4. ALL EXTERIOR OPENINGS AROUND PIPE TO BE SEALED WITH 100744-01-000.

3. ALL PIPE AND FITTINGS TO BE ASSEMBLED WITH SOLVENT 4020-01-000.

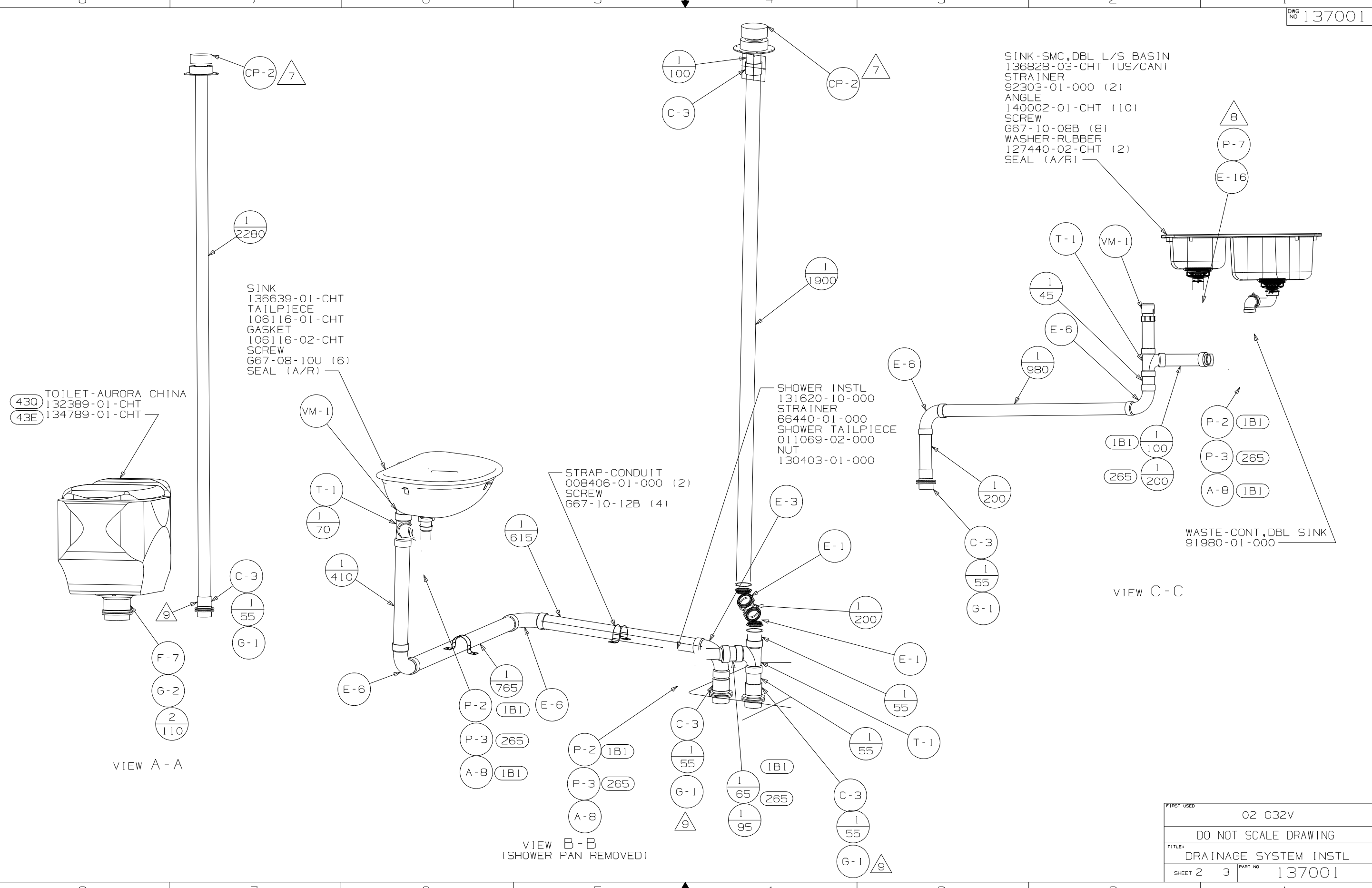
2. SLOPE OF TRAP ARM MUST BE 6 PER 305 mm.

1. SLOPE OF HORIZONTAL PIPING TO BE 6 PER 305 mm.

NOTES:

(X-X)
FOR DRAINAGE CALLOUTS SEE DWG NO. 116229-01-000

WINNEBAGO		COPYRIGHT 2002 WINNEBAGO INDUSTRIES, INC.	
DFTR	ORIG. DATE	ALL DIMENSIONS ARE IN MILLIMETERS	
CHKR		FIRST USED	
P.E.		02 G32V	
M.E.		UNSPECIFIED TOLERANCES ARE:	
DSNR		MATERIAL:	
		WHOLE DIM (X)	: 3
		ONE-PLACE (X.X)	:
		TWO-PLACE (X.XX)	:
		ANGLE	:
THIRD ANGLE PROJECTION		DO NOT SCALE DRAWING	
TITLE: DRAINAGE SYSTEM INSTL			
SHEET 1 OF 3	PART NO	137001	
REF:	1		



SINK
 136639-01-CHT
 TAILPIECE
 106116-01-CHT
 GASKET
 106116-02-CHT
 SCREW
 G67-08-10U (6)
 SEAL (A/R)

SINK-SMC, DBL L/S BASIN
 136828-03-CHT (US/CAN)
 STRAINER
 92303-01-000 (2)
 ANGLE
 140002-01-CHT (10)
 SCREW
 G67-10-08B (8)
 WASHER-RUBBER
 127440-02-CHT (2)
 SEAL (A/R)

SHOWER INSTL
 131620-10-000
 STRAINER
 66440-01-000
 SHOWER TAILPIECE
 011069-02-000
 NUT
 130403-01-000

STRAP-CONDUIT
 008406-01-000 (2)
 SCREW
 G67-10-12B (4)

TOILET-AURORA CHINA
 43Q 132389-01-CHT
 43E 134789-01-CHT

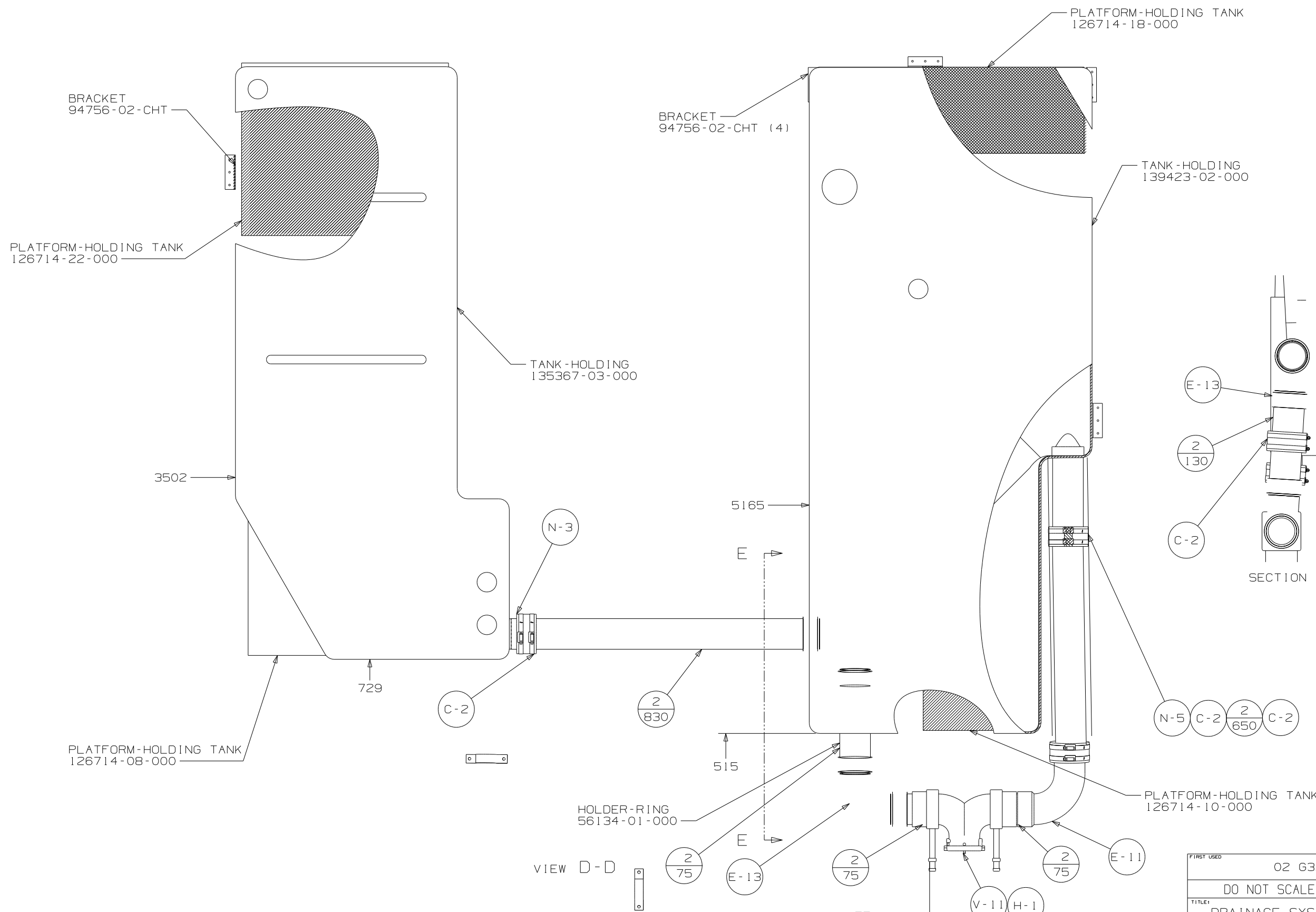
WASTE-CONT, DBL SINK
 91980-01-000

VIEW A-A

VIEW B-B
(SHOWER PAN REMOVED)

VIEW C-C

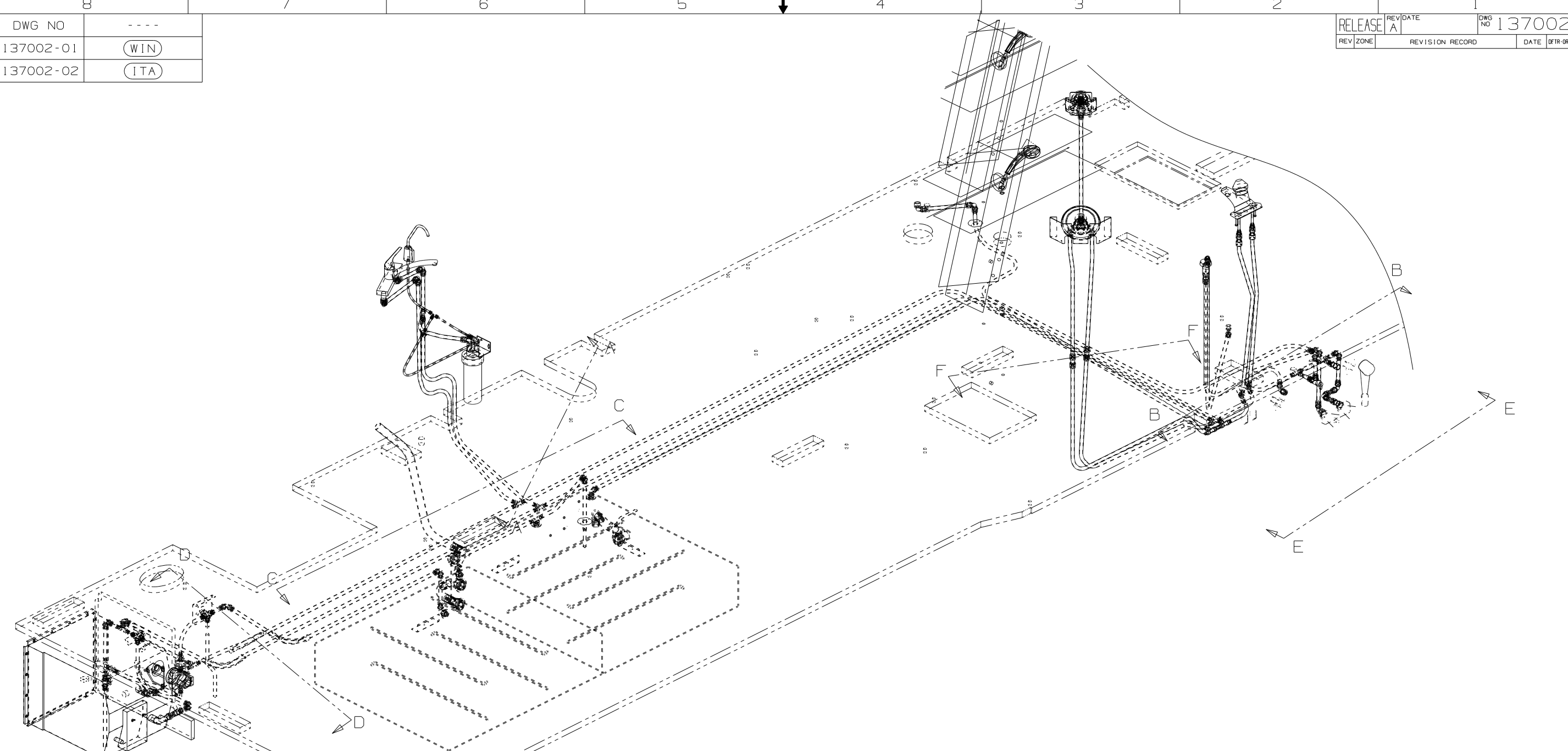
FIRST USED	02 G32V	
TITLE	DO NOT SCALE DRAWING	
	DRAINAGE SYSTEM INSTL	
SHEET 2	3	PART NO 137001



FIRST USED	02 G32V		
TITLE	DO NOT SCALE DRAWING		
	DRAINAGE SYSTEM INSTL		
SHEET 3	3	PART NO	137001

DWG NO	----
137002-01	(WIN)
137002-02	(ITA)

RELEASE	REV DATE	DWG NO
A		137002
REV ZONE	REVISION RECORD	DATE
		DFTR-0016



- NOTES:
1. PLASTIC FITTINGS TO BE SEALED WITH SEALANT 84456-01-000.
 2. TUBING TO BE INSTALLED WITH SUFFICIENT SLOPE TO PROVIDE DRAINAGE TO NEAREST VALVE.
 3. ALL TUBING TO BE SECURED AT 1200 INTERVALS MAXIMUM WITH CLAMP 10495-01-000 OR CLIP 9151-01-000 AND SCREW G67-10-12B.
 4. FLUSHING SYSTEM REQUIRES 125697-06-000 INSTRUCTION SHEET.
 5. ADD TEFLON TAPE 10405-02-000.
 6. APPLY DECAL INSIDE OF UPPER SHOWER HEAD HOLDER TO RETAIN HAND SHOWER UNIT INSIDE OF HOLDER.

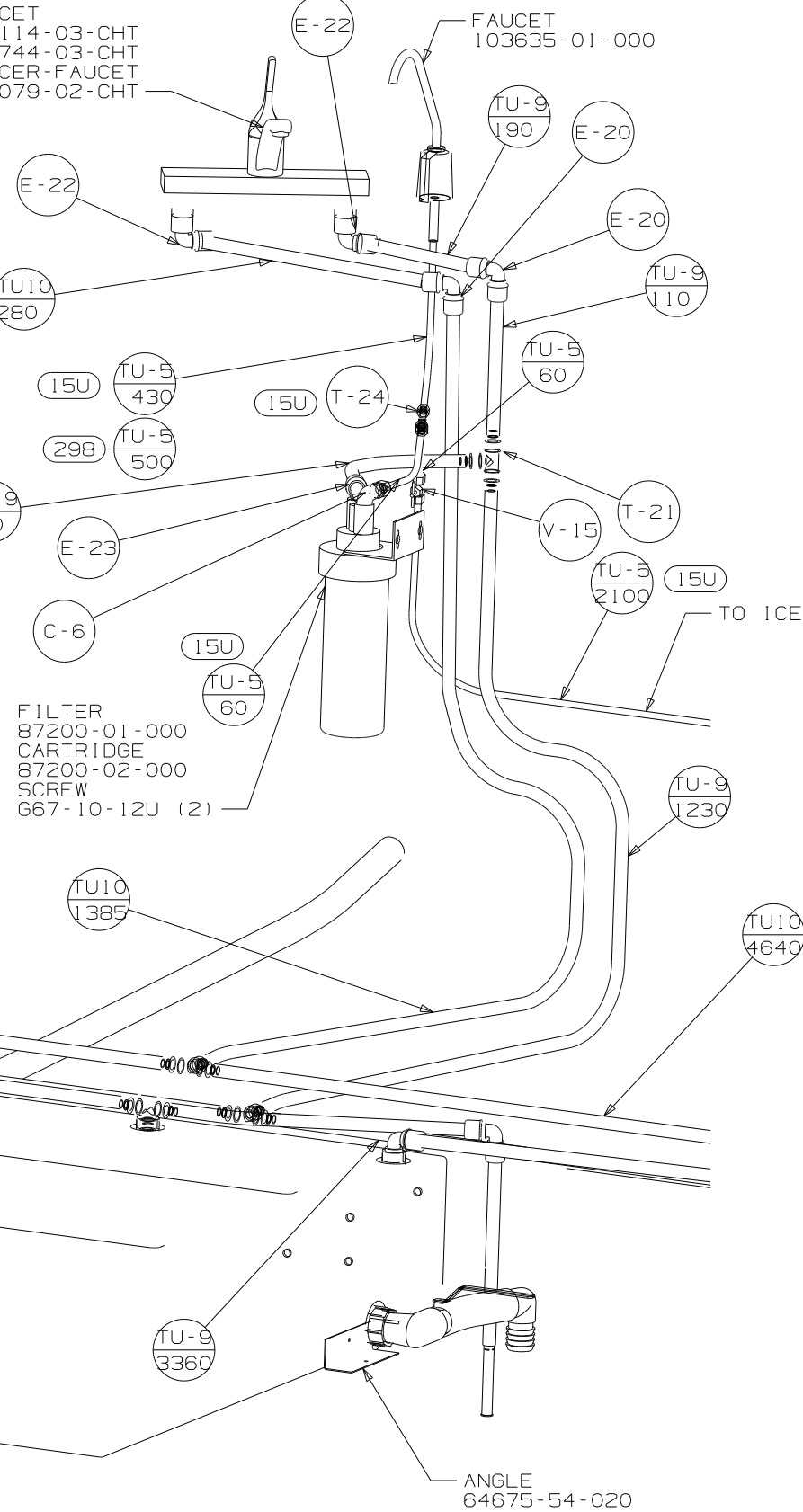
- (43H) SHOWER HEAD-HAND HELD
- (43A) SHOWER HEAD-FIXED
- (WIN) WINNEBAGO ONLY
- (ITA) ITASCA ONLY
- (9B1) SHOWER PACKAGE
- (29B) WATER PURIFIER
- (15U) REFRIGERATOR/FRZR W/ICEMAKER
- (IB2) WTR HTR-10 GAL/ELEC/LP/MTR/ID

(X-X)
FOR WATER CALLOUTS SEE DWG NO 116230-01-000

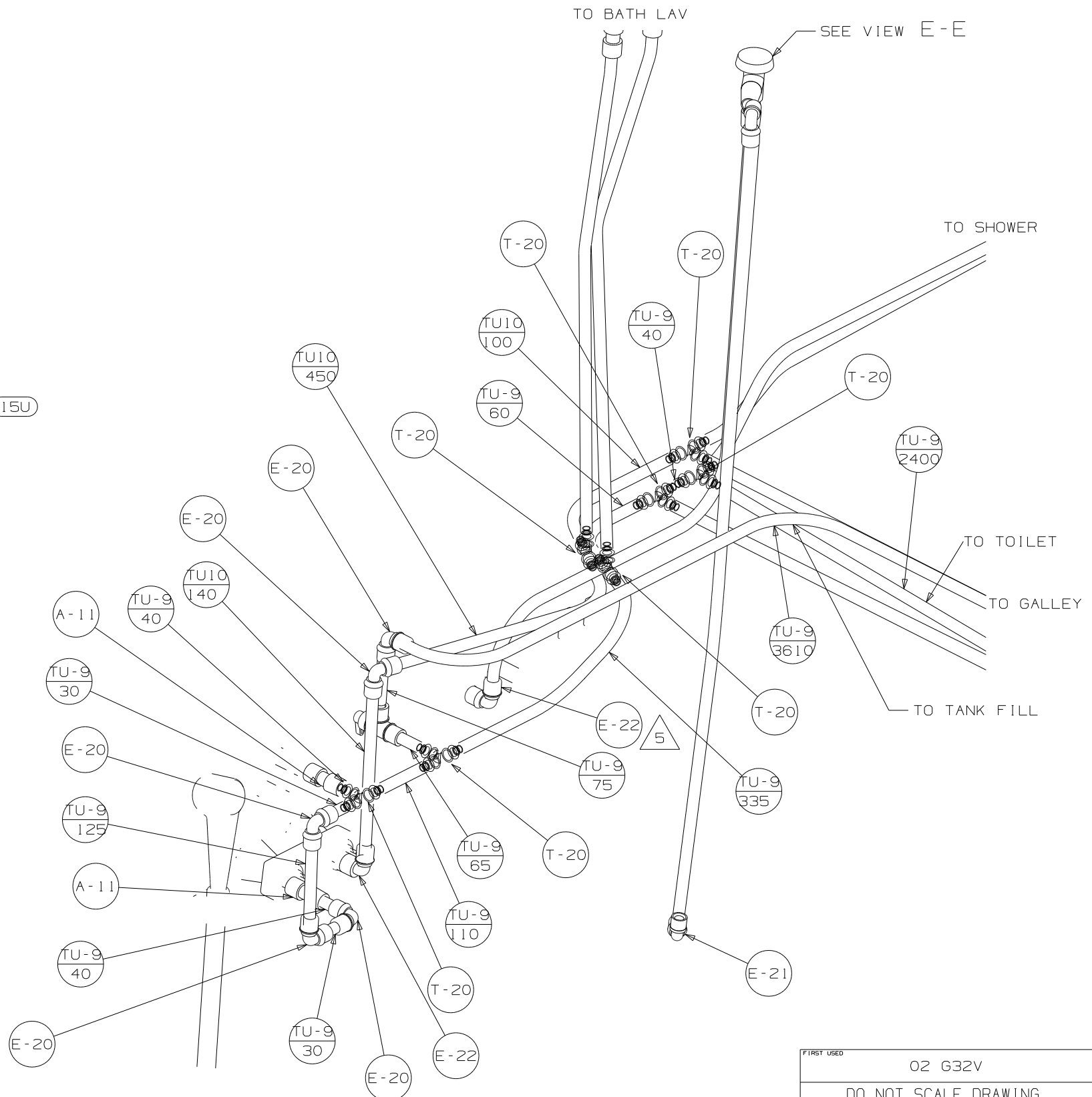
WINNEBAGO		COPYRIGHT 2002 WINNEBAGO INDUSTRIES, INC.	
DFTR	ORIG. DATE	ALL DIMENSIONS ARE IN MILLIMETERS	
CHKR		MATERIAL:	
P.E.		02 G32V	
M.E.	FIRST USED	UNSPECIFIED TOLERANCES ARE:	
DSNR		HOLE DIM (X) : 7	
		ONE-PLACE (X.X) :	
		TWO-PLACE (X.XX) :	
		ANGLE :	
THIRD ANGLE PROJECTION		DO NOT SCALE DRAWING	
		TITLE: WATER SYSTEM INSTL	
SHEET 1 OF 4		PART NO 137002	
REF: 1			

WIN
ITA
FAUCET
104114-03-CHT
123744-03-CHT
SPACER-FAUCET
137079-02-CHT

FAUCET
103635-01-000

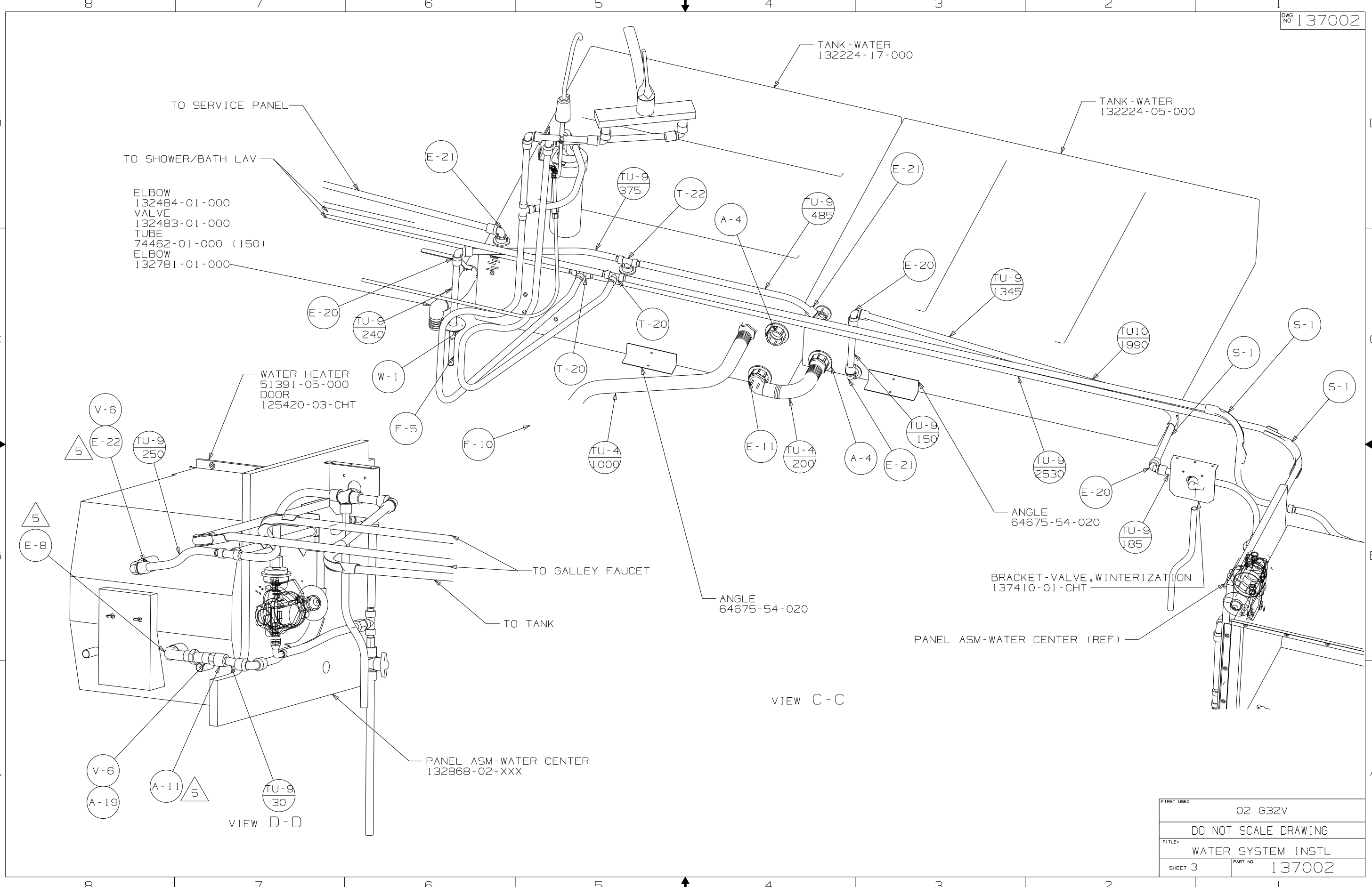


VIEW A-A (29B)



VIEW B-B

FIRST USED	02 G32V
DO NOT SCALE DRAWING	
TITLE	WATER SYSTEM INSTL
SHEET 2	PART NO 137002



FIRST USED	02 G32V
TITLE	DO NOT SCALE DRAWING
TITLE	WATER SYSTEM INSTL
SHEET 3	PART NO 137002

CHECK VALVE
125697-03-000

BREAKER - VACUUM
125697-04-000
MUST BE MOUNTED ABOVE
TOILET FLOOD LEVEL

TU-9
125

A-12

E-21

TU-9
1275

E-20

TU10
1075

W-1

TO TOILET

F-6

SH-1

5

INLET-WATER FLUSHING SYSTEM
125697-05-000

VIEW E-E

V-12

F-2

BRACKET ASM-SHOWER HEAD
131551-01-CHT

E-29

TU10
545

E-22

E-10

E-21

E-21

VIEW G
BRACKETS REMOVED

PLATE-COVER, SHOWER HEAD
131549-01-CHT

(43A) VALVE-SHOWER HEAD
128974-01-CHT

(43A) FAUCET-SHOWER
131340-01-CHT

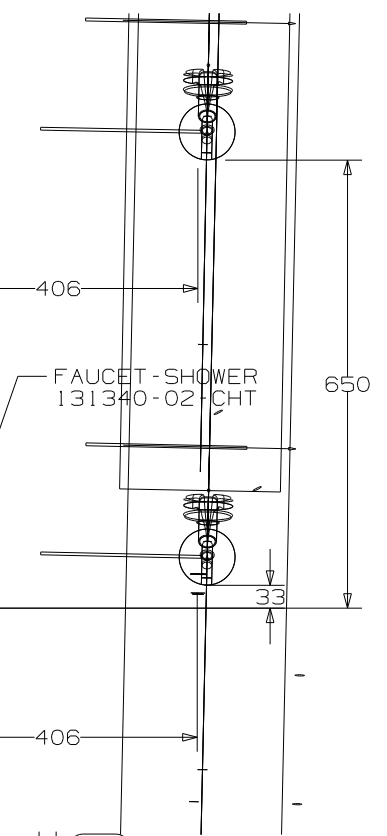
BRACKET-SHOWER CONTROL
131554-01-CHT

FAUCET-LAV, SGL CONTROL
(WIN) 128997-01-CHT
(ITA) 134735-02-CHT

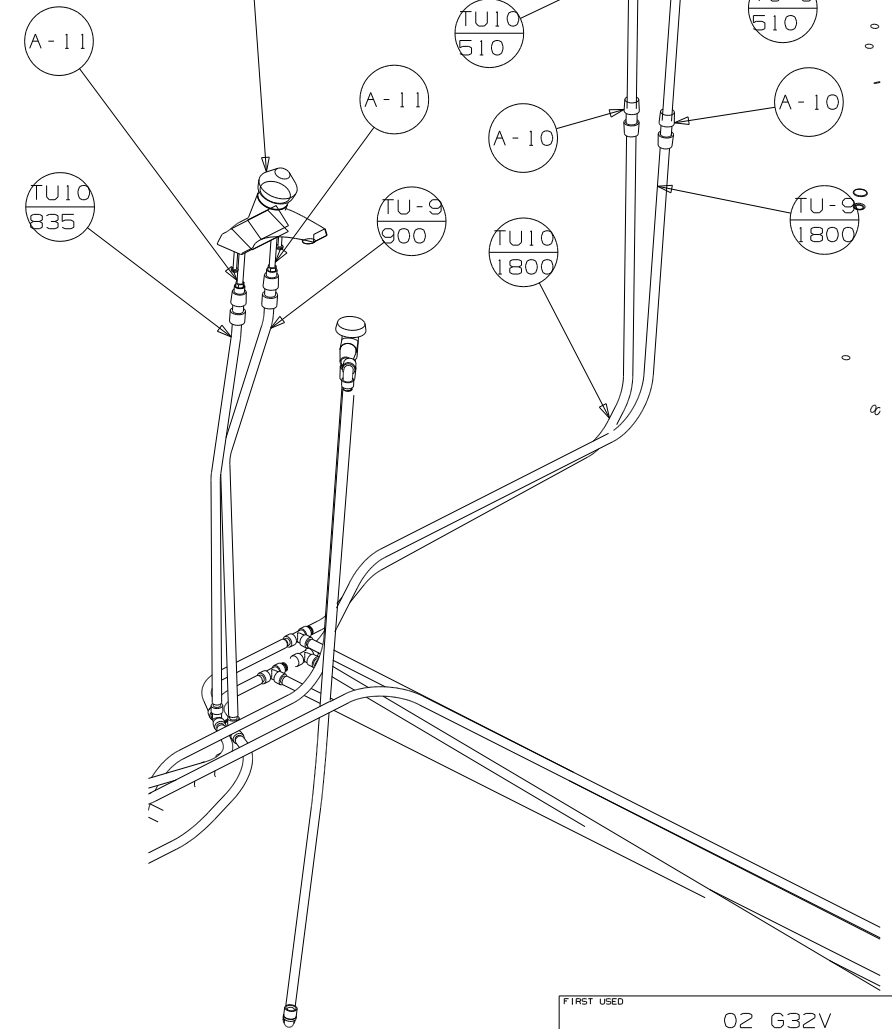
DROP ELL
135028-01-CHT (9B1)
SHOWER HEAD
129390-03-CHT
SPACER
130041-01-CHT

N-1

FILM
109506-12-000 6



VIEW H (9B1)



VIEW F-F

FIRST USED	02 G32V
TITLE	DO NOT SCALE DRAWING
TITLE	WATER SYSTEM INSTL
SHEET 4	PART NO 137002