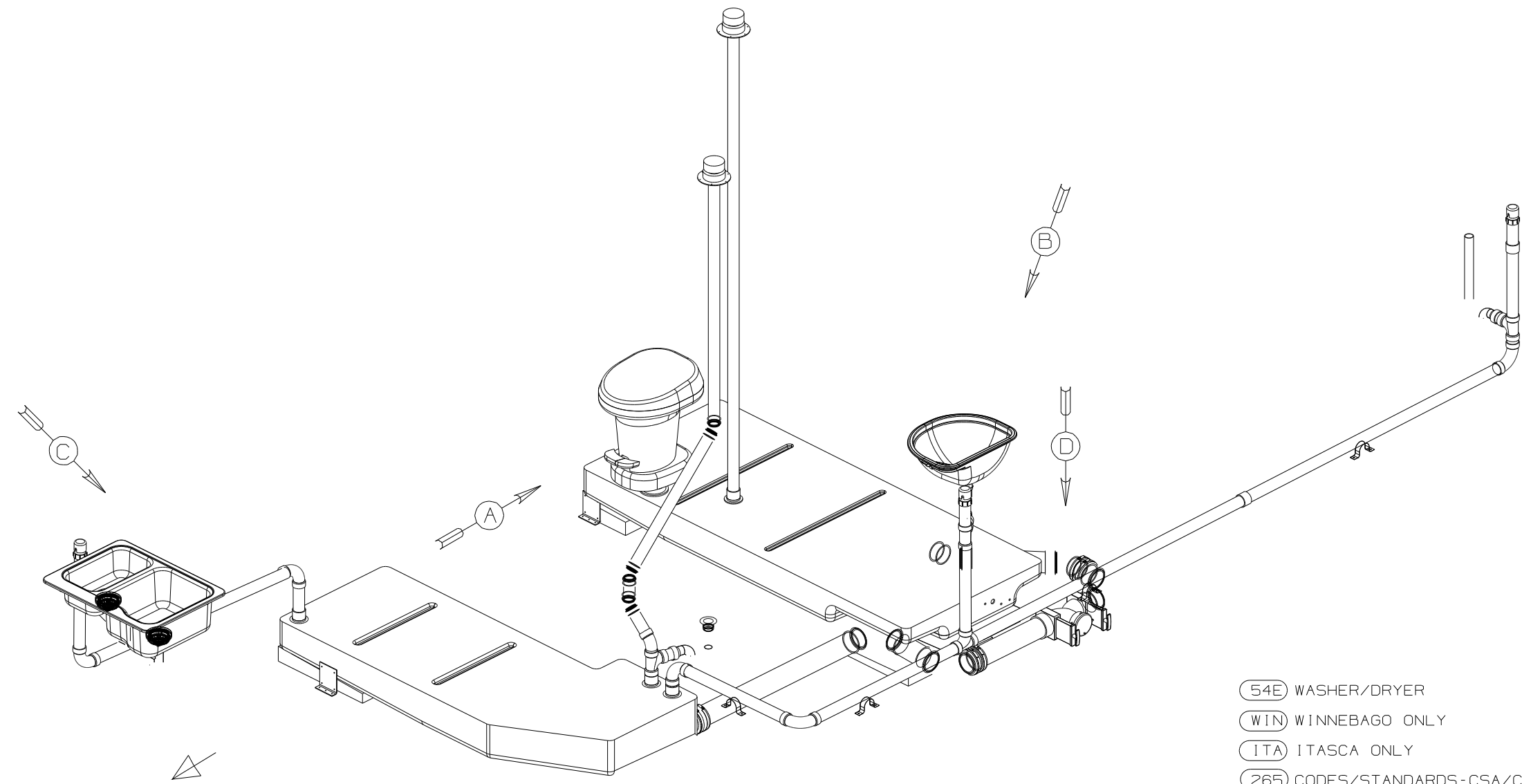


DWG NO	----
139896-01	(WIN)
139896-02	(ITA)

RELEASE	REV DATE	DWG NO	139896
REV ZONE	REVISION RECORD	DATE	DFTR-ORIG



- (54E) WASHER/DRYER
- (WIN) WINNEBAGO ONLY
- (ITA) ITASCA ONLY
- (265) CODES/STANDARDS-CSA/CMVSS
- (1B1) CODES/STANDARDS-USA
- (21M) WASHER/DRYER/PREP

- NOTES:
7. SECURE VENT TO FLOOR WITH BRACKET 136878-01-CHT CLAMP 62401-02-000, SCREW G67-10-12B.
 6. VENT PIPE MUST PROJECT 51 MIN AND 64 MAX ABOVE ROOF FOR PROPER FIT AND FUNCTION.
 5. SEAL AROUND SHOWER WITH SILICONE.
 4. ALL EXTERIOR OPENINGS AROUND PIPE TO BE SEALED WITH 100744-01-000.
 3. ALL PIPE AND FITTINGS TO BE ASSEMBLED WITH SOLVENT 4020-01-000.
 2. SLOPE OF TRAP ARM MUST BE 6 PER 305 mm.
 1. SLOPE OF HORIZONTAL PIPING TO BE 6 PER 305 mm.

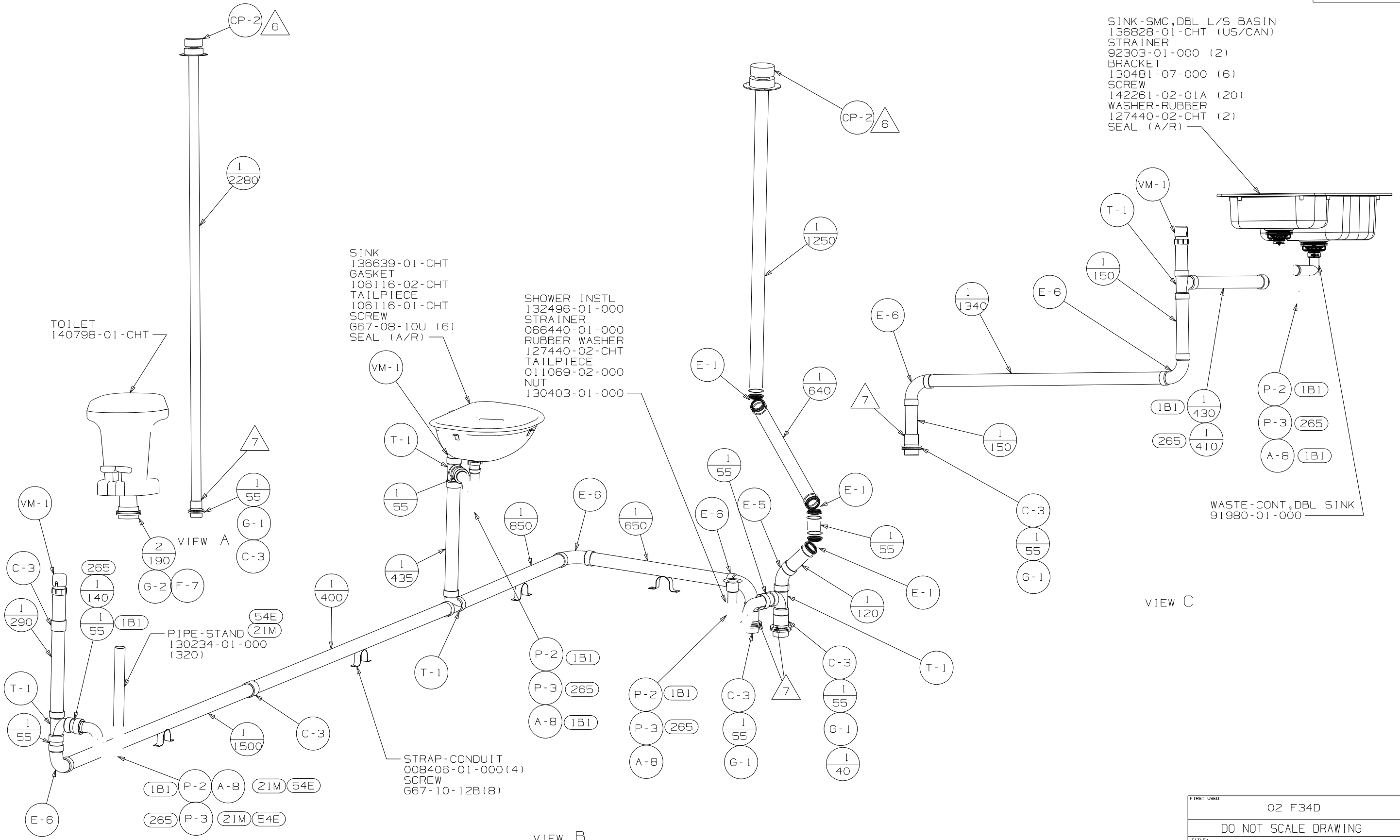
(x-x)
FOR DRAINAGE CALLOUTS SEE DWG NO. 116229-01-000

WINNEBAGO		COPYRIGHT 2002 WINNEBAGO INDUSTRIES, INC.	
DFTR	ORIG. DATE	ALL DIMENSIONS ARE IN MILLIMETERS	
CHKR		FIRST USED	
P.E.		02 F34D	
M.E.		UNSPECIFIED TOLERANCES ARE:	
DSNR		MATERIAL:	
		WHOLE DIM (X)	: 3
		ONE-PLACE (X.X)	:
		TWO-PLACE (X.XX)	:
		ANGLE	:
		THIRD ANGLE PROJECTION	
DO NOT SCALE DRAWING			
TITLE: DRAINAGE SYSTEM INSTL			
SHEET 1 OF 3	PART NO	139896	

- SINK-SMC, DBL L/S BASIN
- 136828-01-CHT (US/CAN)
- STRAINER
- 92303-01-000 (2)
- BRACKET
- 130481-07-000 (6)
- SCREW
- 142261-02-01A (20)
- WASHER-RUBBER
- 127440-02-CHT (2)
- SEAL (A/R)

- SINK
 - 136639-01-CHT
 - GASKET
 - 106116-02-CHT
 - TAILPIECE
 - 106116-01-CHT
 - SCREW
 - G67-08-10U (6)
 - SEAL (A/R)
- SHOWER INSTL
 - 132496-01-000
 - STRAINER
 - 066440-01-000
 - RUBBER WASHER
 - 127440-02-CHT
 - TAILPIECE
 - 011069-02-000
 - NUT
 - 130403-01-000

TOILET
140798-01-CHT



VIEW A

PIPE-STAND
130234-01-000
(320)

STRAP-CONDUIT
008406-01-000 (4)
SCREW
G67-10-12B (8)

VIEW B
(SHOWER PAN REMOVED)

VIEW C

WASTE-CONT, DBL SINK
91980-01-000

FIRST USED	02 F34D
TITLE	DO NOT SCALE DRAWING
	DRAINAGE SYSTEM INSTL
SHEET 2	PART NO 139896

8

7

6

5

4

3

2

1

D

D

C

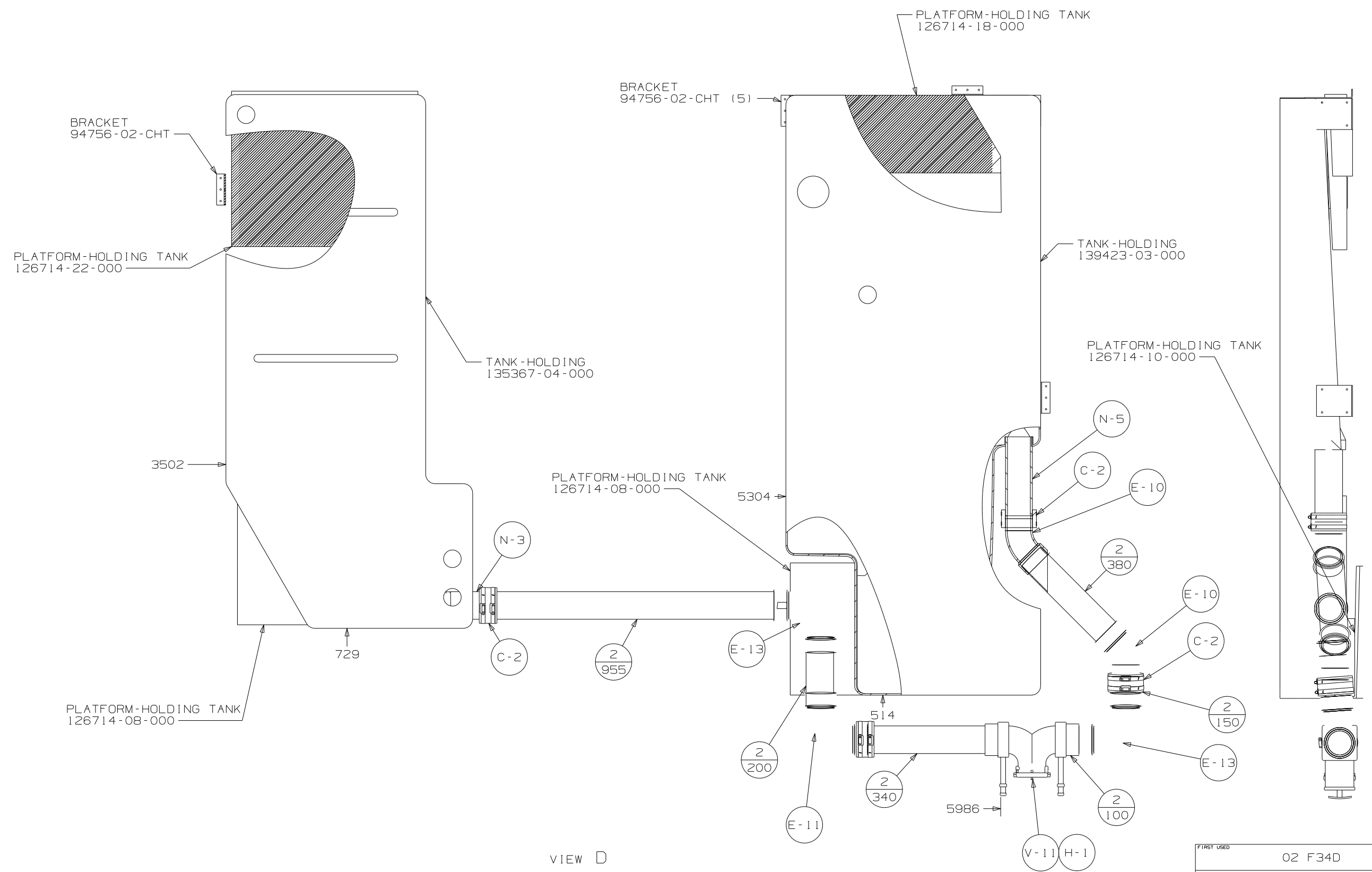
C

B

B

A

A



VIEW D

FIRST USED	02 F34D
TITLE	DO NOT SCALE DRAWING
	DRAINAGE SYSTEM INSTL
SHEET 3	PART NO 139896

8

7

6

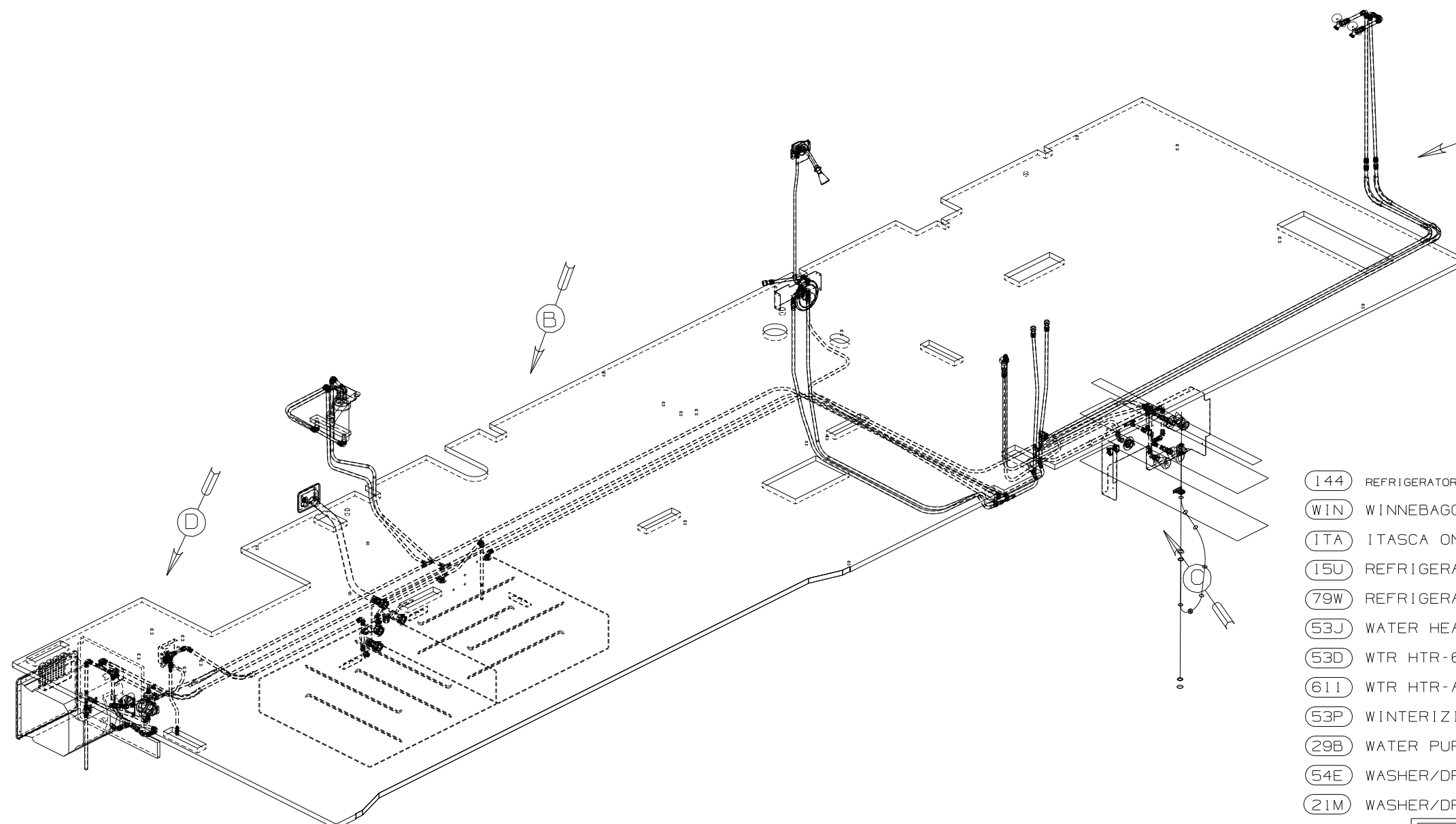
5

4

3

2

1

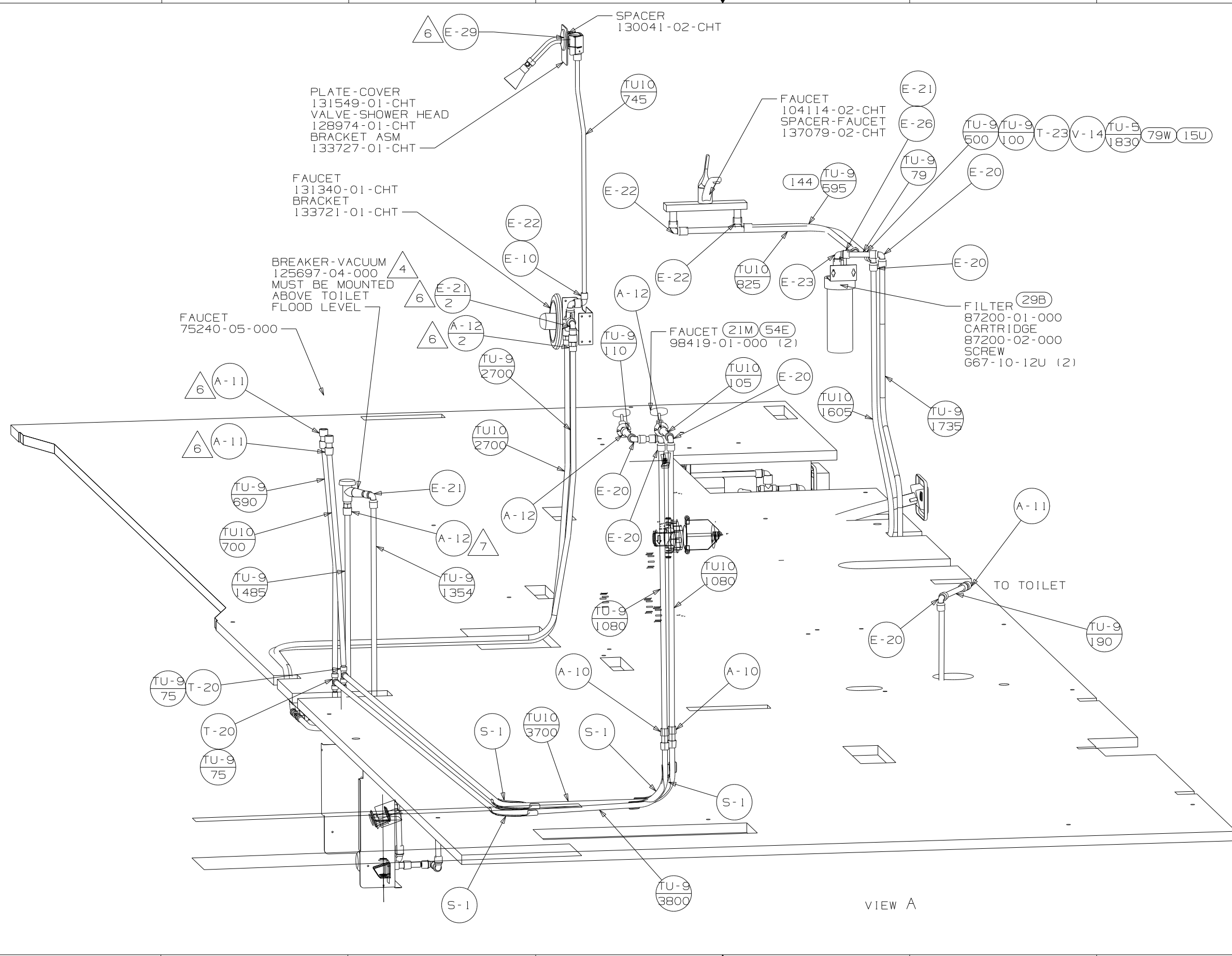


- (144) REFRIGERATOR-DOUBLE DOOR
- (WIN) WINNEBAGO ONLY
- (ITA) ITASCA ONLY
- (15U) REFRIGERATOR DBL DOOR-W/ICEMAKER
- (79W) REFRIGERATOR-4 DOOR
- (53J) WATER HEATER BY-PASS-VALVE
- (53D) WTR HTR-6 GAL/ELEC/LP/MOTORAID
- (611) WTR HTR-AUX AUTO/MOTORAID
- (53P) WINTERIZING VALVE, MANUAL
- (29B) WATER PURIFIER
- (54E) WASHER/DRYER
- (21M) WASHER/DRYER PREP

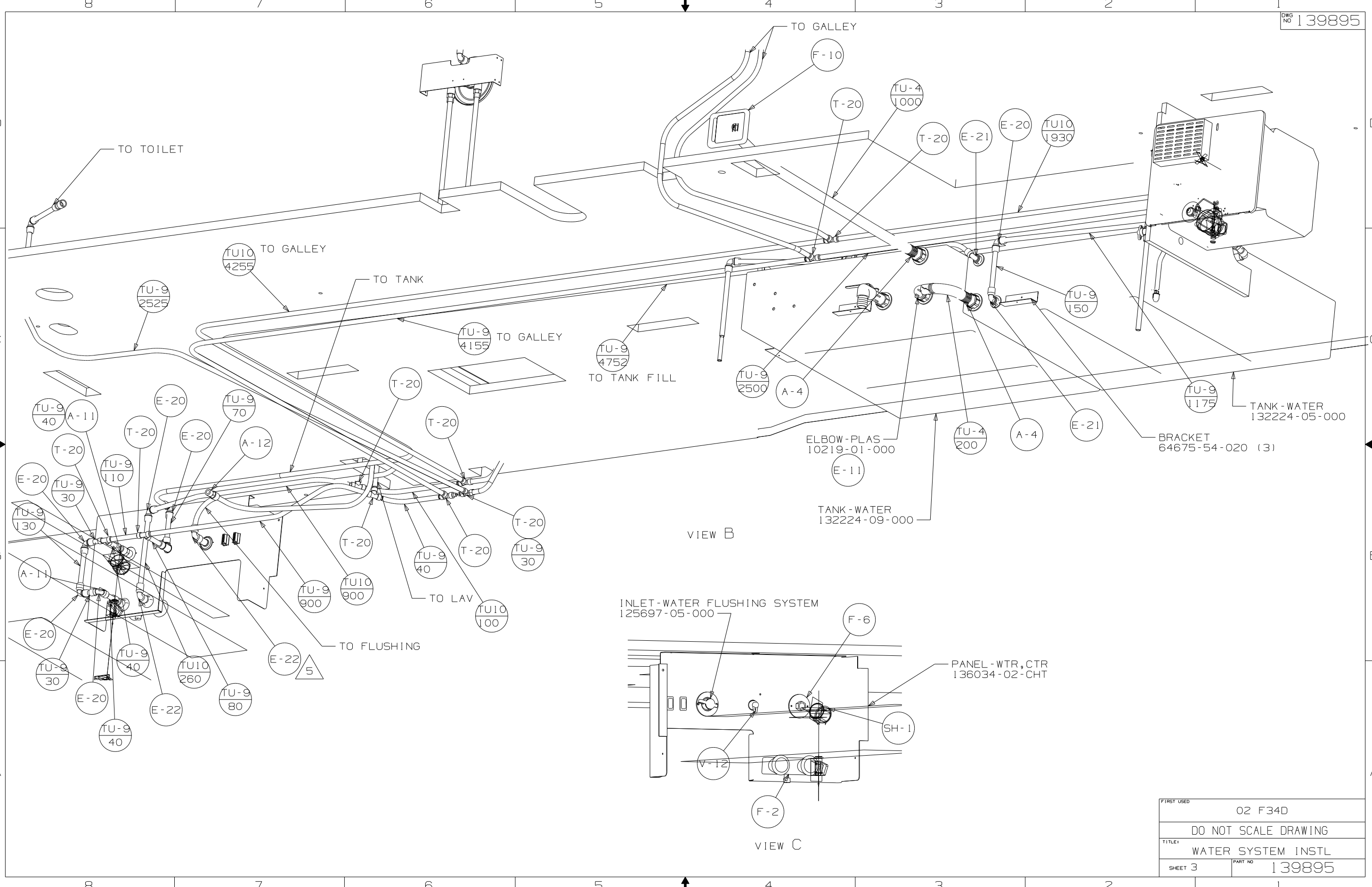
- NOTES:
7. ADD TEFLON TAPE 10405-03-000.
 6. ADD TEFLON TAPE 10405-01-000.
 5. ADD TEFLON TAPE 10405-02-000.
 4. FLUSHING SYSTEM REQUIRES 125697-06-000 INSTRUCTION SHEET.
 3. ALL TUBING TO BE SECURED AT 1200 INTERVALS MAXIMUM WITH CLAMP 10495-01-000 OR CLIP 9151-01-000 AND SCREW G67-10-12B.
 2. TUBING TO BE INSTALLED WITH SUFFICIENT SLOPE TO PROVIDE DRAINAGE TO NEAREST VALVE.
 1. PLASTIC FITTINGS TO BE SEALED WITH SEALANT 84456-01-000.

(X-X)
FOR
WATER
CALLOUTS
SEE DWG NO
116230-01-000

WINNEBAGO		COPYRIGHT 2002 WINNEBAGO INDUSTRIES, INC.	
DFTR	ORIG. DATE	ALL DIMENSIONS ARE IN MILLIMETERS	
CHKR		FIRST USED	
P.E.		02 F34D	
M.E.		UNSPECIFIED TOLERANCES ARE:	
DSNR		MATERIAL:	
		WHOLE DIM (X) :	7
		ONE-PLACE (X.X) :	
		TWO-PLACE (X.XX) :	
		ANGLE :	
THIRD ANGLE PROJECTION		DO NOT SCALE DRAWING	
TITLE: WATER SYSTEM INSTL			
SHEET 1 OF 4		PART NO 139895	



FIRST USED	02 F34D
TITLE	DO NOT SCALE DRAWING
SHEET 2	PART NO 139895

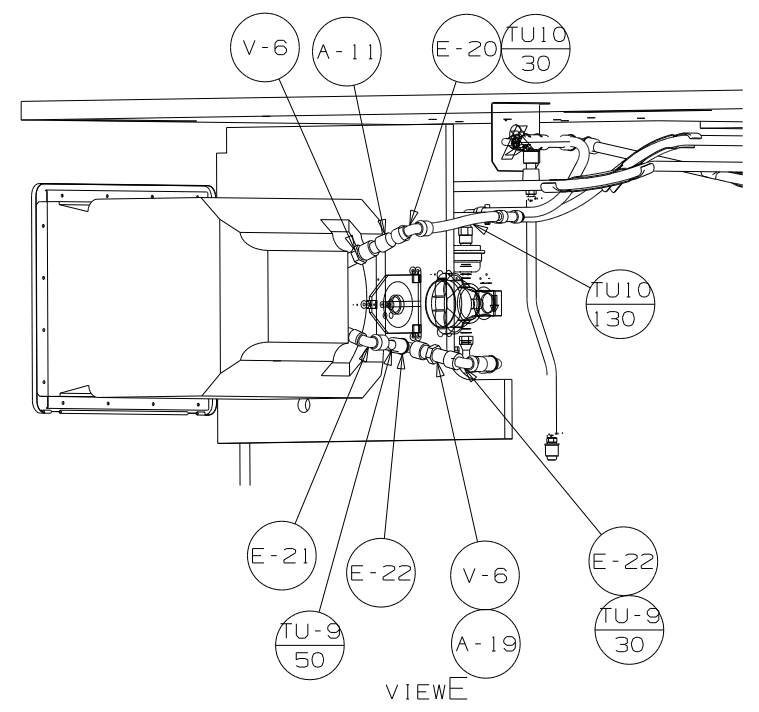


VIEW B

INLET-WATER FLUSHING SYSTEM
125697-05-000

VIEW C

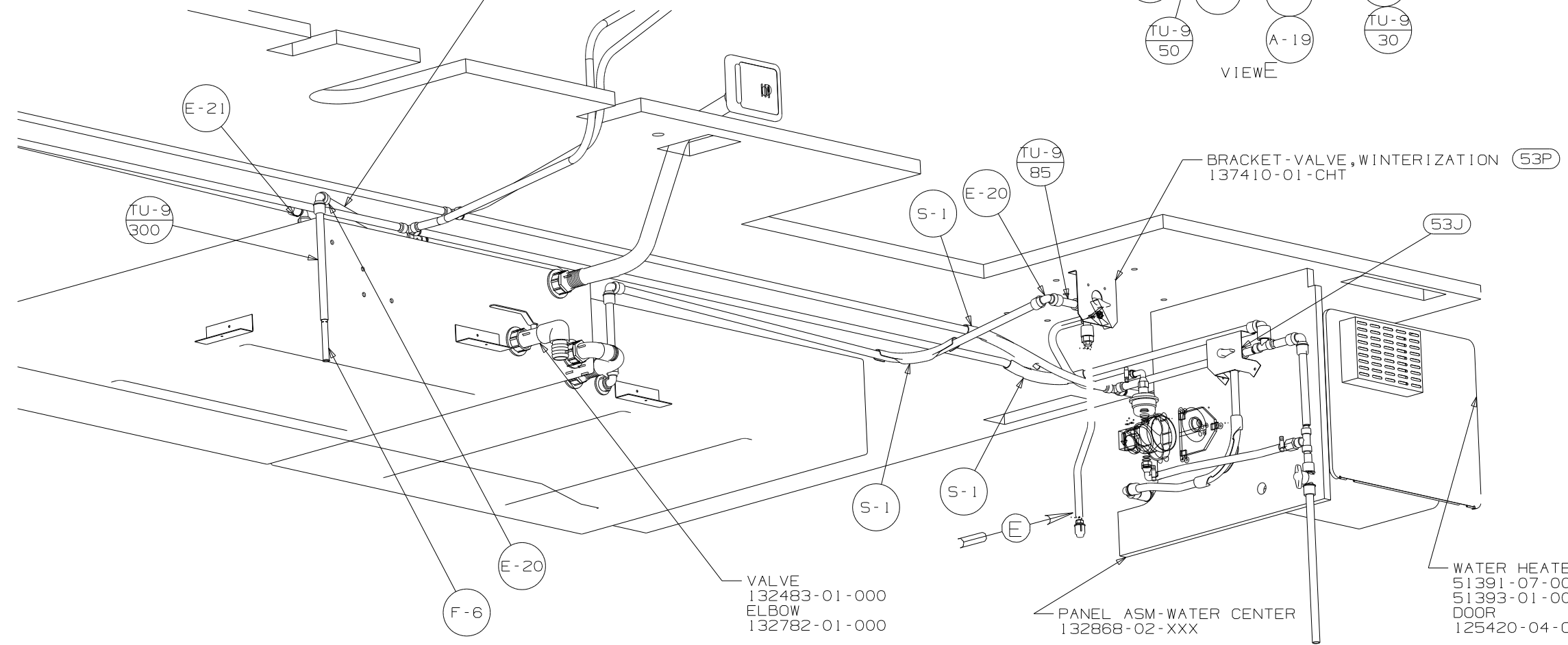
FIRST USED	02 F34D
TITLE	DO NOT SCALE DRAWING
TITLE	WATER SYSTEM INSTL
SHEET 3	PART NO 139895



VIEW E

TANK VENT SYSTEM

- E-21
- T-9/485
- T-22
- TU-9/300



VIEW D

FIRST USED	02 F34D
TITLE	DO NOT SCALE DRAWING
TITLE	WATER SYSTEM INSTL
SHEET 4	PART NO 139895