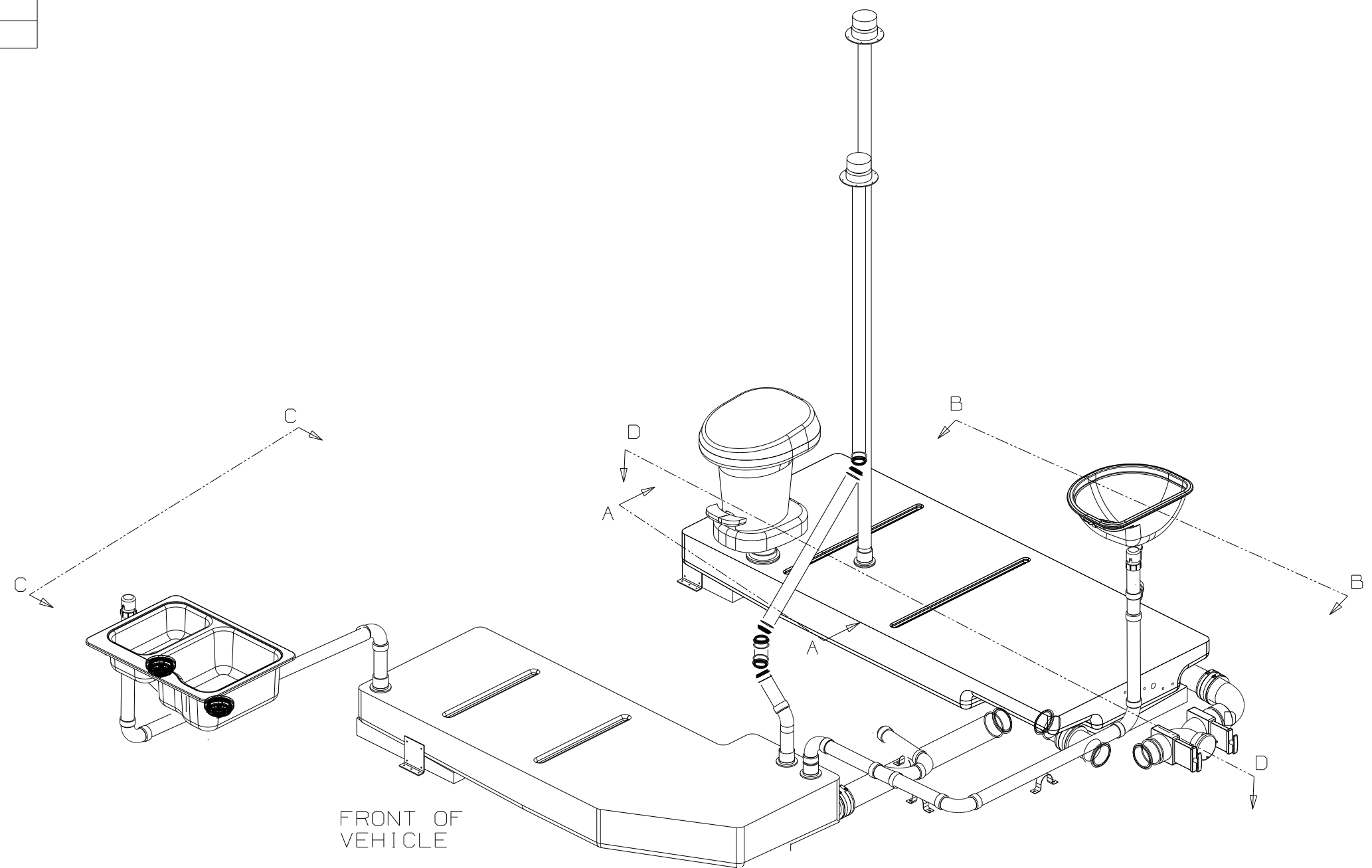


DWG NO	----
138431-01	(WIN)
138431-02	(ITA)

RELEASE	REV DATE	DWG NO	138431
REV ZONE	REVISION RECORD	DATE	DFTR-ORIG



FRONT OF VEHICLE

- (WIN) WINNEBAGO ONLY
- (ITA) ITASCA ONLY
- (265) CODES/STANDARDS - CSA/CMVSS
- (IB1) CODES/STANDARDS - USA

- NOTES:
9. SECURE TO FLOOR WITH BRACKET 136878-01-CHT, CLAMP 62401-02-000, AND SCREW G67-10-12B.
 8. TRIM TO FIT.
 7. VENT PIPE MUST PROJECT 51 MIN AND 64 MAX ABOVE ROOF FOR PROPER FIT AND FUNCTION.
 6. ROF CANADIAN UNITS EACH HOLDING TANK SHALL HAVE A CSA APPROVAL STAMPED NEAR THE IAMPO APPROVAL.
 5. SEAL AROUND SHOWER WITH SILICONE.
 4. ALL EXTERIOR OPENINGS AROUND PIPE TO BE SEALED WITH 100744-01-000.
 3. ALL PIPE AND FITTINGS TO BE ASSEMBLED WITH SOLVENT 4020-01-000.
 2. SLOPE OF TRAP ARM MUST BE 6 PER 305 mm.
 1. SLOPE OF HORIZONTAL PIPING TO BE 6 PER 305 mm.

(X-X)
FOR DRAINAGE CALLOUTS SEE DWG NO. 116229-01-000

WINNEBAGO		COPYRIGHT 2002 WINNEBAGO INDUSTRIES, INC.	
DFTR	ORIG. DATE	ALL DIMENSIONS ARE IN MILLIMETERS	
CHKR		FIRST USED	
P.E.		02 F32V	
M.E.		UNSPECIFIED TOLERANCES ARE:	
DSNR		MATERIAL:	
		WHOLE DIM (X)	: 3
		ONE-PLACE (X.X)	:
		TWO-PLACE (X.XX)	:
		ANGLE	:
		THIRD ANGLE PROJECTION	
DO NOT SCALE DRAWING			
TITLE: DRAINAGE SYSTEM INSTL			
SHEET 1 OF 3	PART NO	138431	

- SINK-SMC, DBL L/S BASIN
- 136828-01-CHT (US/CAN)
- STRAINER
- 92303-01-000 (2)
- BRACKET
- 130481-07-CHT (6)
- SCREW
- 142261-02-CHT (20)
- WASHER-RUBBER
- 127440-02-CHT (2)
- SEAL (A/R)

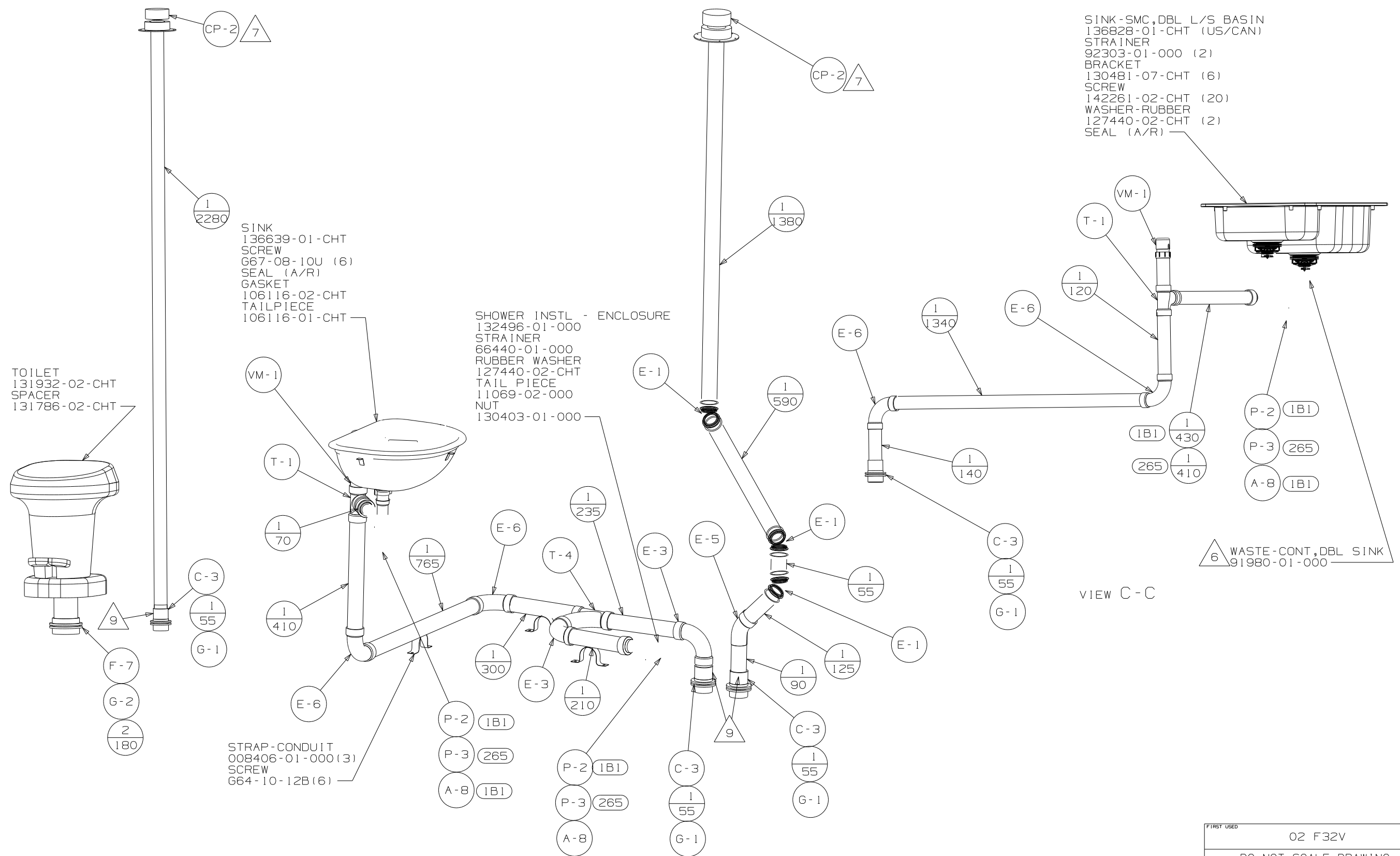
- SINK
- 136639-01-CHT
- SCREW
- G67-08-10U (6)
- SEAL (A/R)
- GASKET
- 106116-02-CHT
- TAILPIECE
- 106116-01-CHT

- SHOWER INSTL - ENCLOSURE
- 132496-01-000
- STRAINER
- 66440-01-000
- RUBBER WASHER
- 127440-02-CHT
- TAIL PIECE
- 11069-02-000
- NUT
- 130403-01-000

- TOILET
- 131932-02-CHT
- SPACER
- 131786-02-CHT

- STRAP-CONDUIT
- 008406-01-000 (3)
- SCREW
- G64-10-12B (6)

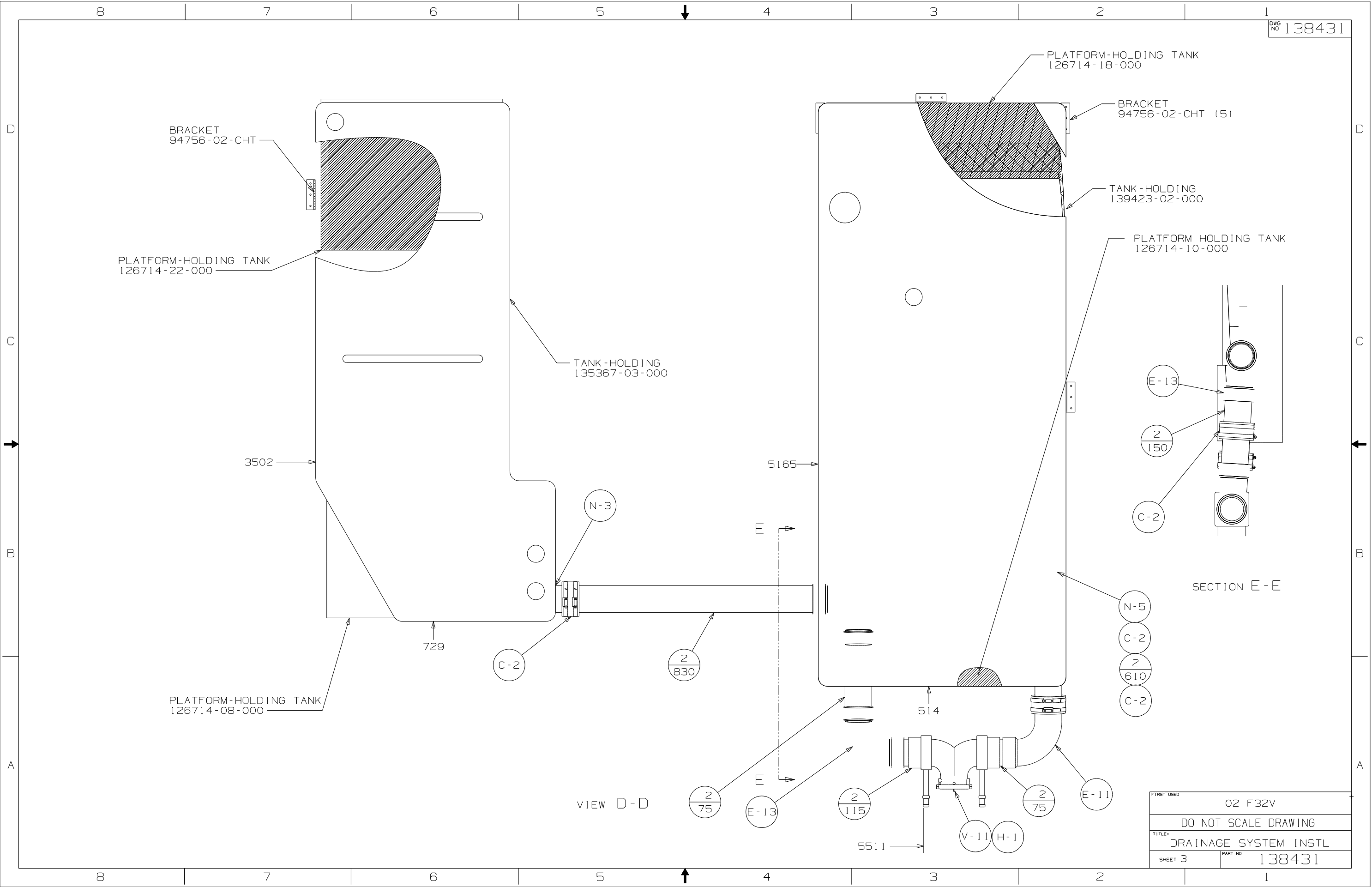
- WASTE-CONT, DBL SINK
- 91980-01-000



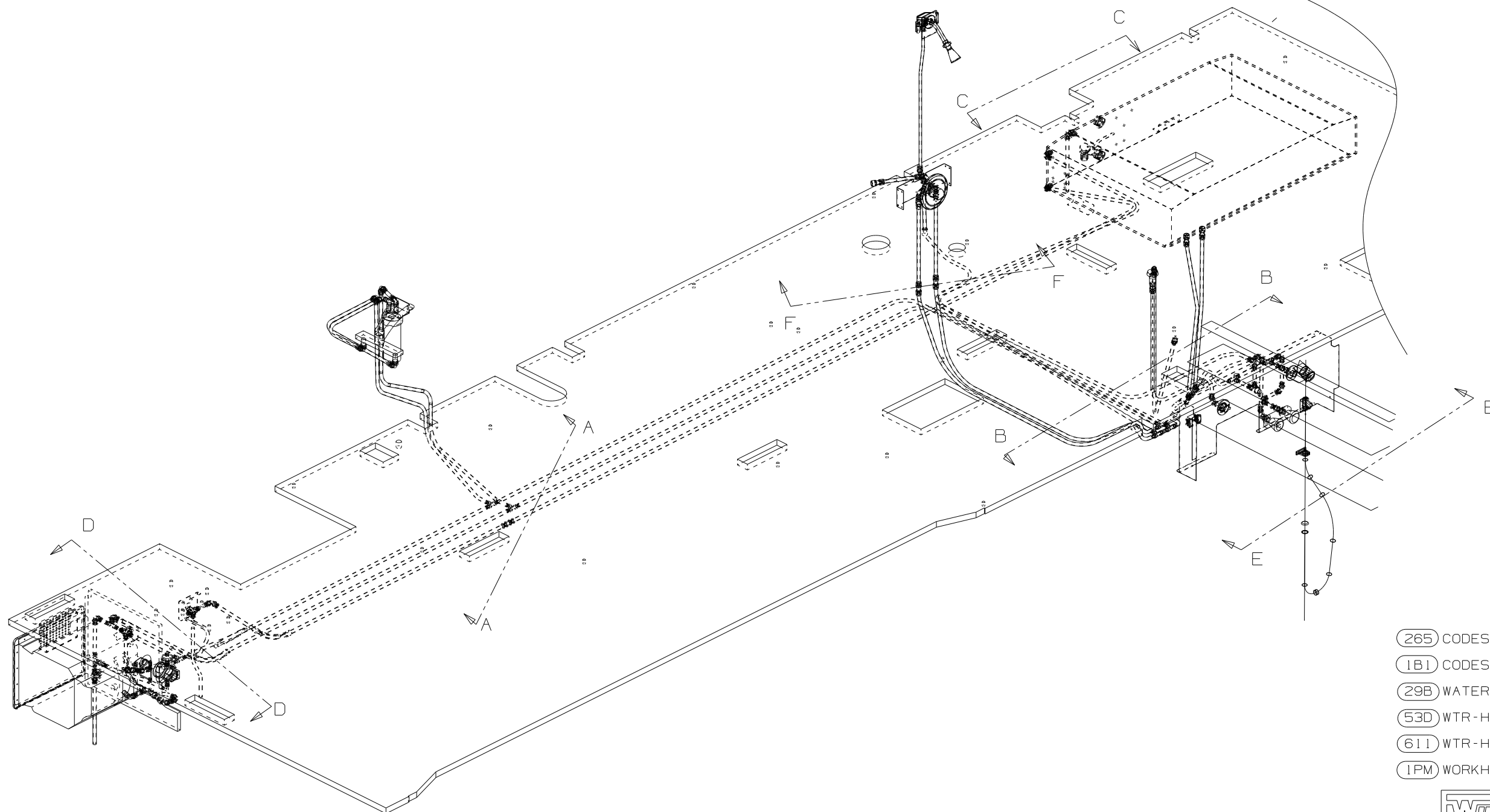
VIEW C-C

VIEW B-B
(SHOWER PAN REMOVED)

FIRST USED	02 F32V
TITLE	DO NOT SCALE DRAWING
	DRAINAGE SYSTEM INSTL
SHEET 2	PART NO 138431



FIRST USED	02 F32V
DO NOT SCALE DRAWING	
TITLE	DRAINAGE SYSTEM INSTL
SHEET 3	PART NO 138431

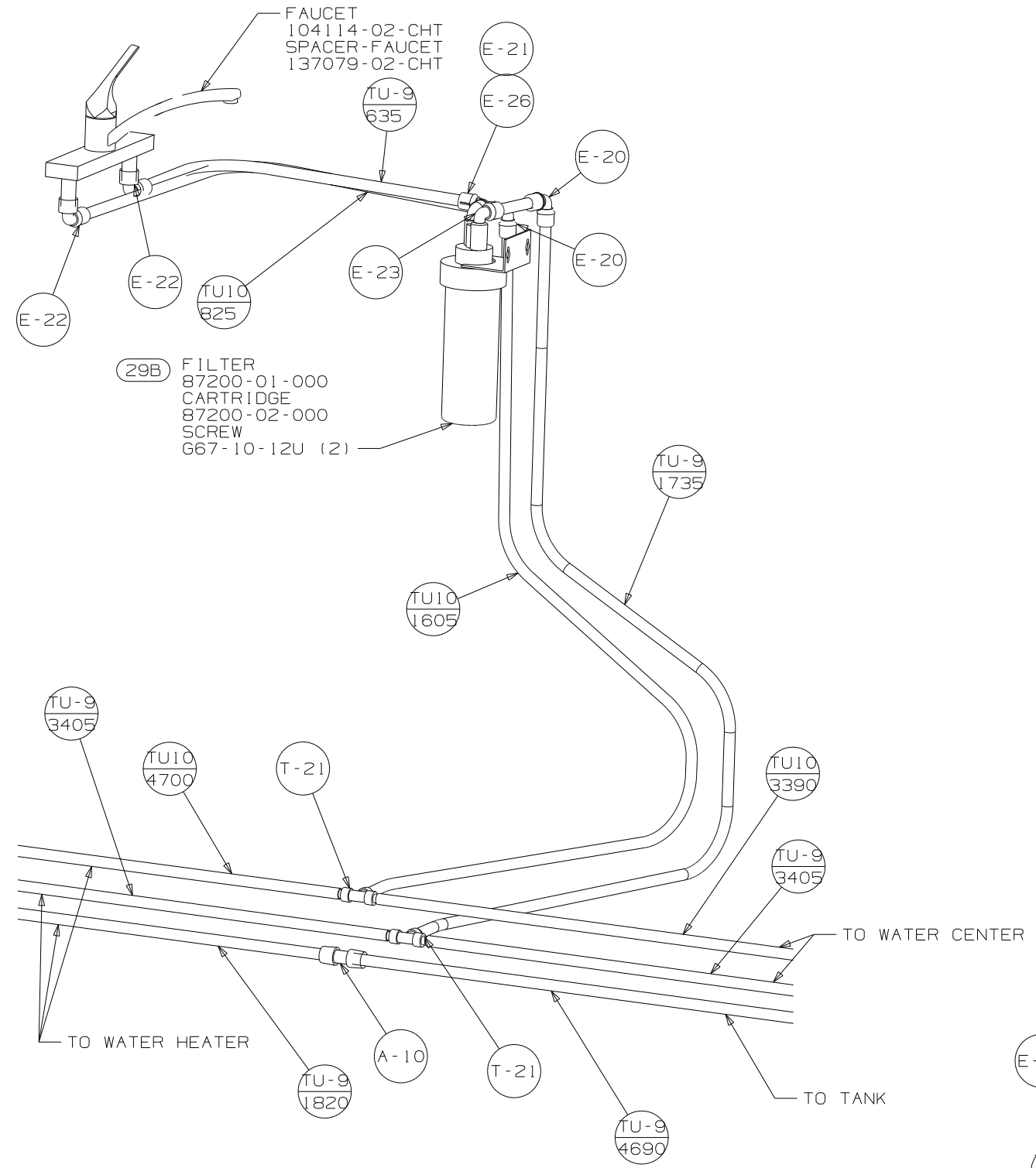


- (265) CODES/STANDARDS-CSA/CMVSS
- (1B1) CODES/STANDARDS USA
- (29B) WATER PURIFIER
- (53D) WTR-HTR-6/ELE/LP/MA
- (611) WTR-HTR-AUX AUTO MA
- (1PM) WORKHORSE-18,000# GVWR

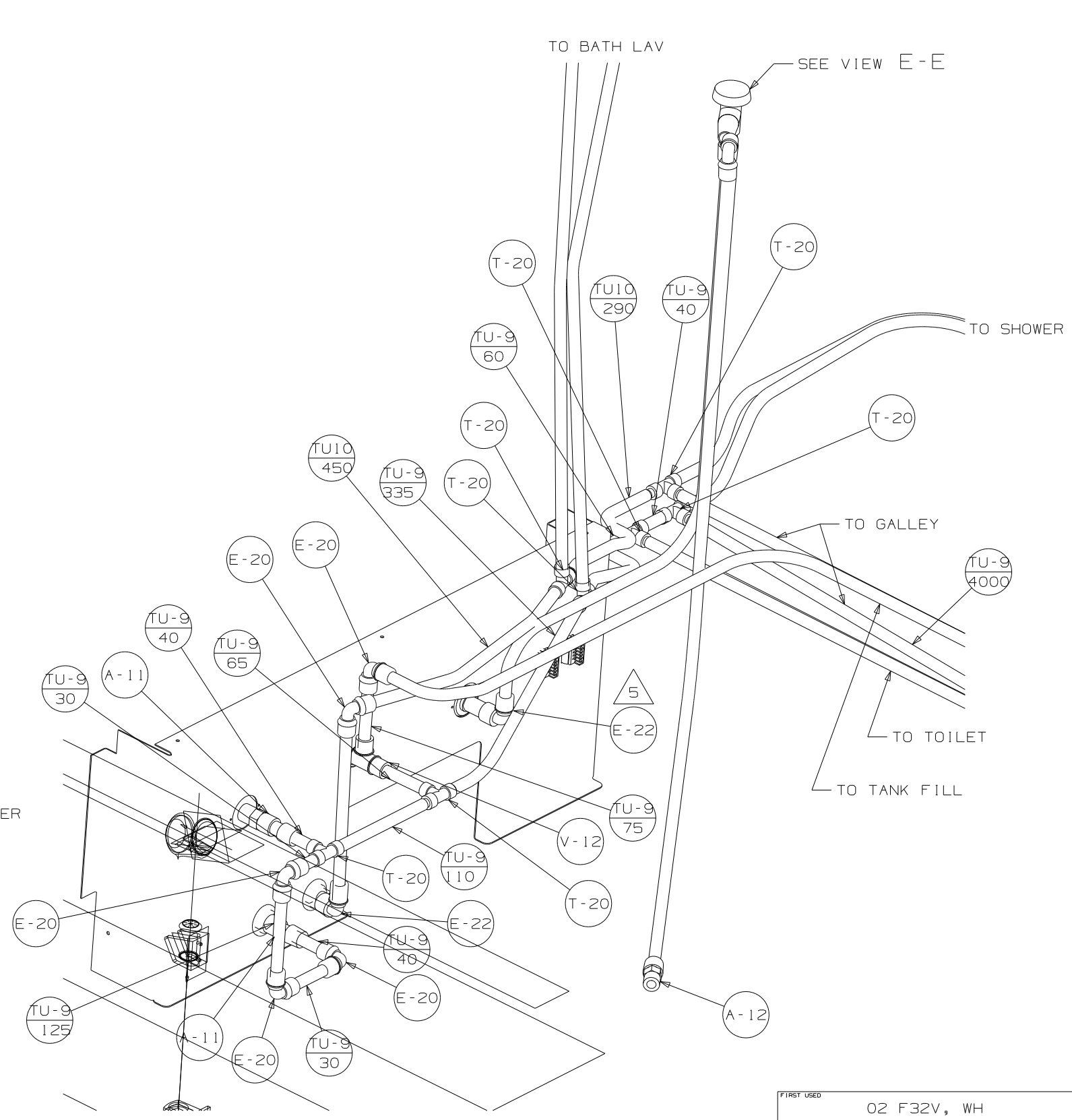
- NOTES:
7. ADD TEFLON TAPE 10405-03-000.
 6. ADD TEFLON TAPE 10405-01-000.
 5. ADD TEFLON TAPE 10405-02-000.
 4. FLUSHING SYSTEM REQUIRES 125697-06-000 INSTRUCTION SHEET.
 3. ALL TUBING TO BE SECURED AT 1200 INTERVALS MAXIMUM WITH CLAMP 10495-01-000 OR CLIP 9151-01-000 AND SCREW 667-10-12B.
 2. TUBING TO BE INSTALLED WITH SUFFICIENT SLOPE TO PROVIDE DRAINAGE TO NEAREST VALVE.
 1. PLASTIC FITTINGS TO BE SEALED WITH SEALANT 84456-01-000.

WINNEBAGO		COPYRIGHT 2002 WINNEBAGO INDUSTRIES, INC.	
DFTR	ORIG. DATE	ALL DIMENSIONS ARE IN MILLIMETERS	
CHKR		FIRST USED	
P.E.		02 F32V, WH	
M.E.		UNSPECIFIED TOLERANCES ARE:	
DSNR		MATERIAL:	
		WHOLE DIM (X)	: 7
		ONE-PLACE (X.X)	:
		TWO-PLACE (X.XX)	:
		ANGLE	:
THIRD ANGLE PROJECTION		DO NOT SCALE DRAWING	
TITLE: WATER SYSTEM INSTL			
SHEET 1 OF 4		PART NO 140084	
REF: 138430 1			

(X-X)
FOR
WATER
CALLOUTS
SEE DWG NO
116230-01-000

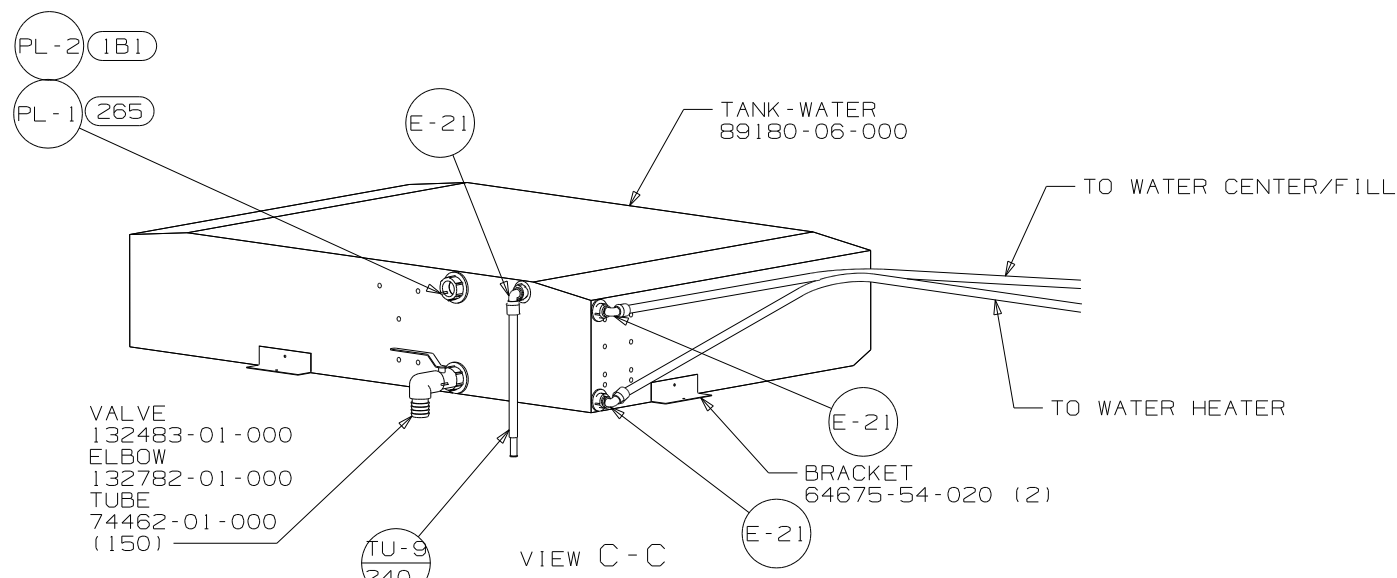


VIEW A-A (29B)

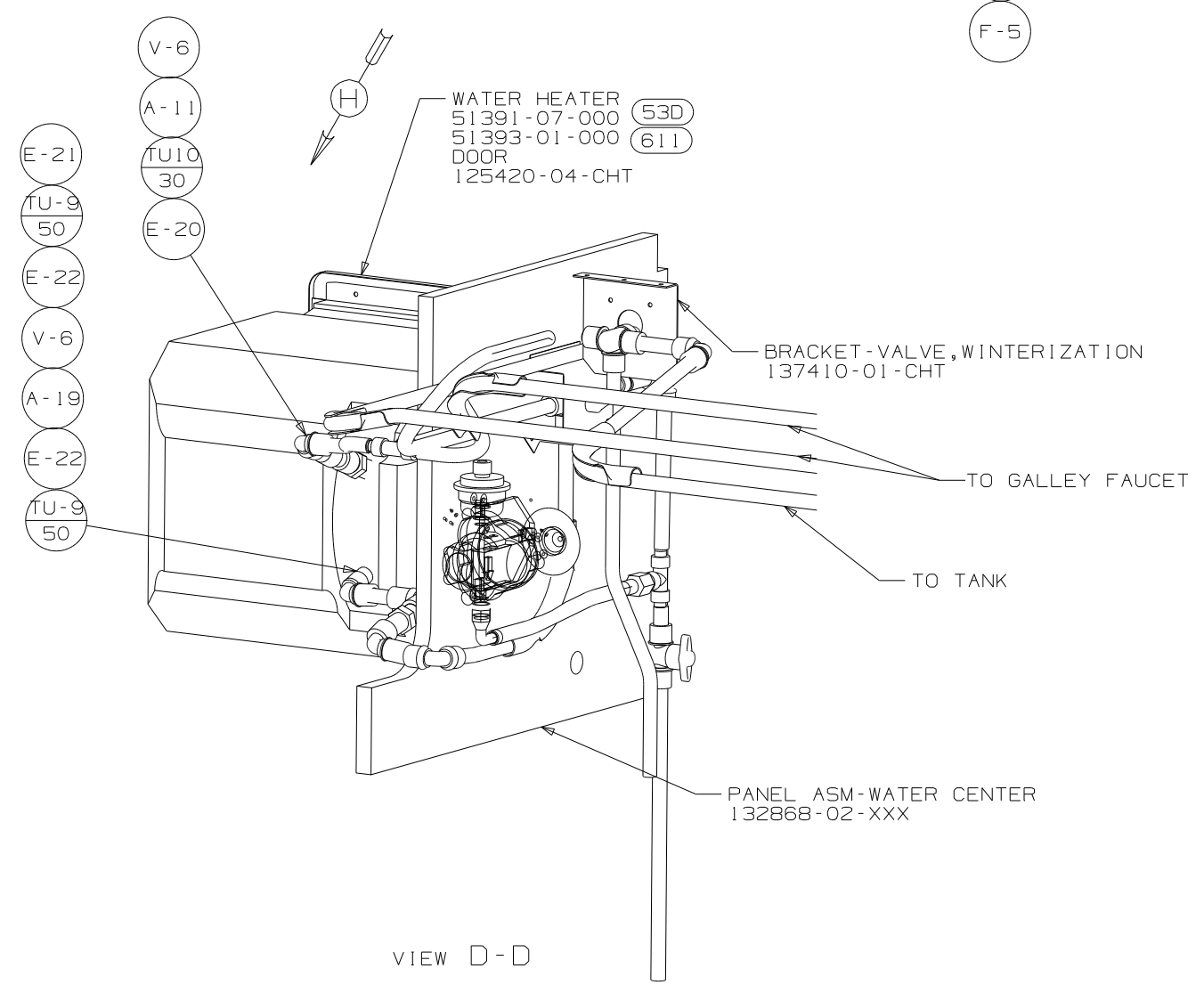


VIEW B-B

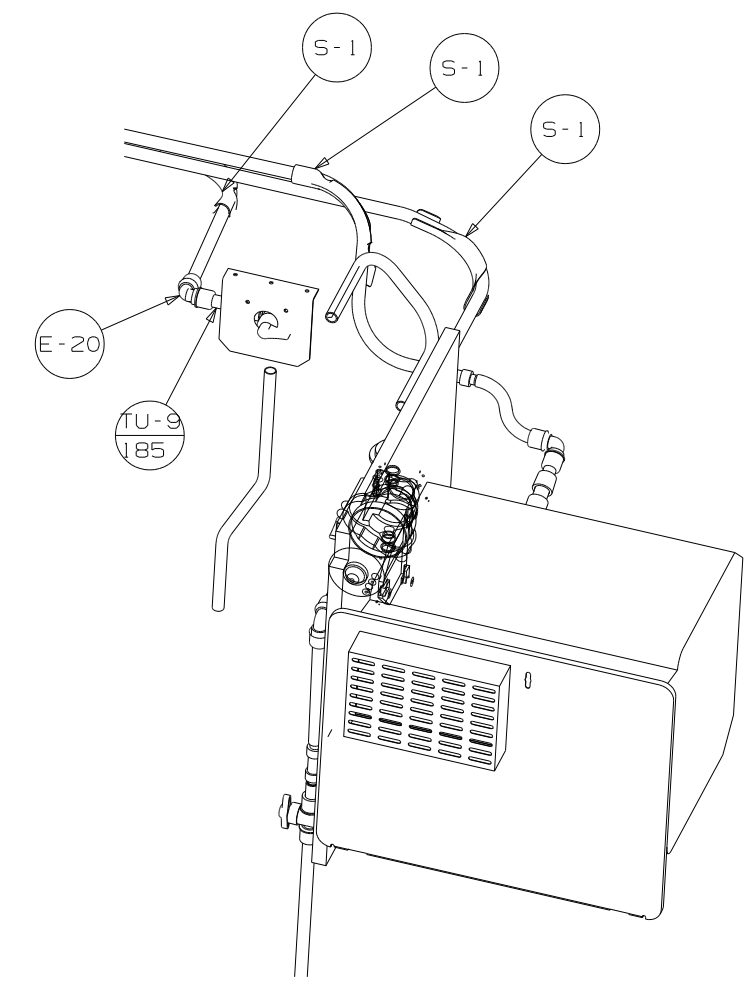
FIRST USED	02 F32V, WH
TITLE	DO NOT SCALE DRAWING
SHEET 2	PART NO 140084



VIEW C-C

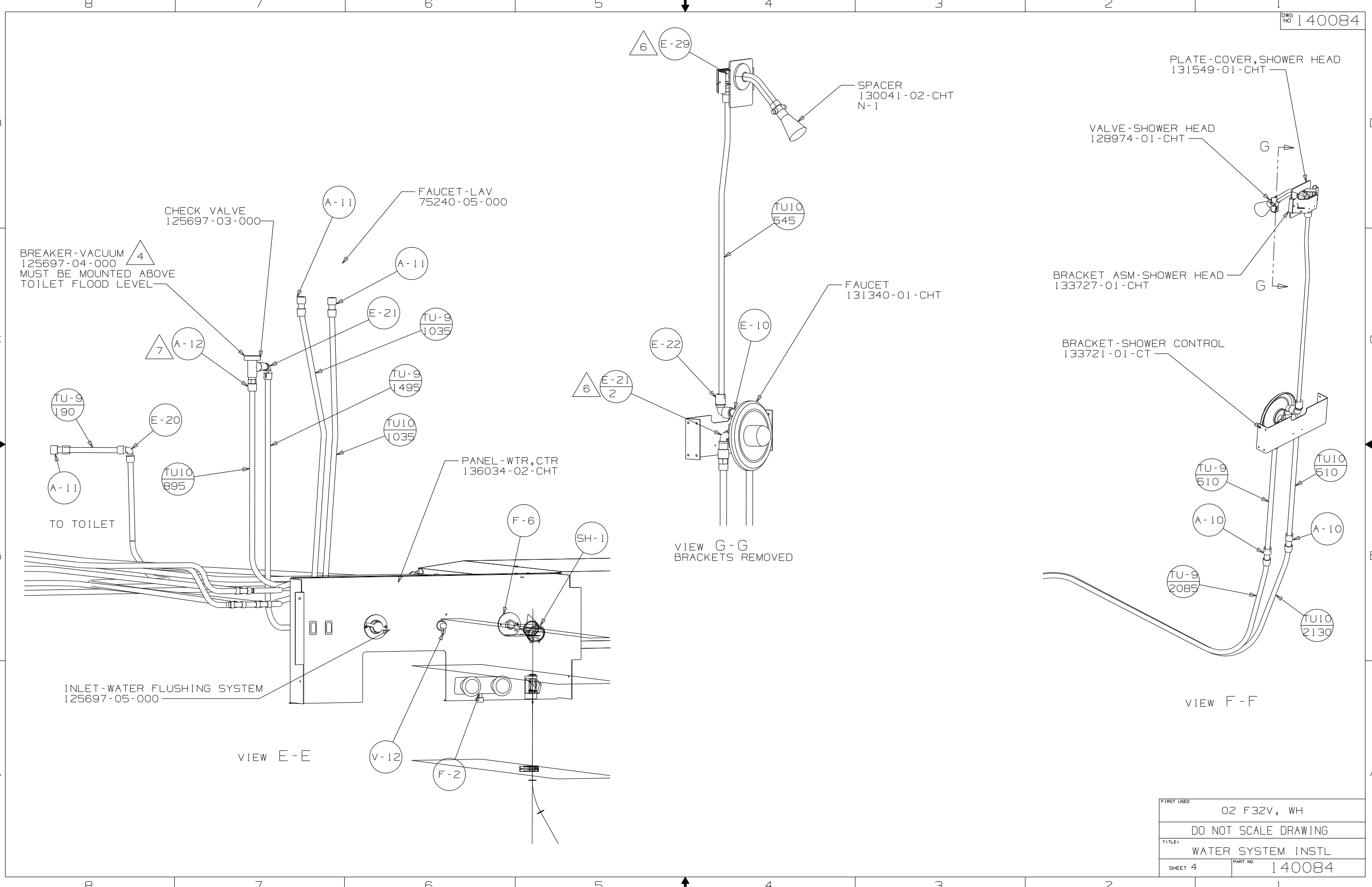


VIEW D-D



VIEW H

FIRST USED	02 F32V, WH
TITLE	DO NOT SCALE DRAWING
SHEET 3	PART NO 140084



FIRST USED	02 F32V, WH
TITLE	DO NOT SCALE DRAWING
	WATER SYSTEM INSTL
SHEET 4	PART NO 140084