

- ⑩ TRIM TO FIT.
9. SECURE PIPES TO CABINET USING WIRE TIE 108046-02-000 AND SCREW G67-10-12U (8).
 - ⑧ VENT PIPE MUST PROJECT 61 MIN TO 64 MAX ABOVE ROOF FOR PROPER FIT AND FUNCTION.
 7. SEE DWG 61607-01-000 FOR INSTL GROMMET.
 6. SEAL ALL AROUND SHOWER PAN.
 5. FOR CANADIAN UNITS EACH HOLDING TANK WHALL HAVE A CSA APPROVAL STAMPED NEAR THE IAPMO APPROVAL.
 4. ALL EXTERIOR OPENINGS AROUND PIPE TO BE SEALED WITH 110744-01-000.
 3. ALL PIPE AND FITTINGS TO BE ASSEMBLED WITH SOLVENT 4020-01-000.
 2. SLOPE OF TRAP MUST BE 6 PER 300 MINIMUM.
 1. SLOPE OF HORIZONTAL PIPING TO BE 6 PER 300 MINIMUM.

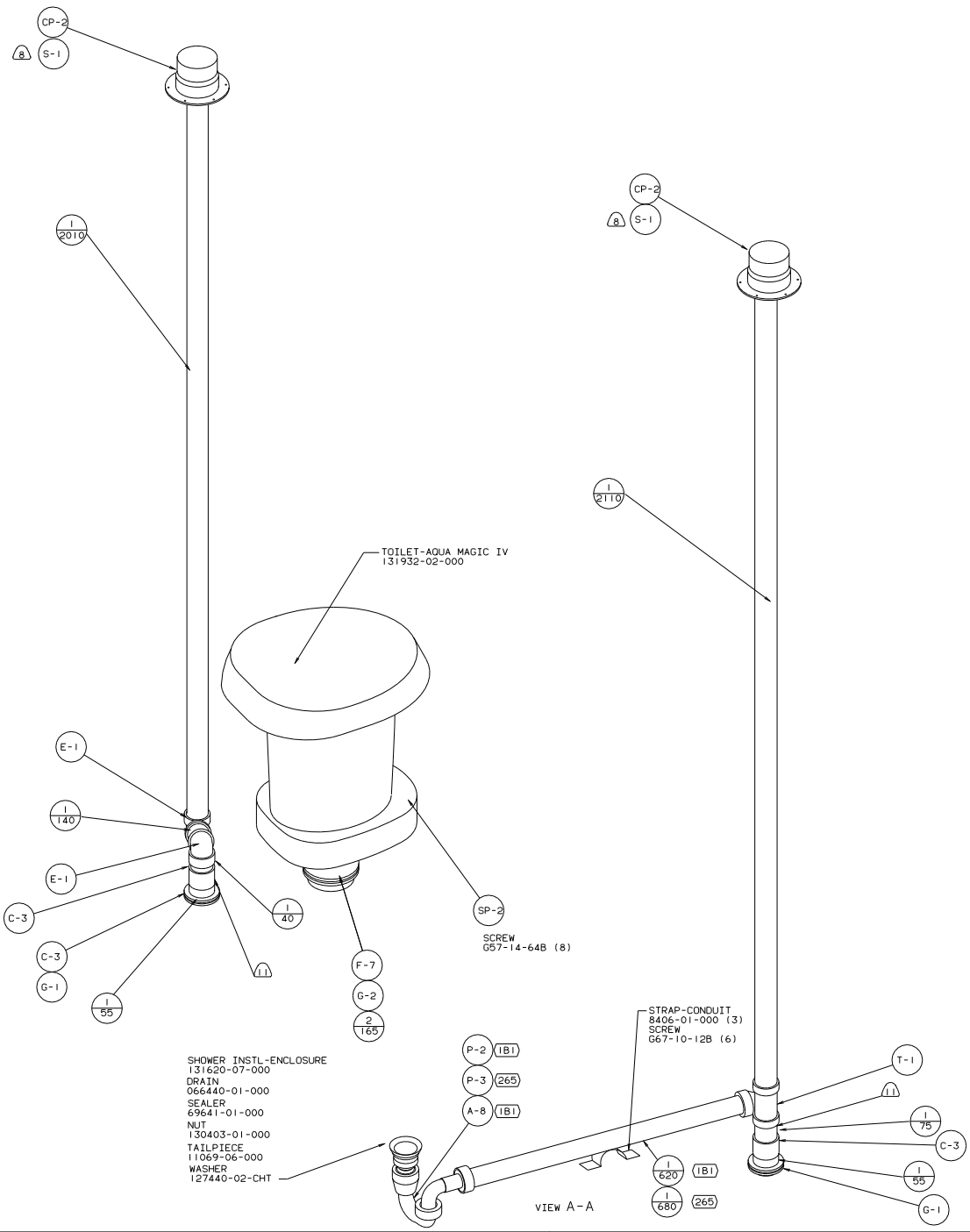
① SECURE VENT TO FLOOR WITH BRACKET 136878-01-CHT (11) CLAMP 62401-02-000 (4) SCREW G67-10-12B (11).

NOTES:

②⑤ CODES/STANDARDS-CSA/CMVSS
 ①① CODES/STANDARDS USA

COPYRIGHT 2002 WINN-DIXIE INDUSTRIES, INC.		02 F30W	
DATE	UNSPECIFIED TOLERANCES ARE:	MATERIAL:	
DATE	ANGLE DIM (1)	+	
DATE	ONE-PLACE (1, 2)	+	
DATE	TWO-PLACE (1, 2)	+	
DATE	ANGLE	+	
DATE	TRIPLE ANGLE	+	
DATE	PROJECTION	+	
LAND F 30W	TITLE:	DRAINAGE SYSTEM INSTL	
DWG NO 116229-01-000	SCALE:	1/4" = 1'-0"	
ALL DIMENSIONS ARE IN MILLIMETERS	SHEET	1 OF 4	
	DWG NO	137831	

FOR DRAINAGE CALLOUTS SEE DWG NO. 116229-01-000



TOILET-AQUA MAGIC IV
131932-02-000

SCREW
G57-14-64B (8)

STRAP-CONDUIT
8406-01-000 (3)
SCREW
667-10-12B (6)

SHOWER INSTL-ENCLOSURE
131620-07-000
DRAIN
066440-01-000
SEALER
69641-01-000
NUT
130403-01-000
TAILPIECE
11069-06-000
WASHER
127440-02-CHT

VIEW A-A

O2 F30W

TITLE: DRAINAGE SYSTEM INSTL	
30-MET SCALE DRAWING	FILE NO: 137831
SHEET 2 OF 4	DATE: 11/11/00

- SINK-SMC, DBL L/S BASIN
136828-02-CHT
- STRAINER
92303-01-000 (2)
- SEAL
91255-02-000 (A/R)
- WASHER-RUBBER
1274402-CHT (2)
- BRACKET
130451-07-CHT (6)
- SCREW
G67-06-10U(20)

- SINK
136639-01-CHT
- SCREW
G67-08-10U (6)
- SEAL (A/R)
- TAILPIECE
106116-01-CHT
- GASKET
106116-02-CHT

- STRAP
8406-01-000
- SCREW
G67-06-10U(2)

- ADAPTER-SWIVEL, 1/1/2 ACMXSOC
130685-01-000
- ADAPTER-SWIVEL, 1-1/2
130685-02-000

- STRAP
8406-01-000 (3)
- SCREW
G67-06-10U (6)

- P-2 (1B1)
- P-3 (265)
- A-8 (1B1)

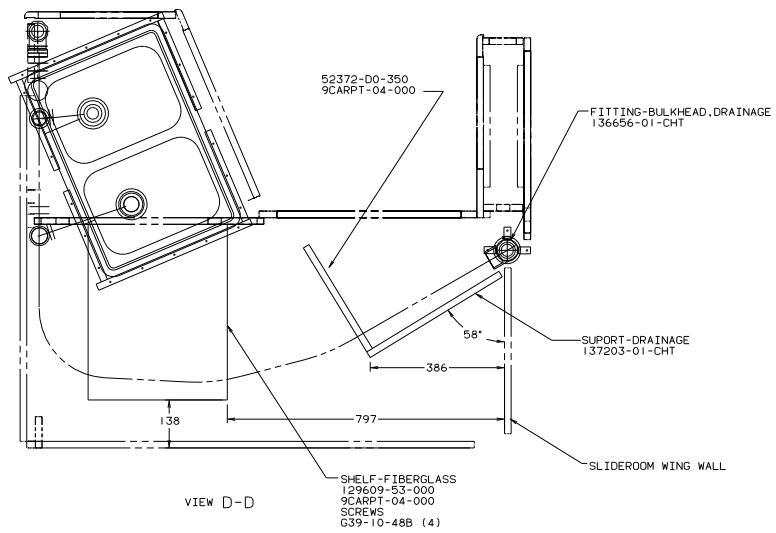
- PRIMER
126427-02-000
- CEMENT
126427-01-000

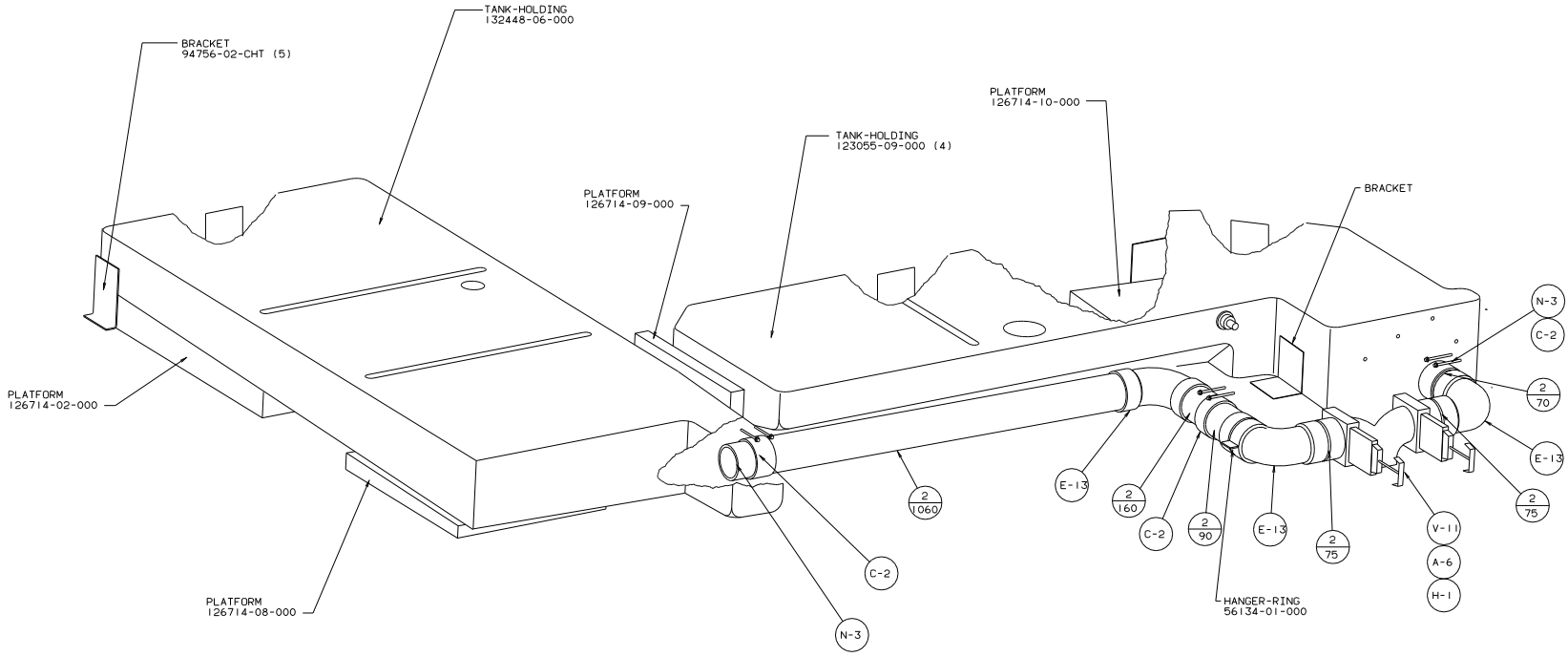
- ELBOW
136111-01-000

- P-2 (1B1)
- P-3 (265)
- A-8 (1B1)

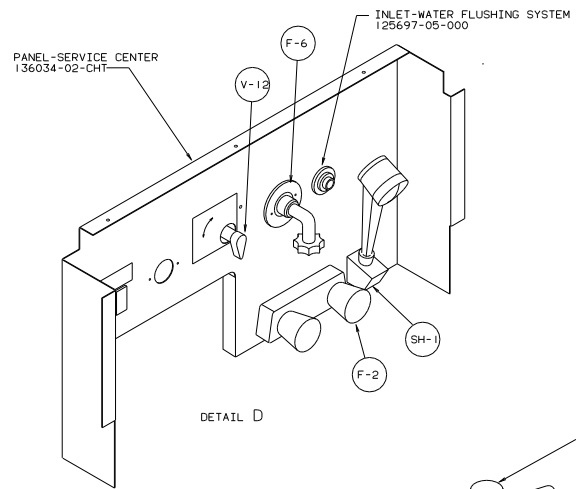
- ADAPTER-SWIVEL
130685-02-000
- BRACKET-PIPE, VENT
136878-01-CHT (8)
- SCREW
G39-10-24B (3)
- CLAMP-HOSE, WORMGEAR
62401-02-000

DETAIL B



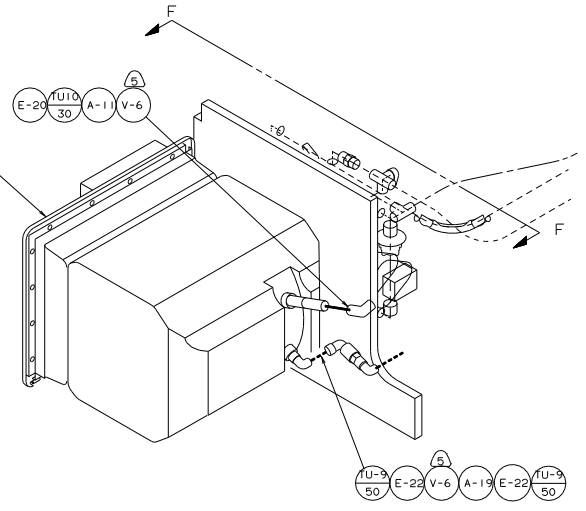


VIEW C-C



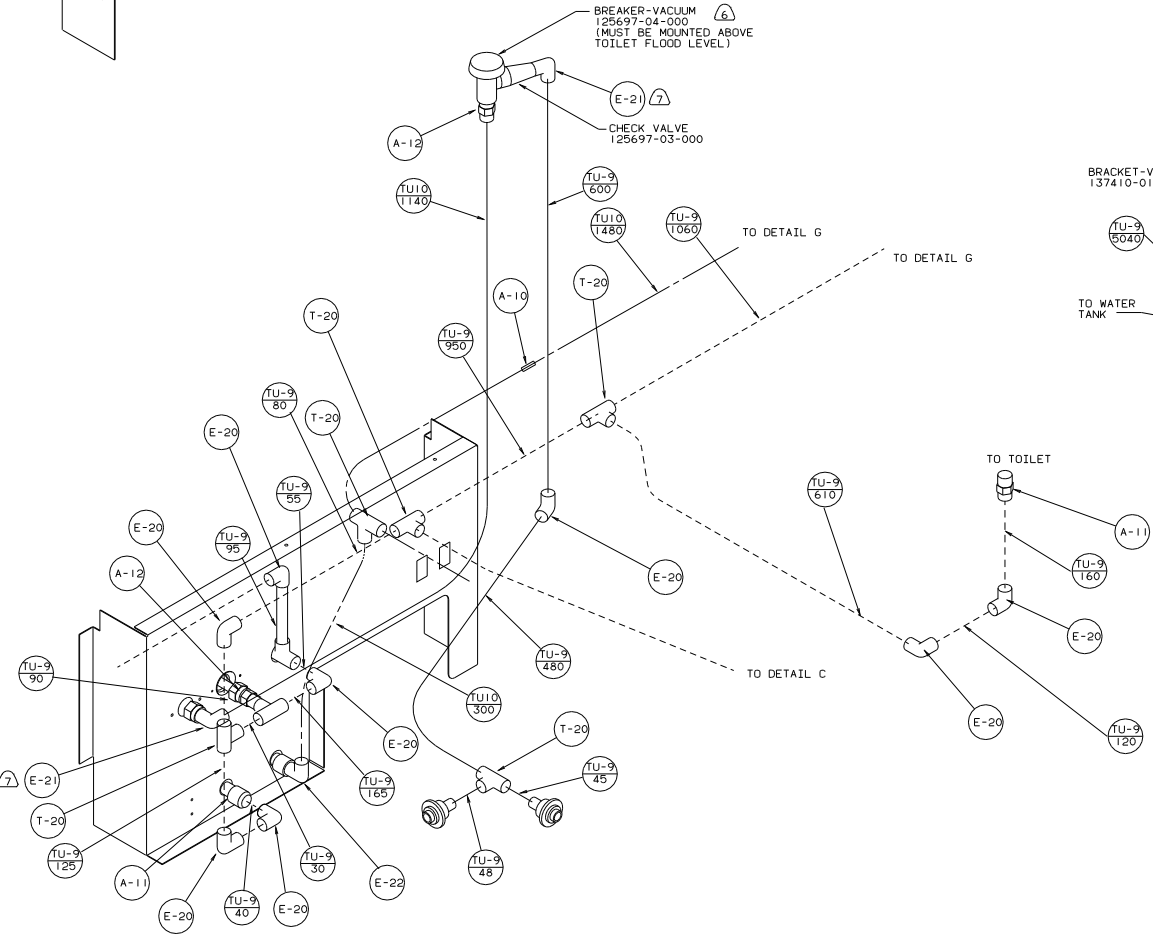
DETAIL D

WATER HEATER
611 51393-01-000
DOOR
125420-04-CHT
530 51391-07-000



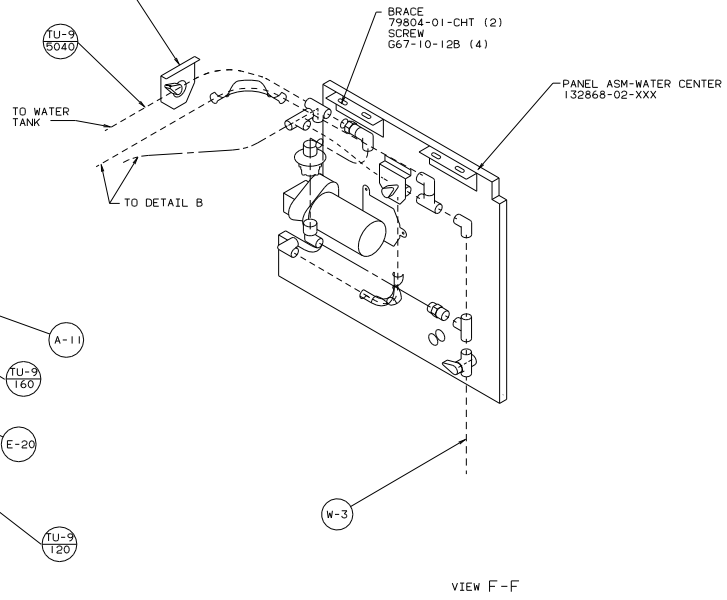
DETAIL A
SEE VIEW F-F FOR CALLOUTS

BREAKER-VACUUM 6
125697-04-000
(MUST BE MOUNTED ABOVE
TOILET FLOOD LEVEL)

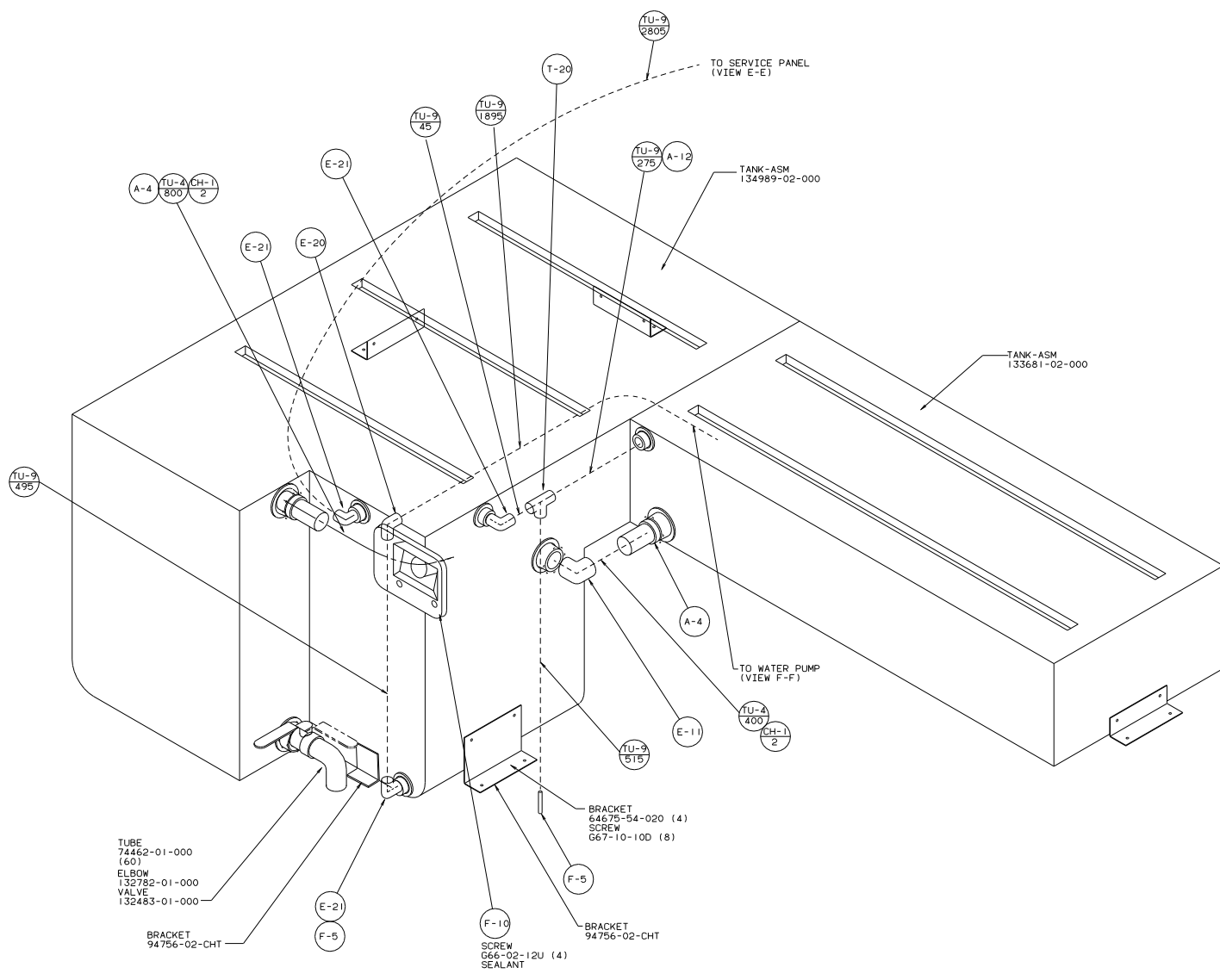


VIEW E-E

BRACKET-VALVE, WINTERIZATION
137410-01-CHT



VIEW F-F



DETAIL C