



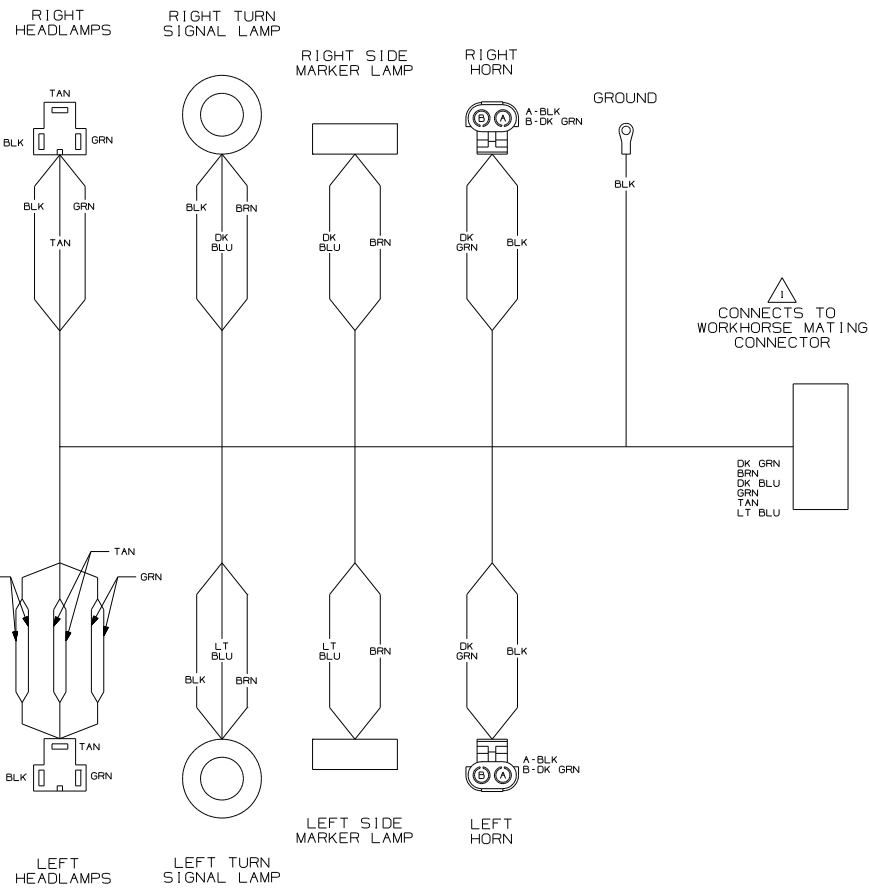
**DANGER**

**Danger of electrical shock, burns or death.** Always remove all power sources before attempting any repair, service or diagnostic work. Power can be present from shore power, generator, inverter or battery. All power sources must be disabled and secured before performing any service.



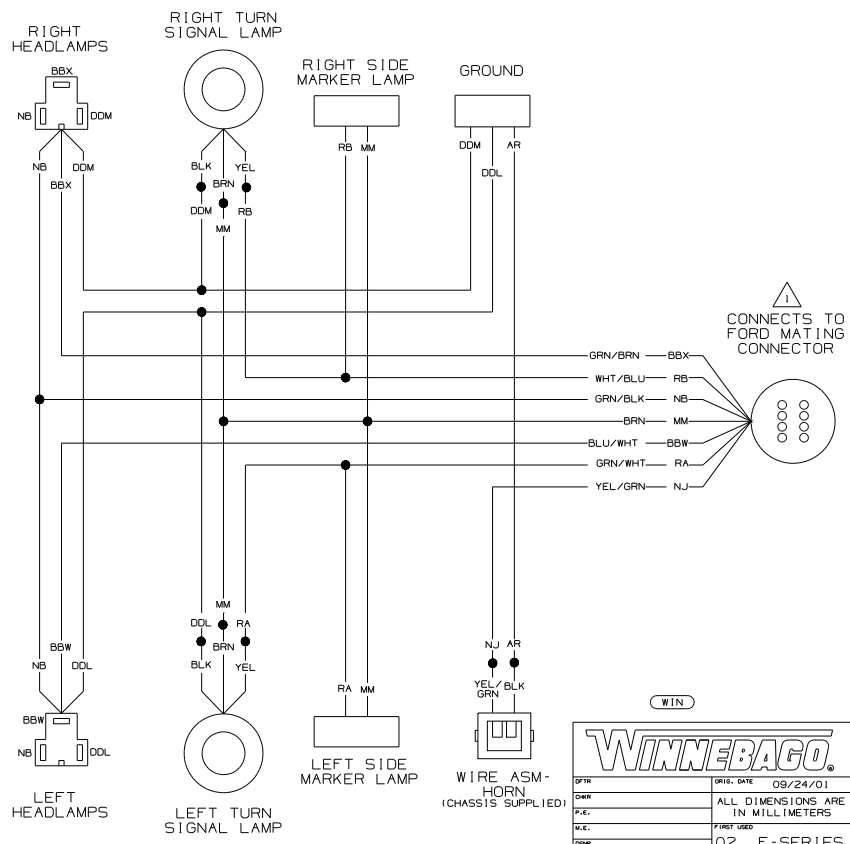
**CAUTION**

If you lack the skills, tools or equipment to perform diagnostic or repair work leave such work to an authorized Winnebago Industries dealer or other qualified shop.



WIRING DIAGRAM-HEADLAMP (WORKHORSE CHASSIS) (WIRE ASM-115928-10)

1. SEE MANUFACTURERS DIAGRAM FOR ADDITIONAL INFORMATION. NOTES:



WIRING DIAGRAM-HEADLAMP (FORD CHASSIS) (WIRE ASM-115928-111)

**WINNEBAGO**

DATE: 09/24/01

ALL DIMENSIONS ARE IN MILLIMETERS

02 F-SERIES

UNSPECIFIED TOLERANCES ARE:  
 INCHES DIM. .0005  
 ONE-PLACE .0015  
 TWO-PLACE .0030  
 HOLE .0015

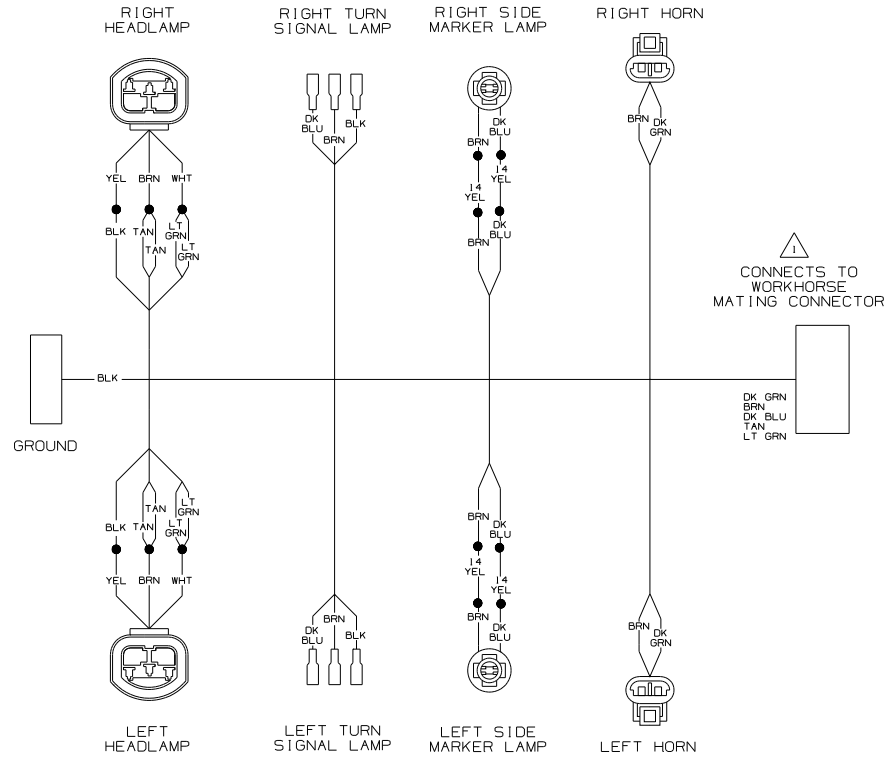
MATERIAL:

THIRD ANGLE PROJECTION

DO NOT SCALE DRAWING

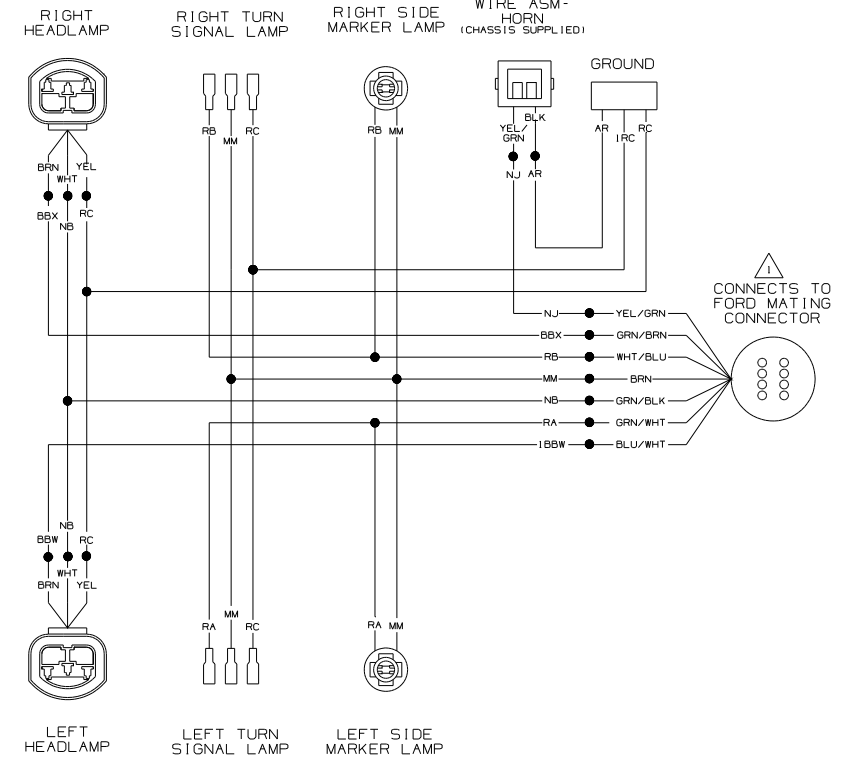
TITLE: WIRING DIAGRAM-AUTO LAMPS

SHEET 1 of 4 PART NO 138364



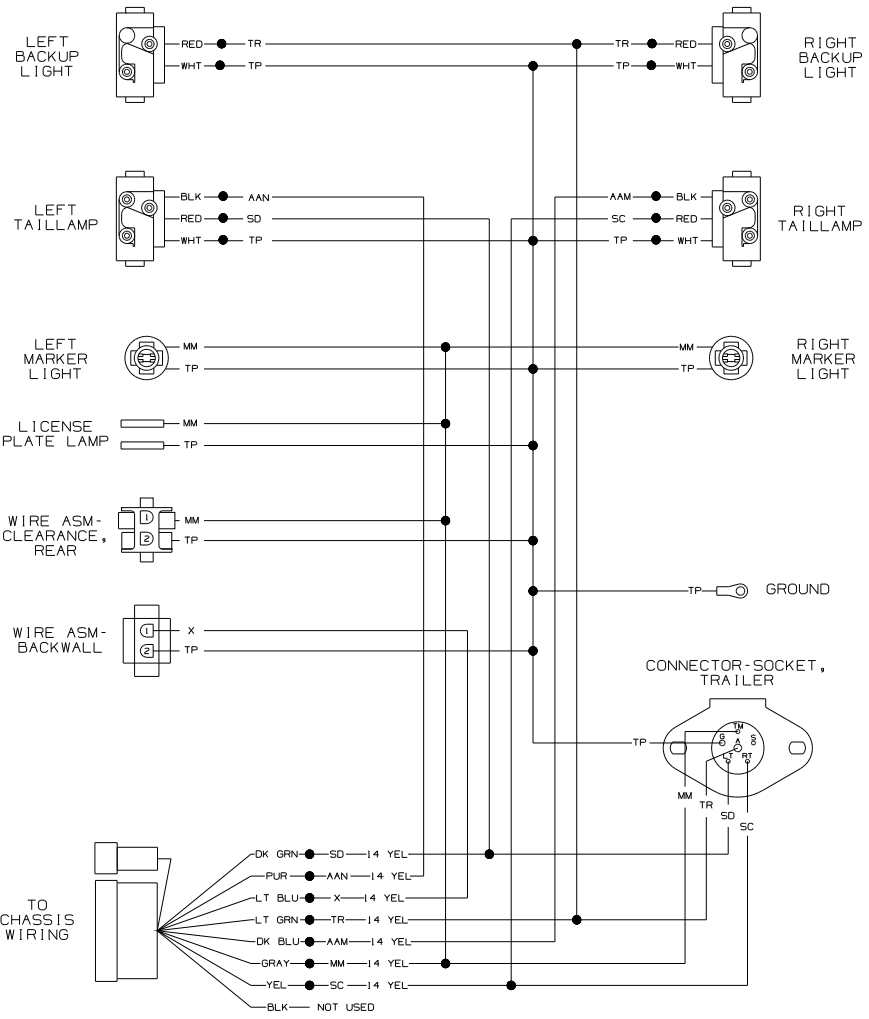
WIRING DIAGRAM-HEADLAMP  
(WORKHORSE CHASSIS)  
(WIRE ASM 126816-05)

NOTES:  
1. SEE MANUFACTURERS DIAGRAM FOR ADDITIONAL INFORMATION.



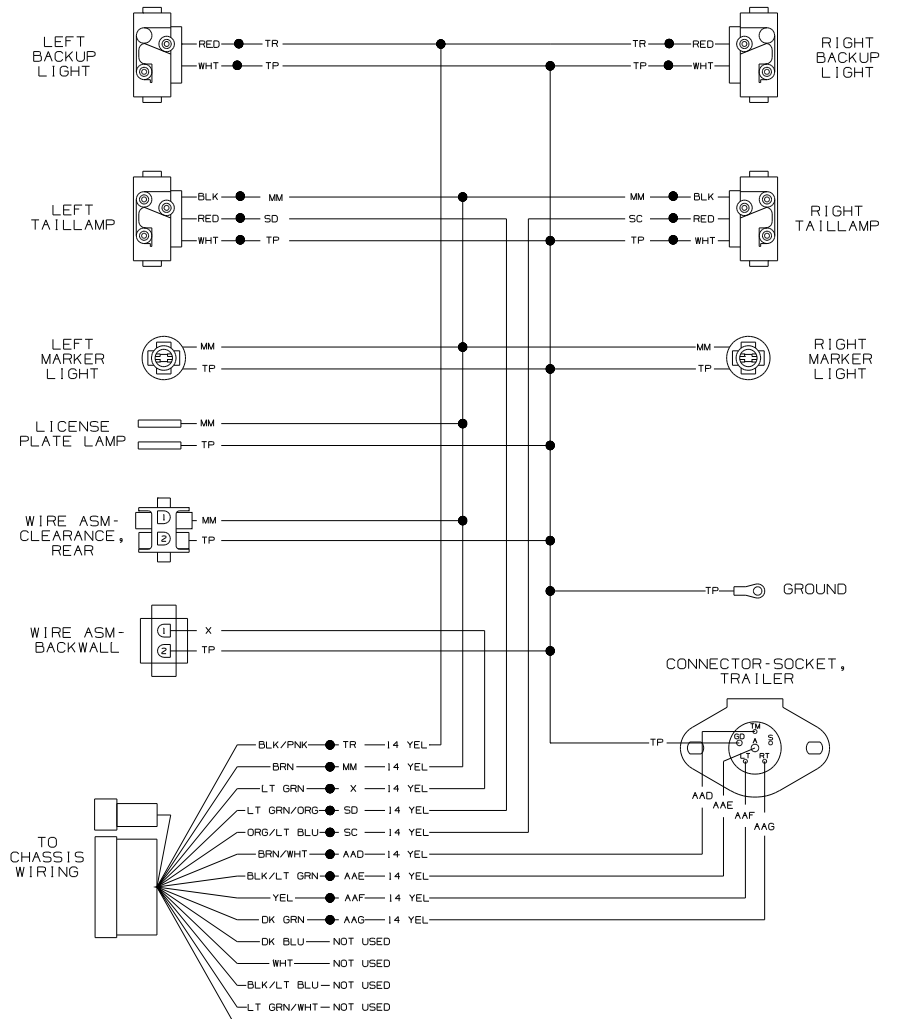
WIRING DIAGRAM-HEADLAMP  
(FORD CHASSIS)  
(WIRE ASM 126816-06)

(ITA)	
FIRST USED <b>02 F-SERIES</b>	
DO NOT SCALE DRAWING	
TITLE: <b>WIRING DIAGRAM-AUTO LAMPS</b>	
SHEET 2	PART NO <b>138364</b>



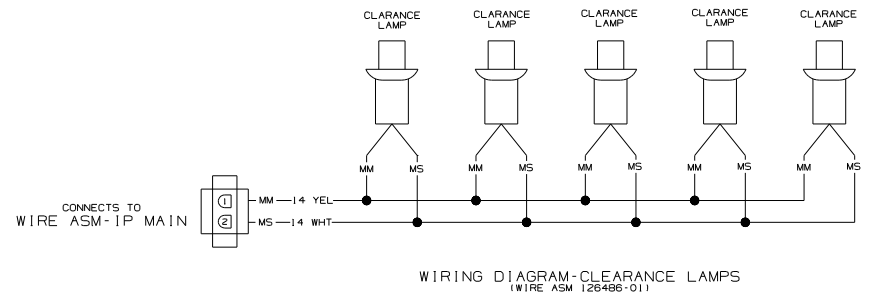
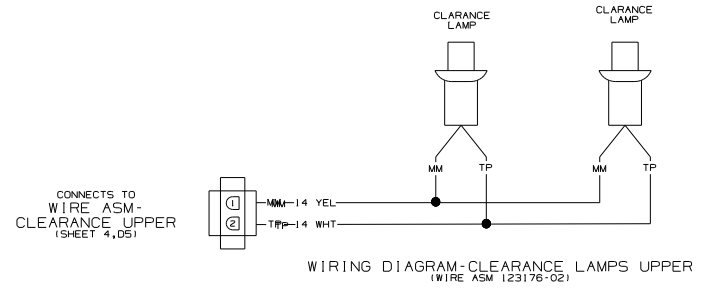
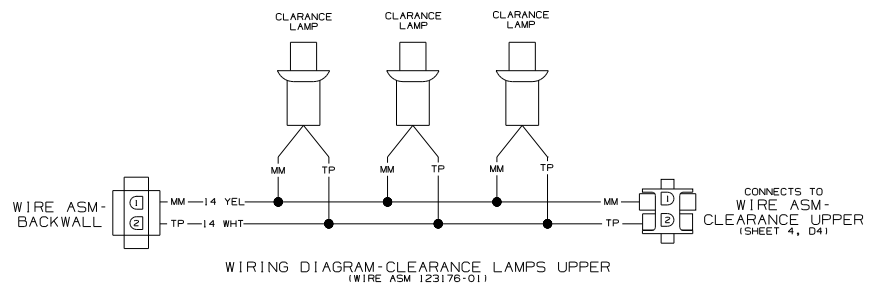
WIRING DIAGRAM-TAILLAMPS  
 (WORKHORSE CHASSIS)  
 (WIRE ASM-132730-07)

NOTES:  
 1 SEE MANUFACTURER'S DIAGRAM FOR ADDITIONAL INFORMATION.



WIRING DIAGRAM-TAIL LAMPS  
 (FORD CHASSIS)  
 (WIRE ASM 132730-06)

FIRST USED		02 F-SERIES	
DO NOT SCALE DRAWING			
TITLE: WIRING DIAGRAM-AUTO LAMPS			
SHEET 3	PART NO		138364



1. SEE MANUFACTURERS DIAGRAM FOR ADDITIONAL INFORMATION.

NOTES:  
NOTES:

FIRST USED		02 F-SERIES	
DO NOT SCALE DRAWING			
TITLE: WIRING DIAGRAM-AUTO LAMPS			
SHEET 4	PART NO	138364	