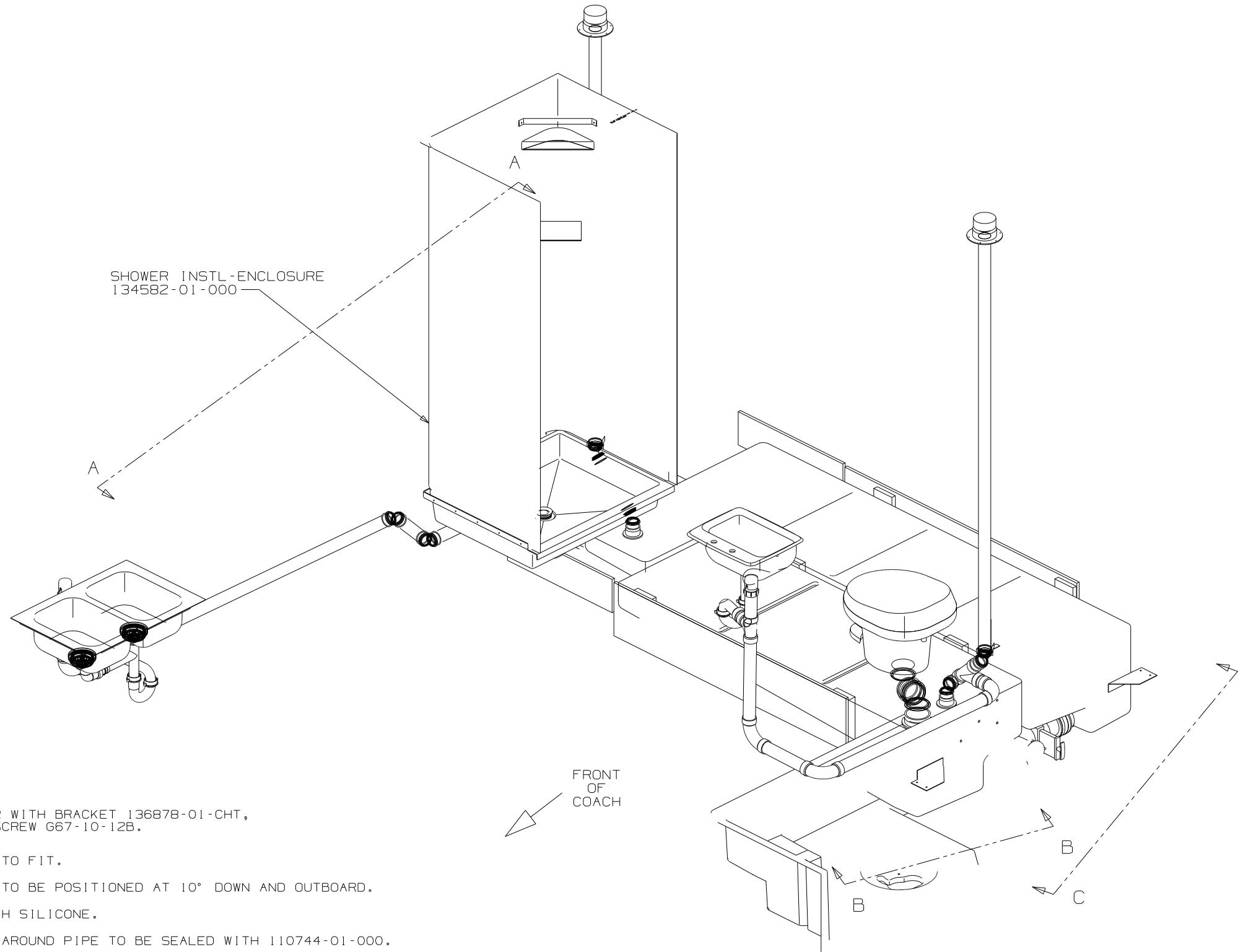


DWG NO	----
137846-01	RH SHOWN
137846-02	LH OPPOSITE

RELEASE	REV DATE	DWG NO	137846
REV ZONE	REVISION RECORD	DATE	DFTR-ORIG



9. SECURE VENTS TO FLOOR WITH BRACKET 136878-01-CHT, CLAMP 62401-02-000, SCREW G67-10-12B.
8. TRIM P-TRAP EXTENSION TO FIT.
7. VALVE TERMINATION TEE TO BE POSITIONED AT 10° DOWN AND OUTBOARD.
6. SEAL AROUND SHOWER WITH SILICONE.
5. ALL EXTERIOR OPENINGS AROUND PIPE TO BE SEALED WITH 110744-01-000.
4. ALL PIPE AND FITTING TO BE ASSEMBLED WITH SOLVENT 4020-01-000.
3. SLOPE OF TRAP ARM MUST BE 6 PER 305 mm.
2. SLOPE OF HORIZONTAL PIPING TO BE 6 PER 305 mm.
1. VENT PIPE MUST PROJECT 51 MIN AND 64 MAX ABOVE ROOF FOR PROPER FIT.

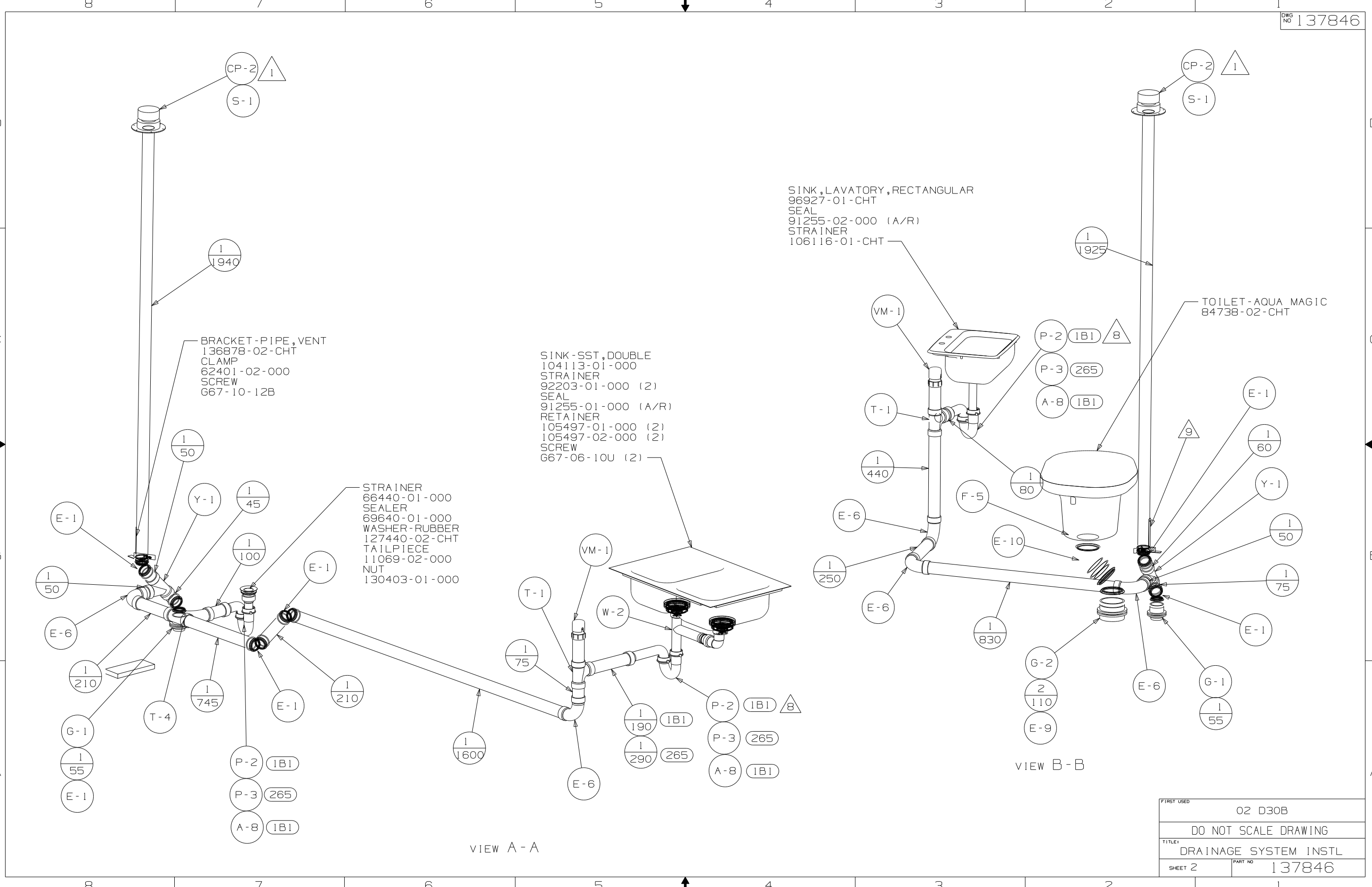
NOTES:

(265) CODES/STDS-CSA/CMVSS  
 (1B1) CODES/STANDARDS-USA

<b>WINNEBAGO</b>		COPYRIGHT 2002 WINNEBAGO INDUSTRIES, INC.	
DFTR	ORIG. DATE	ALL DIMENSIONS ARE IN MILLIMETERS	
CHKR			
P.E.			
M.E.	FIRST USED		
DSNR	02 D30B		
UNSPECIFIED TOLERANCES ARE:		MATERIAL:	
WHOLE DIM (X)	:		
ONE-PLACE (X.X)	:		
TWO-PLACE (X.XX)	:		
ANGLE	:		
THIRD ANGLE PROJECTION			
DO NOT SCALE DRAWING			
TITLE: DRAINAGE SYSTEM INSTL			
SHEET 1 OF 3	PART NO	137846	
REF: 137792 1			

FOR  
DRAINAGE  
CALLOUTS  
SEE DWG NO  
116229-01-000





SINK, LAVATORY, RECTANGULAR  
 96927-01-CHT  
 SEAL  
 91255-02-000 (A/R)  
 STRAINER  
 106116-01-CHT

SINK-SST, DOUBLE  
 104113-01-000  
 STRAINER  
 92203-01-000 (2)  
 SEAL  
 91255-01-000 (A/R)  
 RETAINER  
 105497-01-000 (2)  
 105497-02-000 (2)  
 SCREW  
 667-06-10U (2)

BRACKET-PIPE, VENT  
 136878-02-CHT  
 CLAMP  
 62401-02-000  
 SCREW  
 667-10-12B

STRAINER  
 66440-01-000  
 SEALER  
 69640-01-000  
 WASHER-RUBBER  
 127440-02-CHT  
 TAILPIECE  
 11069-02-000  
 NUT  
 130403-01-000

TOILET-AQUA MAGIC  
 84738-02-CHT

VIEW A-A

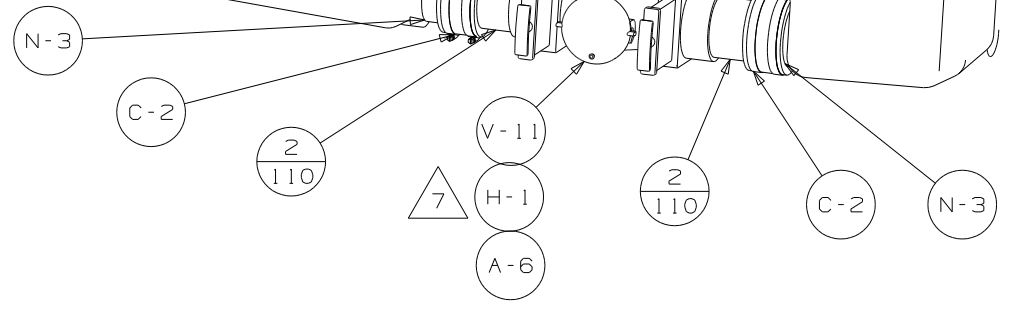
VIEW B-B

FIRST USED	02 D30B
DO NOT SCALE DRAWING	
TITLE	DRAINAGE SYSTEM INSTL
SHEET 2	PART NO 137846

TANK - HOLDING  
133436-02-000

BRACKET - TIE DOWN  
139004-01-000 (2)  
SCREW  
G39-08-16B (4)

TANK - HOLDING  
133437-02-000



VIEW C-C

φ VEHICLE

1224

697

236

DATUM  
CORNER OF FLOOR

4715

φ FRONT AXLE

FOAM-SUPPORT  
120050-45-000 (2)  
(150 X 578)

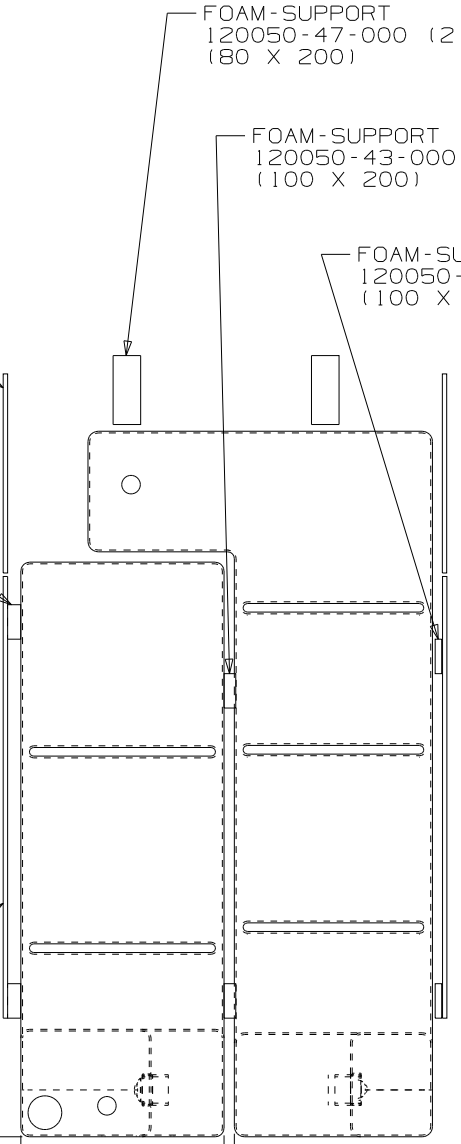
FOAM-SUPPORT  
120050-44-000 (2)  
(100 X 200)

FOAM-SUPPORT  
120050-46-000 (2)  
(240 X 1282)

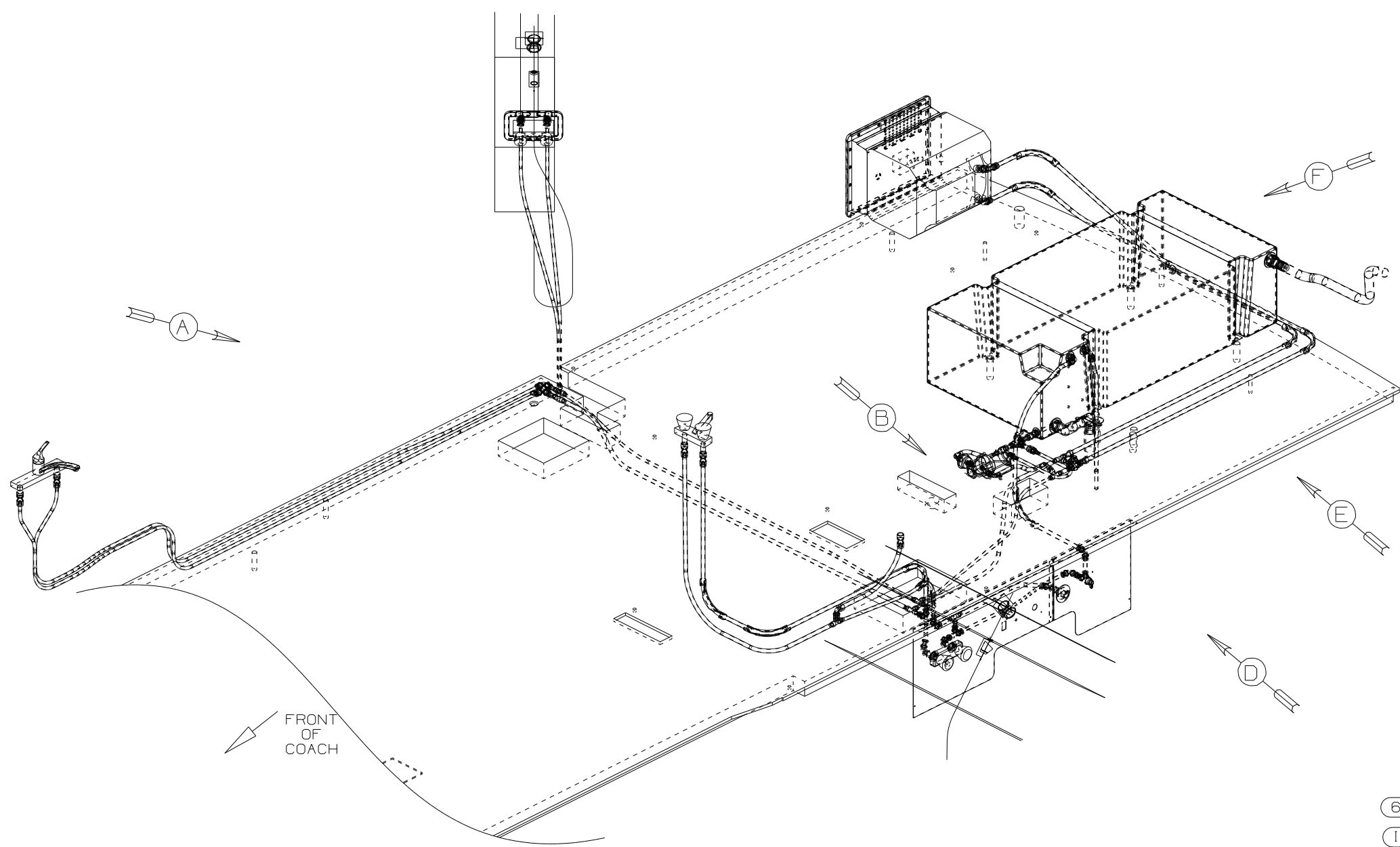
FOAM-SUPPORT  
120050-47-000 (2)  
(80 X 200)

FOAM-SUPPORT  
120050-43-000 (2)  
(100 X 200)

FOAM-SUPPORT  
120050-42-000 (2)  
(100 X 200)



FIRST USED	02 D30B
TITLE	DO NOT SCALE DRAWING
SHEET 3	PART NO 137846



- (611) MOTORAID & AUX. HEATER
- (1JR) W/O EXTERIOR WASH STATION
- (64R) EXTERIOR WASH STATION

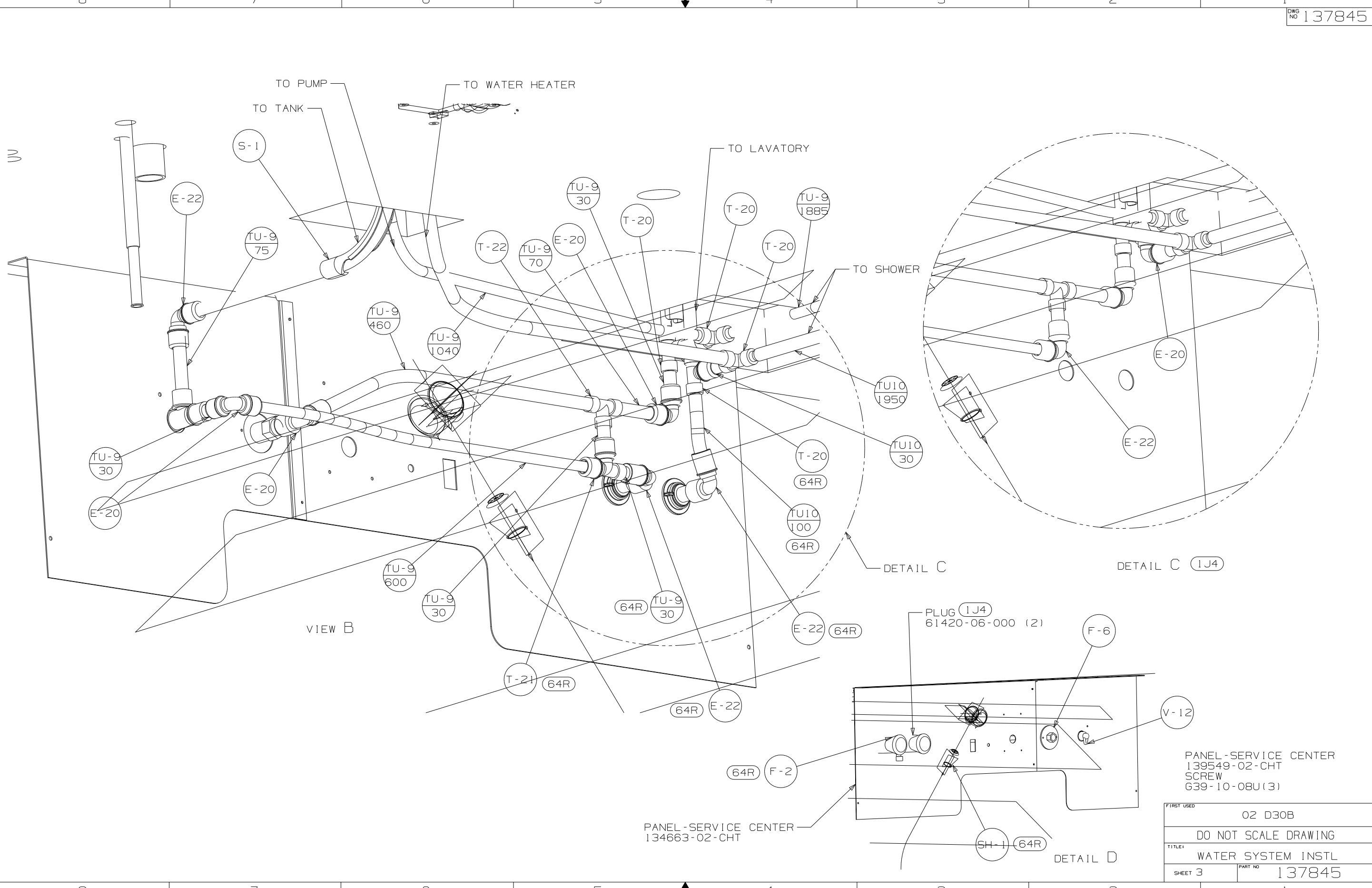
- 9 LABEL THE HOT AND COLD SUPPLY TUBES.
  - 8 TAPE FITTING TO TUBE BEFORE SETTING CABINET TO PREVENT FITTING FROM MOVING.
  - 7 ADD TEFLON TAPE 10405-01-000 TO FITTING.
  - 6 ADD TEFLON TAPE 10405-03-000 TO FITTING.
  - 5 ADD TEFLON TAPE 10405-02-000 TO FITTING.
  - 4 CLAMPS MUST BE ON BARBS.
3. ALL TUBING TO BE SECURED AT 1200 INTERVALS MAXIMUM WITH CLAMP 10495-01-000 OR CLIP 9151-01-000 AND SCREW G67-10-12B.
  2. TUBING TO BE INSTALLED WITH SUFFICIENT SLOPE TO PROVIDE DRAINAGE TO NEAREST VALVE.
  1. PLASTIC FITTINGS TO BE SEALED WITH SEALANT 84456-01-000.

NOTES:

<b>WINNEBAGO</b>		COPYRIGHT 2002 WINNEBAGO INDUSTRIES, INC.	
DFTR	ORIG. DATE	ALL DIMENSIONS ARE IN MILLIMETERS	
CHKR		FIRST USED	
P.E.		02 D30B	
M.E.		UNSPECIFIED TOLERANCES ARE:	
DSNR		MATERIAL:	
		WHOLE DIM (X) :	3
		ONE-PLACE (X.X) :	
		TWO-PLACE (X.XX) :	
		ANGLE :	
THIRD ANGLE PROJECTION		DO NOT SCALE DRAWING	
TITLE: WATER SYSTEM INSTL			
SHEET 1 OF 4		PART NO 137845	

(X-X)  
FOR  
WATER  
CALLOUTS  
SEE DWG NO  
116230-01-000

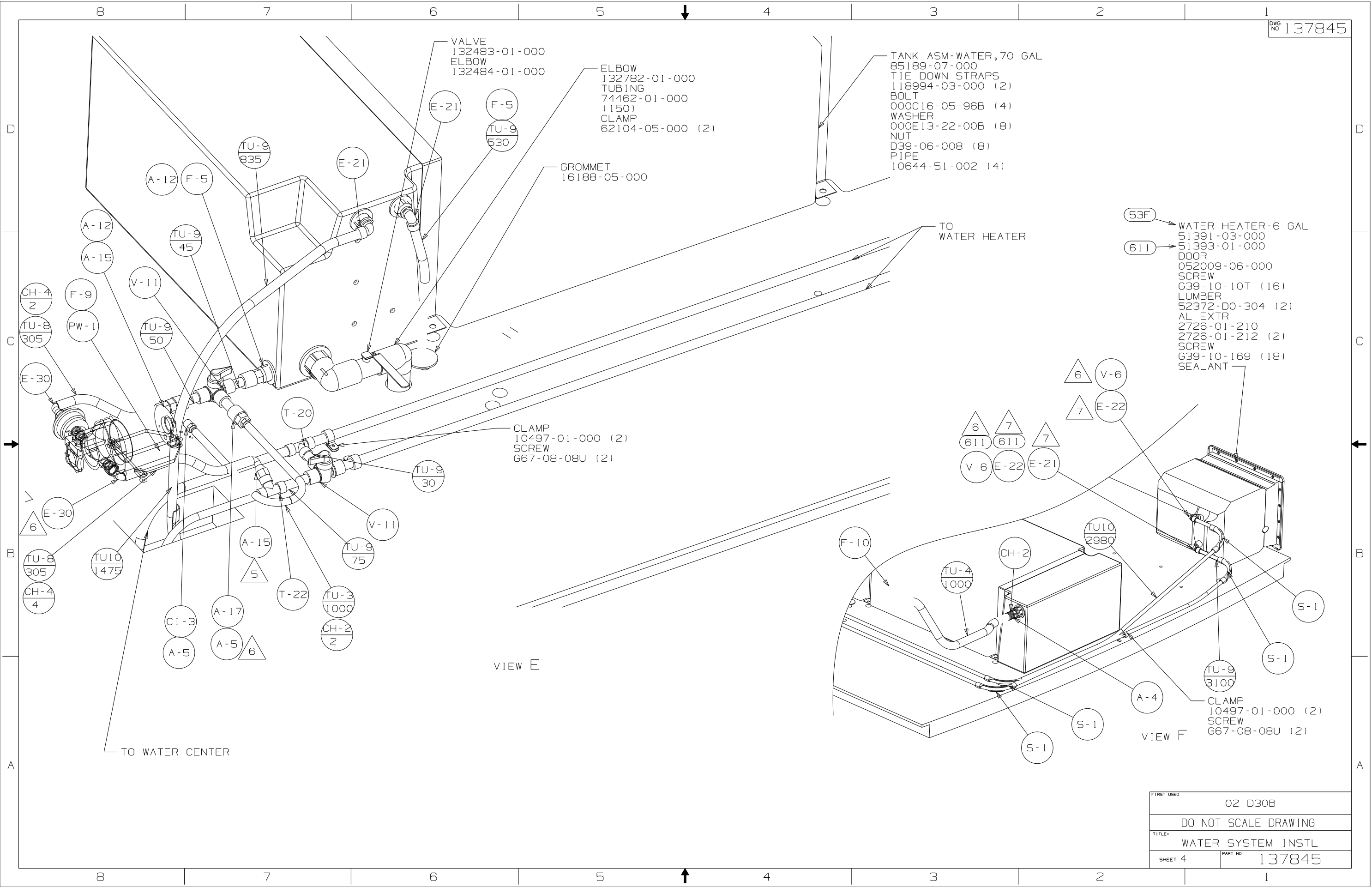




PANEL-SERVICE CENTER  
134663-02-CHT

PANEL-SERVICE CENTER  
139549-02-CHT  
SCREW  
G39-10-08U(3)

FIRST USED	02 D30B
TITLE	DO NOT SCALE DRAWING
SHEET 3	PART NO 137845



FIRST USED	02 D30B
DO NOT SCALE DRAWING	
TITLE	WATER SYSTEM INSTL
SHEET 4	PART NO 137845