



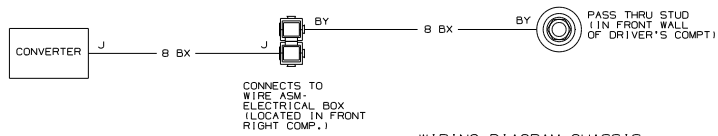
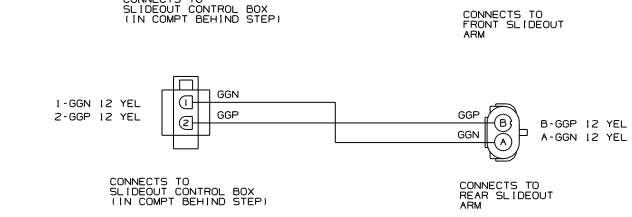
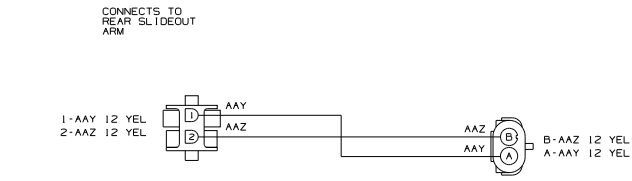
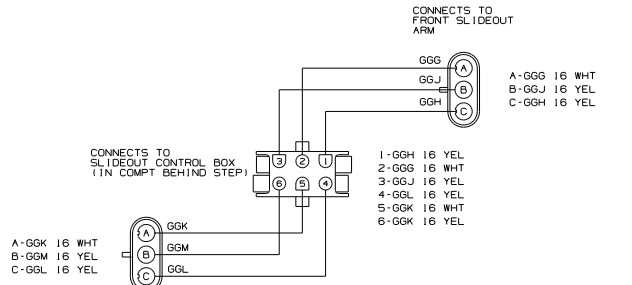
**DANGER**

**Danger of electrical shock, burns or death.** Always remove all power sources before attempting any repair, service or diagnostic work. Power can be present from shore power, generator, inverter or battery. All power sources must be disabled and secured before performing any service.

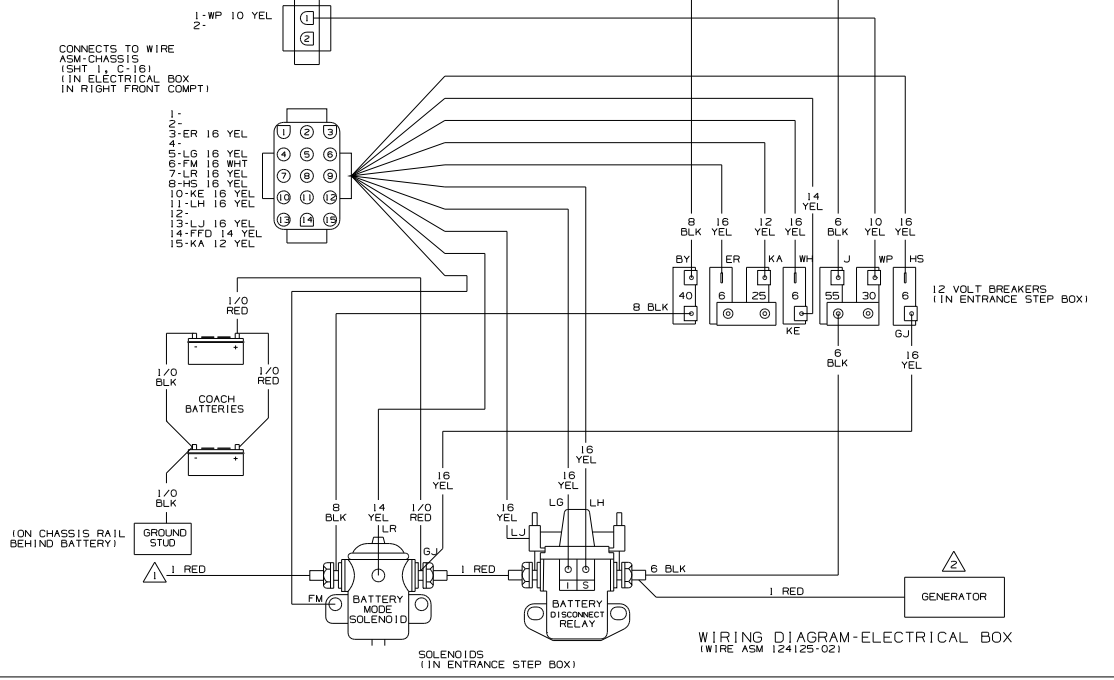


**CAUTION**

If you lack the skills, tools or equipment to perform diagnostic or repair work leave such work to an authorized Winnebago Industries dealer or other qualified shop.



WIRING DIAGRAM-CHASSIS (WIRE ASM 137897)



**WINNEBAGO**

DATE 06/30/99  
 ALL DIMENSIONS ARE IN MILLIMETERS  
 FIRST USED 01 D27C  
 UNSPECIFIED TOLERANCES ARE:  
 UNLESS OTHERWISE SPECIFIED:  
 ONE-PLACE (18.00) ± .1  
 TWO-PLACE (18.00) ± .1  
 ANGLE ± .1  
 THIRD ANGLE PROJECTION

DO NOT SCALE DRAWING

TITLE: WIRING DIAGRAM-BODY, 12V  
 SHEET 1 OF 4 PART NO 137859

- 1-LB 16 WX
- 2-KX 16 YX
- 3-LA 16 YX
- 4-LC 16 WX
- 5-ER 16 YX
- 6-ES 16 YX
- 7-JT 16 YX
- 8-LN 16 WX
- 9-LM 16 WX
- 10-LL 16 WX
- 11-LP 16 YX
- 12-DY 16 WX
- 13-
- 14-KS 14 YEL
- 15-KU 14 YEL

CONNECTS TO WIRE ASM-COACH (SHEET 2, D-4) (LOCATED BELOW GALLEY)

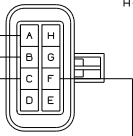
- A-LN 16 WHT
- B-LM 16 WHT
- C-LL 16 WHT
- D-
- E-
- F-LL 16 WHT
- G-
- H-

CONNECTS TO ELECTRIC STEP

- RED-KA 10 YEL
- WHT-ES 16 YEL
- BRN-KD 18 WHT
- YEL-WH 14 YEL

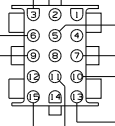


CONNECTS TO GENERATOR



- 1-
- 2-
- 3-ER 16 YEL
- 4-
- 5-LG 16 YEL
- 6-FM 14 WHT
- 7-LR 14 YEL
- 8-
- 9-WH 14 YEL
- 10-KE 14 YEL
- 11-LH 16 YEL
- 12-
- 13-LJ 16 YEL
- 14-
- 15-KA 10 YEL

CONNECTS TO WIRE ASM-ELECTRICAL BOX (LOCATED IN FRONT RIGHT COMPT)



CONNECTS TO BATTERY DISCONNECT (LOCATED IN BASE OF REFRIG. CABT.)



- 1-KF 16 WHT
- 2-LH 16 YEL
- 3-LJ 16 YEL
- 4-LJ 16 YEL
- 5-LG 16 YEL
- 6-KF 16 WHT
- 7-
- 8-

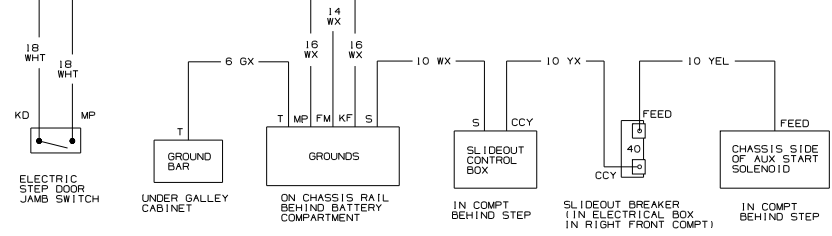
- 1-KE 14 YEL
- 2-LR 14 YEL
- 3-WP 10 YEL
- 4-LB 16 WHT
- 5-KX 16 YEL
- 6-LA 16 YEL
- 7-LC 16 WHT
- 8-
- 9-DY 16 WHT
- 10-KS 14 YEL
- 11-KU 14 YEL
- 12-

- 1-WP 10 YEL
- 2-

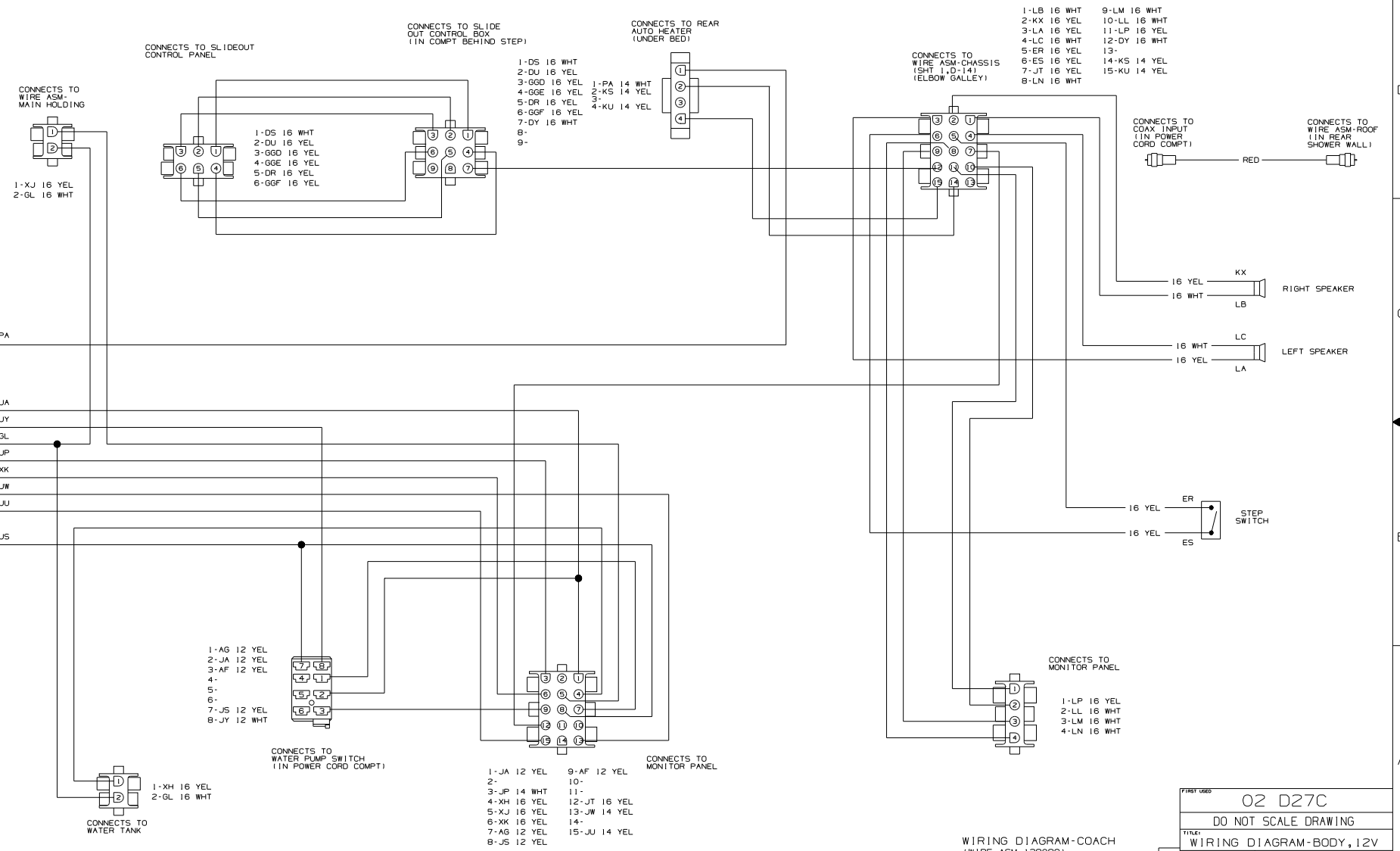
CONNECTS TO WIRE ASM-IP, MAIN (THRU FLOOR LEFT OF DRIVER)



CONNECTS TO WIRE ASM-ELECTRICAL BOX (LOCATED IN FRONT RIGHT COMPT)

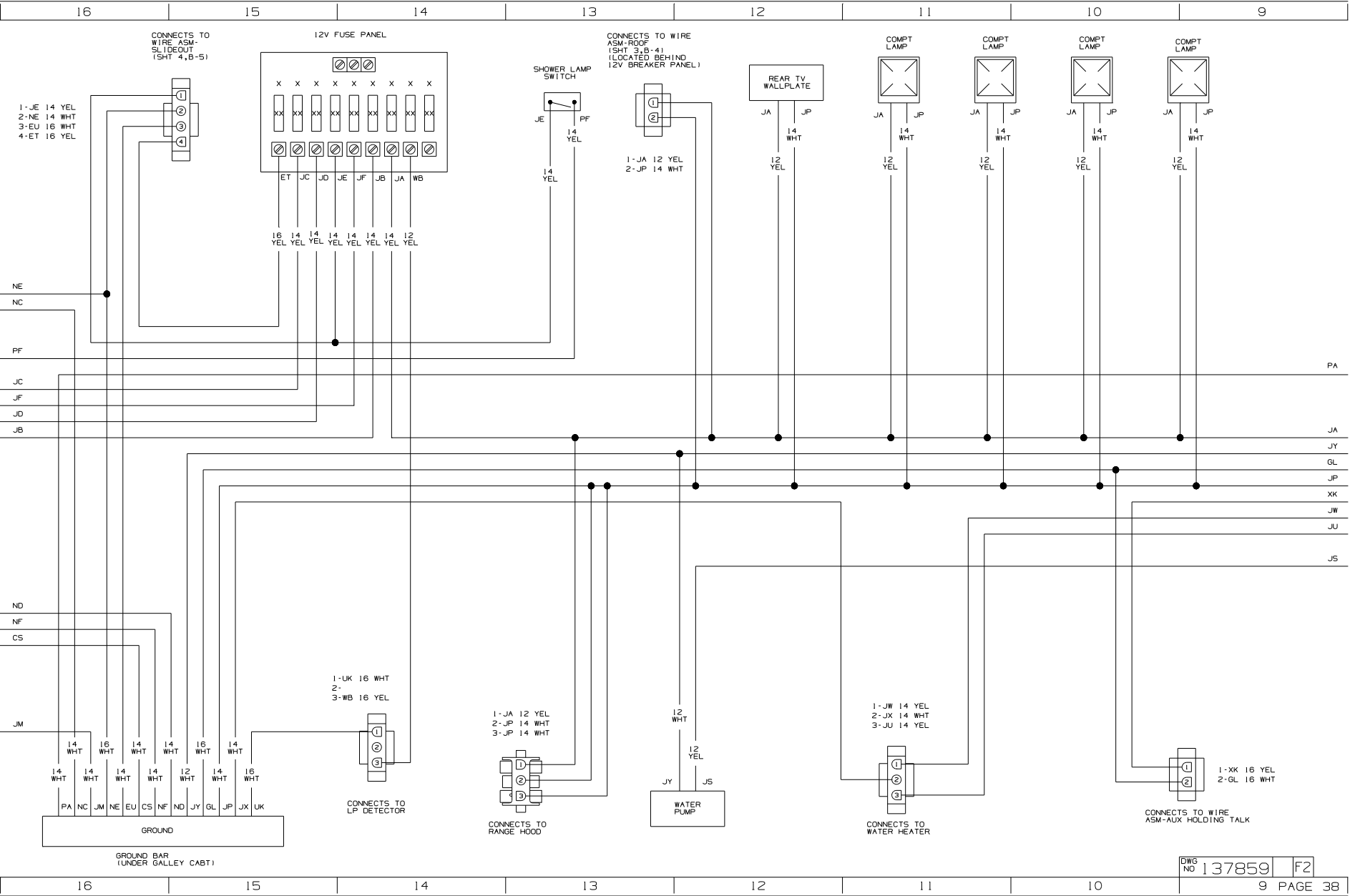


2 SEE MANUFACTURER'S DIAGRAM FOR ADDITIONAL INFORMATION.  
 1 SEE WIRING DIAGRAM-AUTO FOR ADDITIONAL INFORMATION.



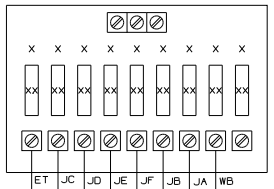
WIRING DIAGRAM-COACH (WIRE ASM 138089)

FIRST USED		02 D27C	
DO NOT SCALE DRAWING			
TITLE: WIRING DIAGRAM-BODY, 12V			
SHEET	2	PART NO	137859



CONNECTS TO WIRE ASM-SL IDEOUT (SHT 4,6-5)

12V FUSE PANEL



SHOWER LAMP SWITCH



CONNECTS TO WIRE ASM-ROOF (SHT 3,B-4) (LOCATED BEHIND 12V BREAKER PANEL)



REAR TV WALLPLATE



COMPT LAMP



COMPT LAMP



COMPT LAMP



COMPT LAMP



- 1-JE 14 YEL
- 2-NE 14 WHT
- 3-EU 16 WHT
- 4-ET 16 YEL

NE  
NC

PF

JC

JF

JD

JB

ND

NF

CS

JM

- 14 WHT
- 16 WHT
- 14 WHT
- 14 WHT
- 14 WHT
- 12 WHT
- 14 WHT
- 16 WHT



GROUND BAR (UNDER GALLEY CABT)

- 1-UK 16 WHT
- 2- 16 WHT
- 3-WB 16 YEL



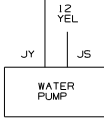
CONNECTS TO LP DETECTOR

- 1-JA 12 YEL
- 2-JP 14 WHT
- 3-JP 14 WHT



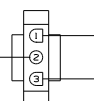
CONNECTS TO RANGE HOOD

- 12 WHT
- 12 YEL



WATER PUMP

- 1-JW 14 YEL
- 2-JX 14 WHT
- 3-JU 14 YEL

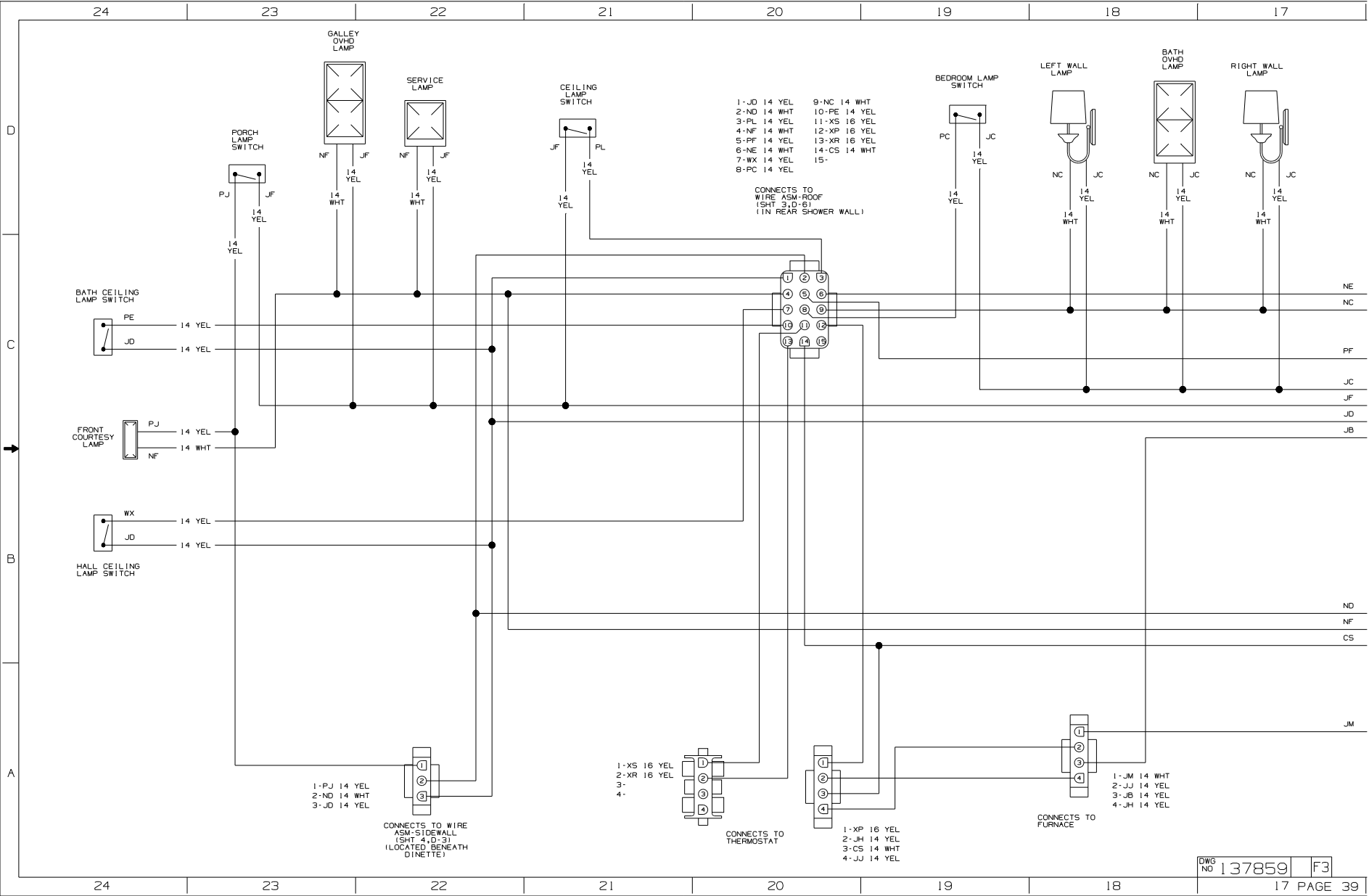


CONNECTS TO WATER HEATER

- 1-XX 16 YEL
- 2-GL 16 WHT

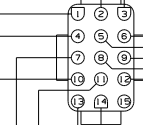


CONNECTS TO WIRE ASM-AUX HOLDING TALK



- 1-JD 14 YEL
- 2-ND 14 WHT
- 3-PL 14 YEL
- 4-NF 14 WHT
- 5-PF 14 YEL
- 6-NE 14 WHT
- 7-WX 14 YEL
- 8-PC 14 YEL
- 9-NC 14 WHT
- 10-PE 14 YEL
- 11-XS 16 YEL
- 12-XP 16 YEL
- 13-XR 16 YEL
- 14-CS 14 WHT
- 15-

CONNECTS TO WIRE ASM-ROOF (SHT 3, D-6) (1IN REAR SHOWER WALL)



- 1-PJ 14 YEL
- 2-ND 14 WHT
- 3-JD 14 YEL

CONNECTS TO WIRE ASM-SIDEWALL (SHT 4, D-3) (LOCATED BENEATH DINETTE)

- 1-XS 16 YEL
- 2-XR 16 YEL
- 3-
- 4-

CONNECTS TO THERMOSTAT

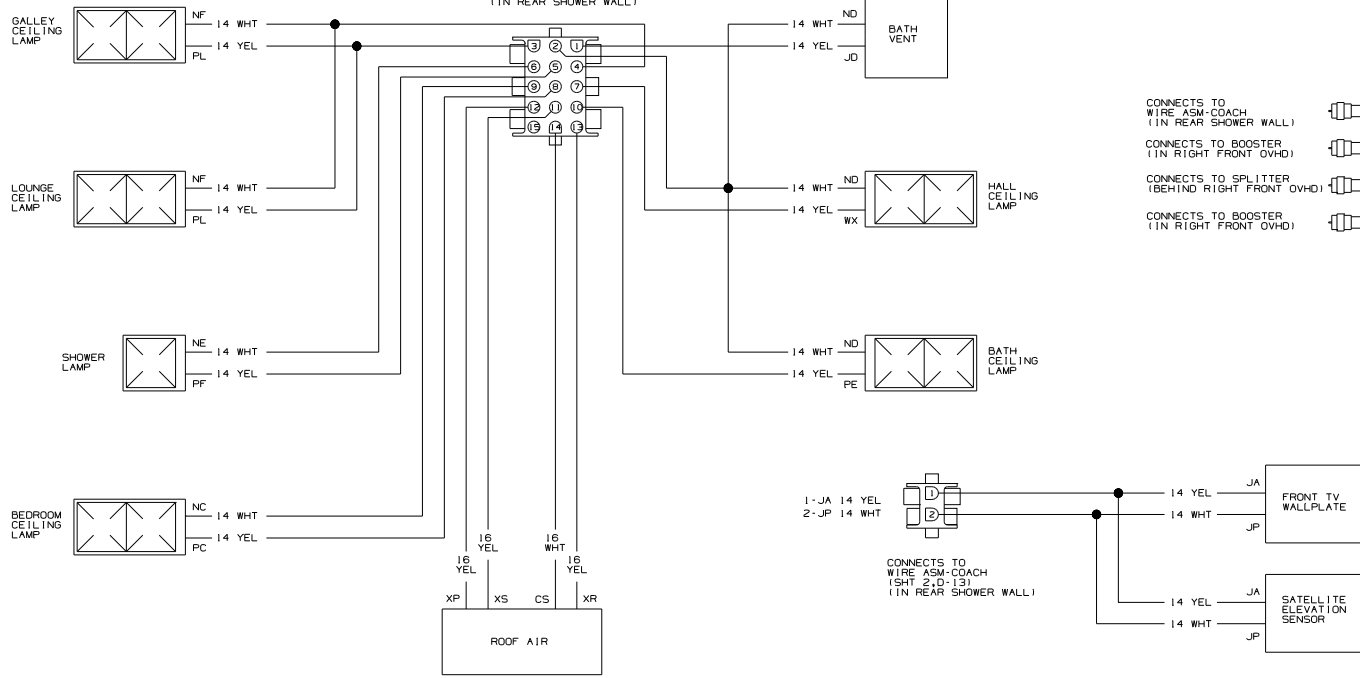
- 1-XP 16 YEL
- 2-JH 14 YEL
- 3-CS 14 WHT
- 4-JJ 14 YEL

- 1-JM 14 WHT
- 2-JJ 14 YEL
- 3-JB 14 YEL
- 4-JH 14 YEL

CONNECTS TO FURNACE

- 1-JD 14 YEL
- 2-ND 14 WHT
- 3-PL 14 YEL
- 4-NF 14 WHT
- 5-PF 14 YEL
- 6-NE 14 WHT
- 7-WX 14 YEL
- 8-PC 14 YEL
- 9-NC 14 WHT
- 10-PE 14 YEL
- 11-XS 16 YEL
- 12-XP 16 YEL
- 13-XR 16 YEL
- 14-CS 16 WHT
- 15-

CONNECTS TO  
WIRE ASM-COACH  
(SHT 2,C-20)  
(1 IN REAR SHOWER WALL)

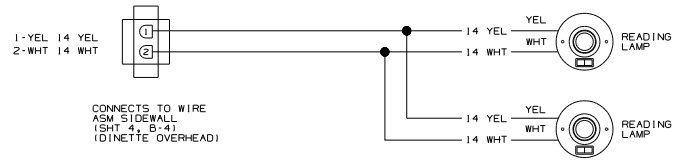


- CONNECTS TO WIRE ASM-COACH (1 IN REAR SHOWER WALL) — RED — CONNECTS TO BOOSTER (1 IN RIGHT FRONT OVHD)
- CONNECTS TO BOOSTER (1 IN RIGHT FRONT OVHD) — BLUE — CONNECTS TO ANTENNA
- CONNECTS TO SPLITTER (BEHIND RIGHT FRONT OVHD) — GREEN — CONNECTS TO REAR TV WALLPLATE (1 IN REAR BATH WALL)
- CONNECTS TO BOOSTER (1 IN RIGHT FRONT OVHD) — UNMARKED — CONNECTS TO SPLITTER (BEHIND RIGHT FRONT OVHD)

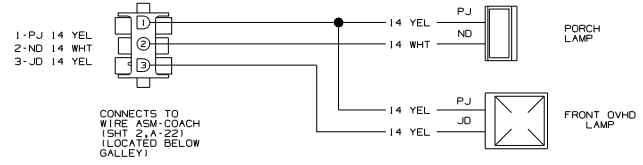
CONNECTS TO WIRE ASM-COACH  
(SHT 2,D-13)  
(1 IN REAR SHOWER WALL)

WIRING DIAGRAM-ROOF  
(WIRE ASM 138252)

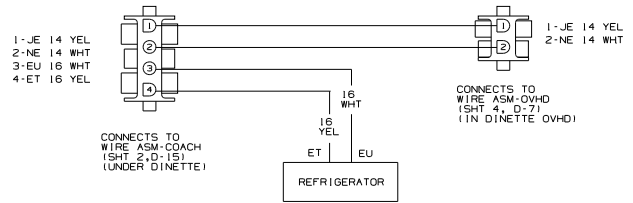
FIRST USED	02 D27C
DO NOT SCALE DRAWING	
TITLE:	WIRING DIAGRAM-BODY, 12V
SHEET 3	PART NO 137859



WIRING DIAGRAM-LAMP  
(WIRE ASM 133574-01)



WIRING DIAGRAM-SIDEWALL  
(WIRE ASM 139038)



WIRING DIAGRAM-SIDEWALL  
(WIRE ASM 134578)

FIRST USED	02 D27C	
DO NOT SCALE DRAWING		
TITLE:	WIRING DIAGRAM-BODY, 12V	
SHEET 4	PART NO	137859