



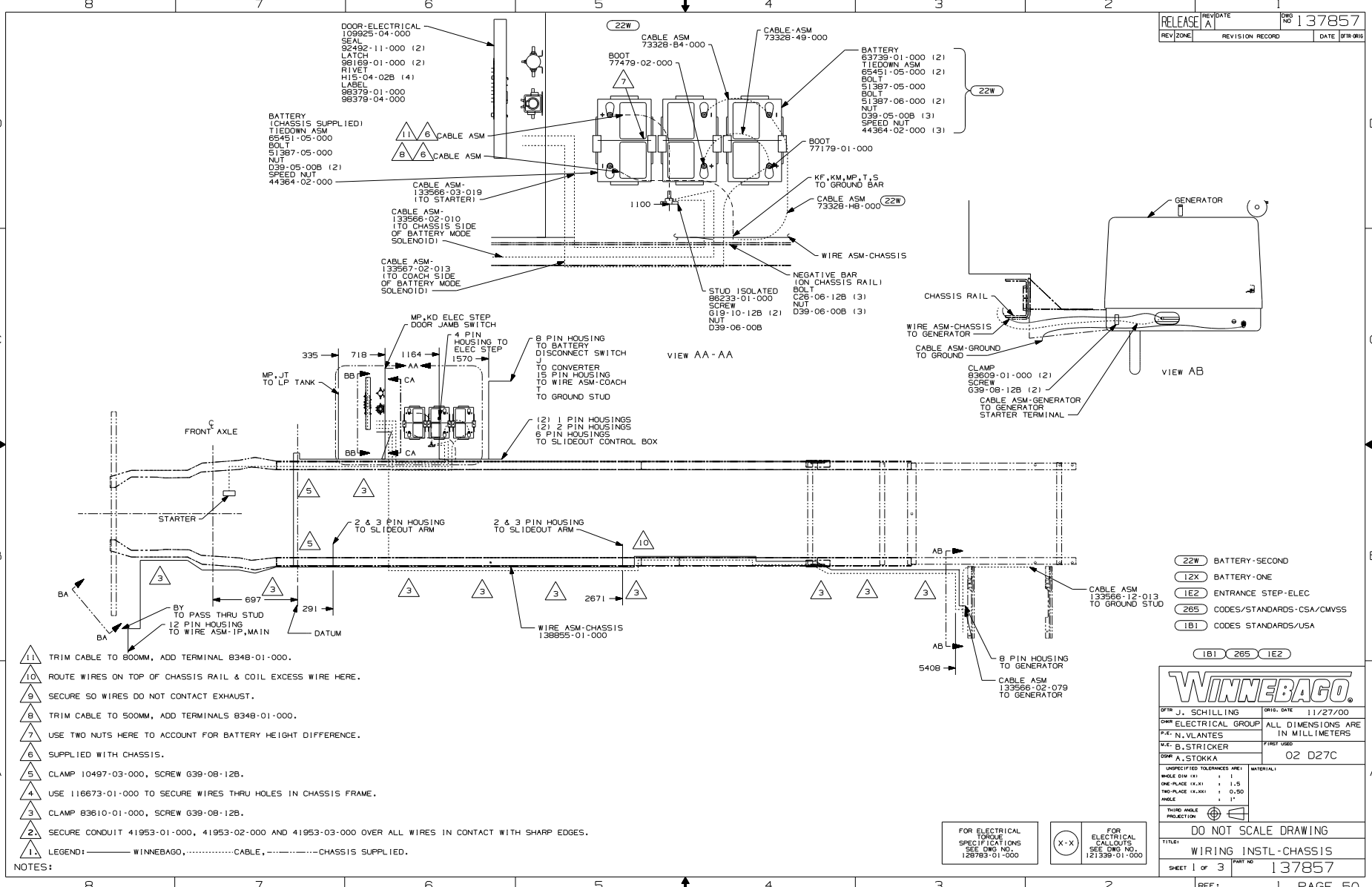
DANGER

Danger of electrical shock, burns or death. Always remove all power sources before attempting any repair, service or diagnostic work. Power can be present from shore power, generator, inverter or battery. All power sources must be disabled and secured before performing any service.



CAUTION

If you lack the skills, tools or equipment to perform diagnostic or repair work leave such work to an authorized Winnebago Industries dealer or other qualified shop.



- 11 TRIM CABLE TO 800MM, ADD TERMINAL 8348-01-000.
- 10 ROUTE WIRES ON TOP OF CHASSIS RAIL & COIL EXCESS WIRE HERE.
- 9 SECURE SO WIRES DO NOT CONTACT EXHAUST.
- 8 TRIM CABLE TO 500MM, ADD TERMINALS 8348-01-000.
- 7 USE TWO NUTS HERE TO ACCOUNT FOR BATTERY HEIGHT DIFFERENCE.
- 6 SUPPLIED WITH CHASSIS.
- 5 CLAMP 10497-03-000, SCREW G39-08-12B.
- 4 USE 116673-01-000 TO SECURE WIRES THRU HOLES IN CHASSIS FRAME.
- 3 CLAMP 83610-01-000, SCREW G39-08-12B.
- 2 SECURE CONDUIT 41953-01-000, 41953-02-000 AND 41953-03-000 OVER ALL WIRES IN CONTACT WITH SHARP EDGES.
- 1 LEGEND: — WINNEBAGO, CABLE, - - - - - CHASSIS SUPPLIED.

- 22W BATTERY-SECOND
- 12X BATTERY-ONE
- IE2 ENTRANCE STEP-ELEC
- 265 CODES/STANDARDS-CSA/CMVSS
- IB1 CODES STANDARDS/USA

WINNEBAGO

DRW J. SCHILLING ORG. DATE 11/27/00
 CHW ELECTRICAL GROUP ALL DIMENSIONS ARE IN MILLIMETERS
 P.E. N.VLANTES
 W.E. B.STRICKER FIRST USED
 DRW A.STOKKA O2 D27C

UNSPECIFIED TOLERANCES ARE:
 HOLE DIA (X) ± .1
 ONE-PLACE (X,XX) ± 1.5
 TWO-PLACE (X,XXX) ± 0.50
 FINISH ± .1

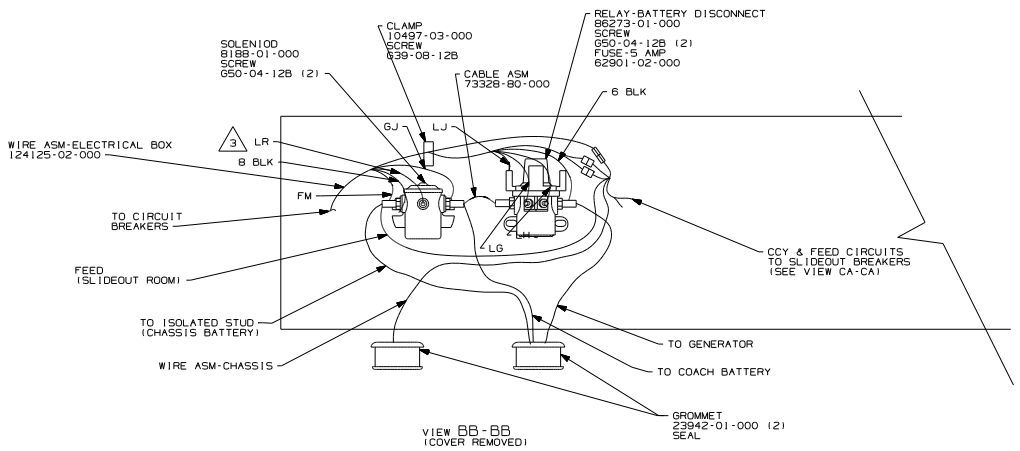
THIRD ANGLE PROJECTION

DO NOT SCALE DRAWING

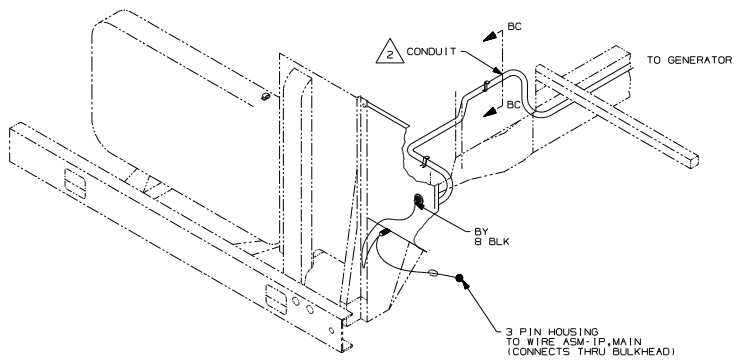
TITLE: WIRING INSTL-CHASSIS
 SHEET 1 of 3 PART NO 137857

FOR ELECTRICAL TORQUE SPECIFICATIONS SEE DWG NO. 128783-01-000

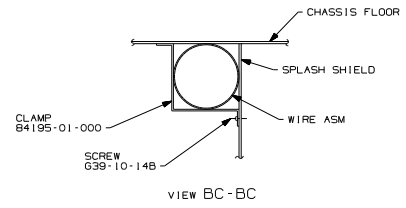
(X-X) FOR ELECTRICAL CALLOUTS SEE DWG NO. 121338-01-000



VIEW BB-BB
(COVER REMOVED)



VIEW BA-BA



VIEW BC-BC

- NOTES:
- 3 SECURE WITH SOLENOID MOUNTING SCREW.
 - 2 COVER WITH CONDUIT 41953-10-000 AND 41953-11-000 AS REQUIRED.
 - 1 CUT OFF EXCESS END OF WIRE TIE.

- (IPA) WORKHORSE CH. 12,300LB. GVWR
- (265) CODES/STANDARDS-CSA/CMVSS
- (IB1) CODES STANDARDS/USA

(IB1) (265)

FIRST USED 02 D27C

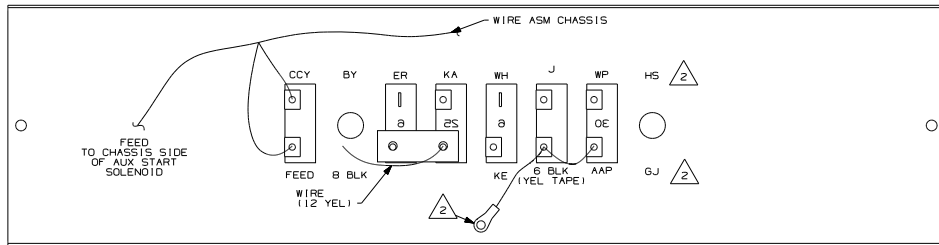
DO NOT SCALE DRAWING

TITLE: WIRING INSTL-CHASSIS

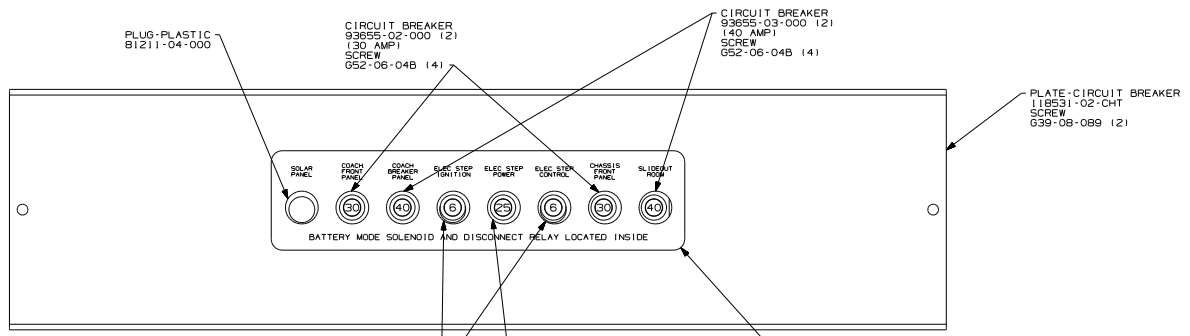
SHEET 2 3 PART NO 137857

FOR ELECTRICAL TORQUE SPECIFICATIONS SEE DWG NO. 128783-01-000

(X-X) FOR ELECTRICAL CALLOUTS SEE DWG NO. 121338-01-000



VIEW CA-CA
(WIRING)



VIEW BB-BB
(WITH COVER)

- NOTES:
- 2 TIE BACK INTO LOOM (NOT USED)
 - 1 WIRES NOT SHOWN FOR CLARITY, CIRCUITS NOTED ON CIRCUIT BREAKERS ARE FROM WIRE ASM-ELECTRICAL BOX.

FOR ELECTRICAL TORQUE SPECIFICATIONS SEE DWG NO. 128783-01-000

FOR ELECTRICAL CALLOUTS SEE DWG NO. 121338-01-000

- 265 CODES/STANDARDS-CSA/CMVSS
- 1B1 CODES STANDARDS/USA
- 1B1 265

FIRST USED	02 D27C
DO NOT SCALE DRAWING	
TITLE:	WIRING INSTL-CHASSIS
SHEET 3	PART NO 137857