



**DANGER**

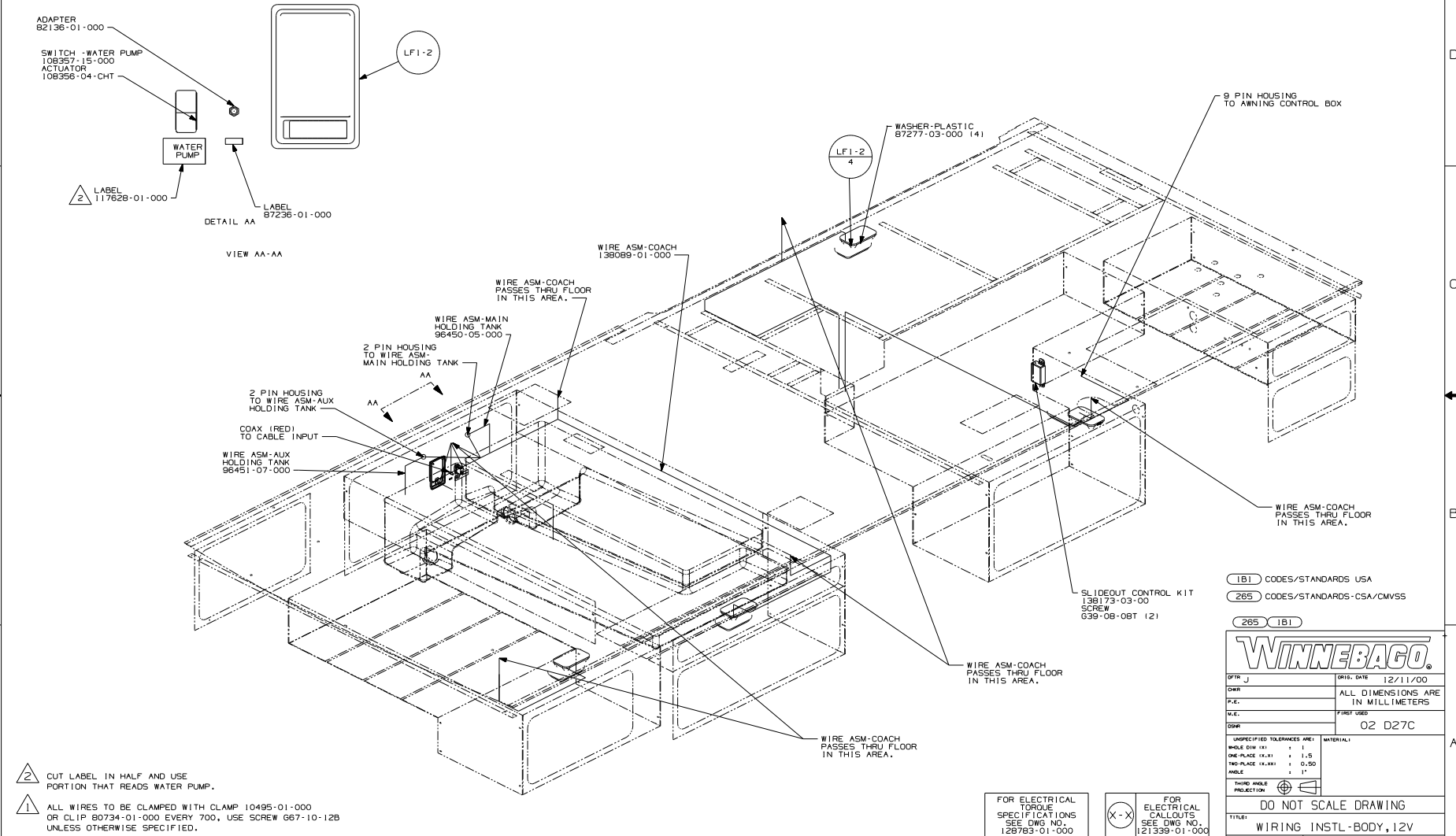
**Danger of electrical shock, burns or death.** Always remove all power sources before attempting any repair, service or diagnostic work. Power can be present from shore power, generator, inverter or battery. All power sources must be disabled and secured before performing any service.



**CAUTION**

If you lack the skills, tools or equipment to perform diagnostic or repair work leave such work to an authorized Winnebago Industries dealer or other qualified shop.

DWG NO	----
137855-01	RH SHOWN
137855-02	LH OPPOSITE



2 CUT LABEL IN HALF AND USE PORTION THAT READS WATER PUMP.

1 ALL WIRES TO BE CLAMPED WITH CLAMP 10495-01-000 OR CLIP 80734-01-000 EVERY 700, USE SCREW G67-10-12B UNLESS OTHERWISE SPECIFIED.

- (1B1) CODES/STANDARDS USA
- (285) CODES/STANDARDS-CSA/CMVSS
- (265) (1B1)

**WINNEBAGO**

DATE	12/11/00
DRAWN	ALL DIMENSIONS ARE IN MILLIMETERS
P.E.	FIRST USED
DRAWN	02 D27C

UNSPECIFIED TOLERANCES ARE:

HOLE DIA (X...)	+ .1	MATERIAL:
ONE-PLACE (X...)	+ 1.5	
THO-PLACE (X...)	+ 0.50	
HOLE	+ .1"	

THIRD ANGLE PROJECTION

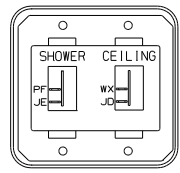
DO NOT SCALE DRAWING

TITLE: WIRING INSTL-BODY, 12V

SHEET 1 OF 4 PART NO 137855

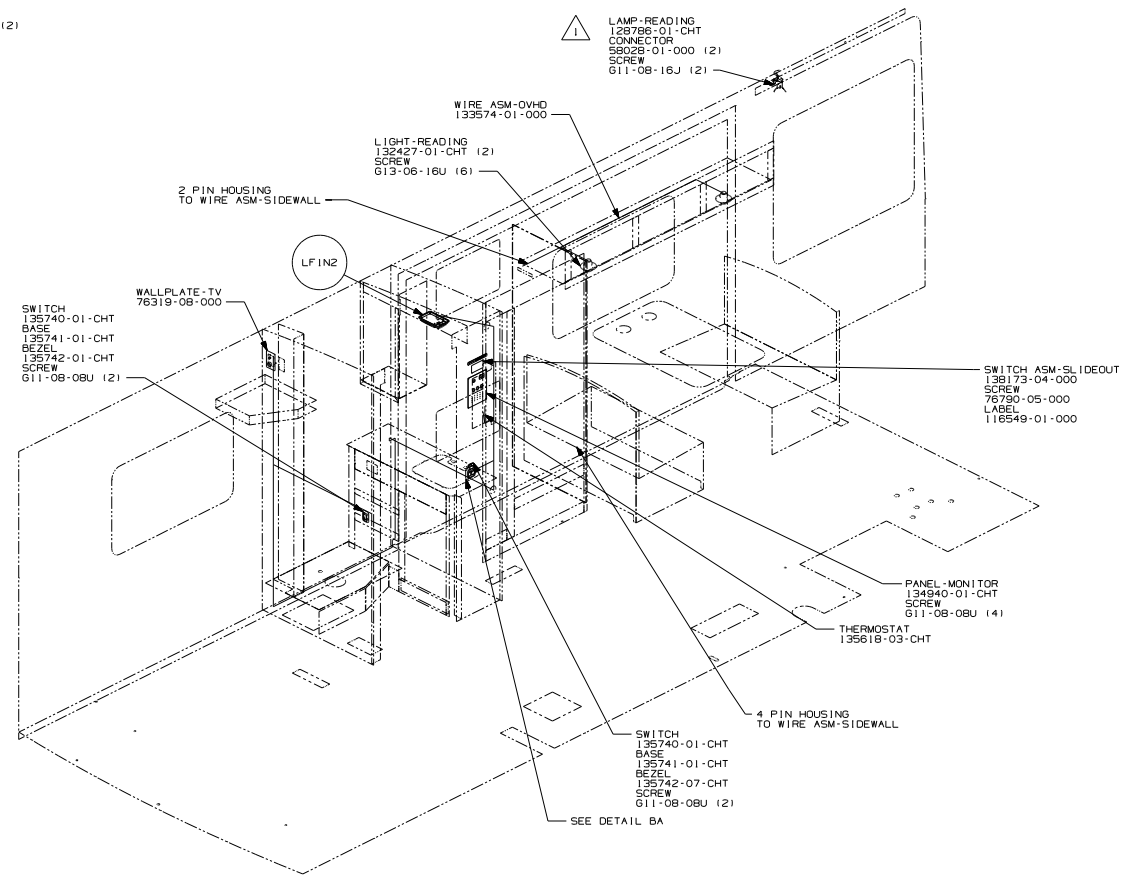
FOR ELECTRICAL TORQUE SPECIFICATIONS SEE DWG NO. 128783-01-000

FOR ELECTRICAL CALLOUTS SEE DWG NO. 121339-01-000



SWITCH-ROCKER  
135740-01-CHT (2)  
SWITCH-BASE  
135741-02-CHT  
SWITCH-BEZEL  
135742-15-CHT  
SCREW  
G11-08-0BU (4)

DETAIL XX



LAMP-READING  
128786-01-CHT  
CONNECTOR  
58028-01-000 (2)  
SCREW  
G11-08-16J (2)

LIGHT-READING  
12427-01-CHT (2)  
SCREW  
G13-06-16U (6)

2 PIN HOUSING  
TO WIRE ASM-SIDEWALL

LF IN2

SWITCH  
135740-01-CHT  
BASE  
135741-01-CHT  
BEZEL  
135742-01-CHT  
SCREW  
G11-08-0BU (2)

WALLPLATE-TV  
76319-08-000

SWITCH ASM-SL IDEOUT  
138173-04-000  
SCREW  
76790-05-000  
LABEL  
116549-01-000

PANEL-MONITOR  
134840-01-CHT  
SCREW  
G11-08-0BU (4)

THERMOSTAT  
135618-03-CHT

SWITCH  
135740-01-CHT  
BASE  
135741-01-CHT  
BEZEL  
135742-07-CHT  
SCREW  
G11-08-0BU (2)

4 PIN HOUSING  
TO WIRE ASM-SIDEWALL

SEE DETAIL BA

1 SEE WIRING INSTL-FRONT END FOR ADDITIONAL INFORMATION

NOTES:

265 CODES/STANDARDS-CSA/CMVSS

1B1 CODES/STANDARDS USA

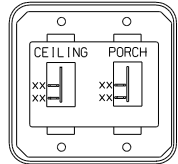
1B1 265

FIGURE NO	02 D27C
DO NOT SCALE DRAWING	
TITLE	WIRING INSTL-BODY, 12V
SHEET 2 of 4	PART NO 137855

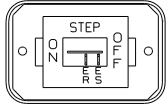
FOR ELECTRICAL  
TORQUE  
SPECIFICATIONS  
SEE DWG NO.  
128793-01-000

FOR  
ELECTRICAL  
CALLOUTS  
SEE DWG NO.  
121339-01-000



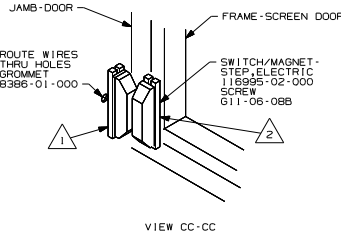
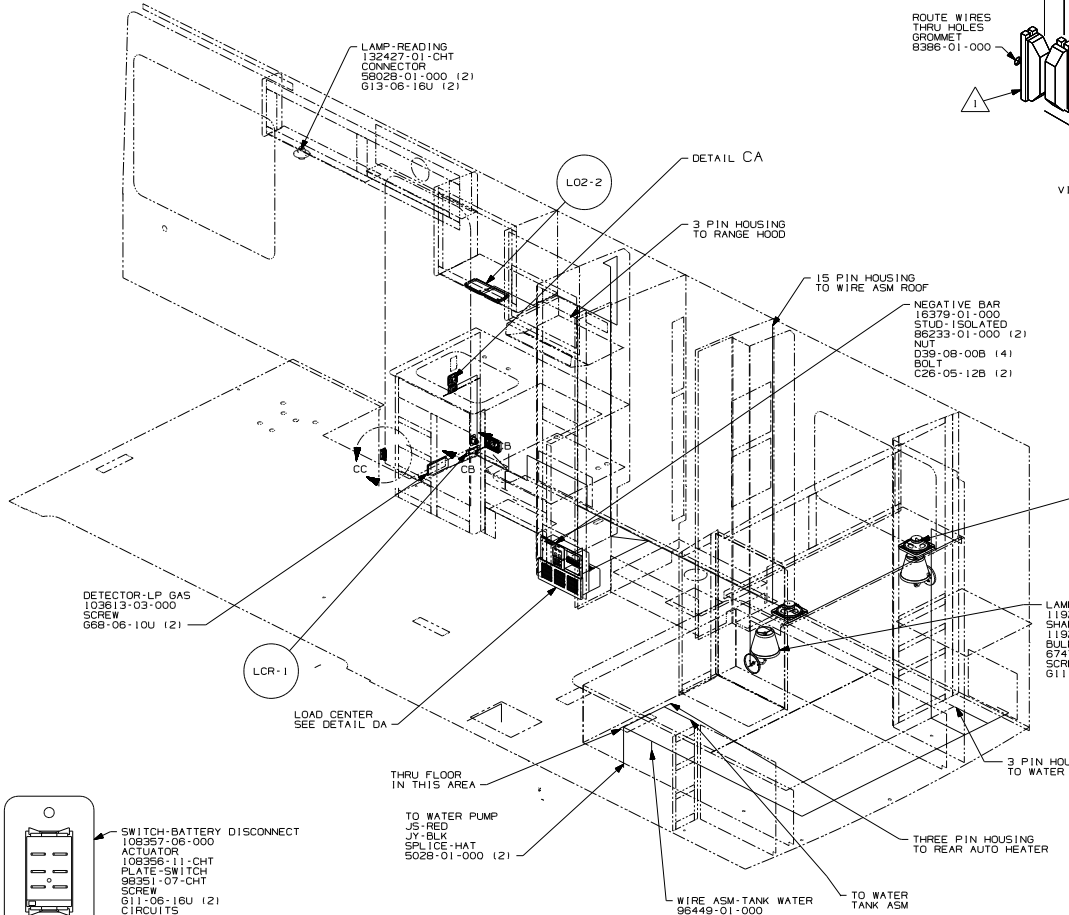


SWITCH-ROCKER  
135740-01-CHT (2)  
SWITCH-BASE  
135741-02-CHT  
SWITCH-BEZEL  
135742-19-CHT  
SCREW  
G11-08-0BU (4)

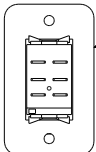


SWITCH-ROCKER  
135740-01-CHT  
SWITCH-BASE  
135741-01-CHT  
SWITCH-BEZEL  
135742-11-CHT  
SCREW  
G11-08-0BU (2)

DETAIL CA



VIEW CC-CC



SWITCH-BATTERY DISCONNECT  
108357-06-000  
ACTUATOR  
108356-11-CHT  
PLATE-SWITCH  
98351-07-CHT  
SCREW  
G11-06-1BU (2)  
CIRCUITS  
AG, JA, AF  
JS, JY

VIEW CB-CB

2 MOUNT MAGNET USING PILOT HOLES IN SCREEN DOOR FRAME. MOUNT WITH MAGNET TOWARDS SWITCH.

1 MOUNT SWITCH AND SPACER TO BLOCK ON JAMB, ADJUST HEIGHT TO MATCH MAGNET

NOTES:

265 CODES/STANDARDS-CSA/CMVSS

1B1 CODES/STANDARDS USA

1B1 265

02 D27C

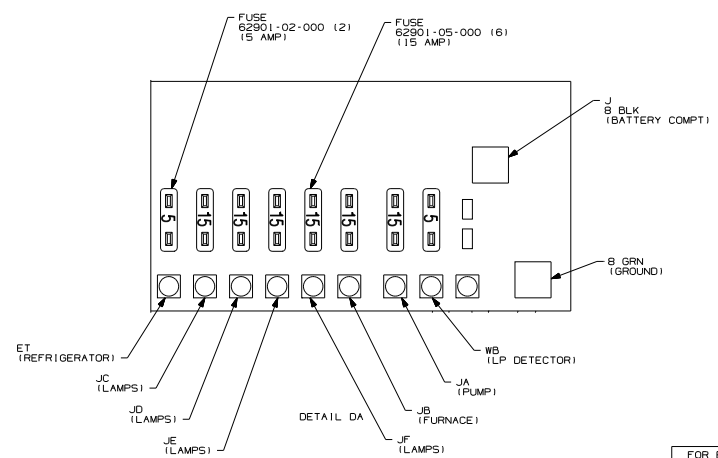
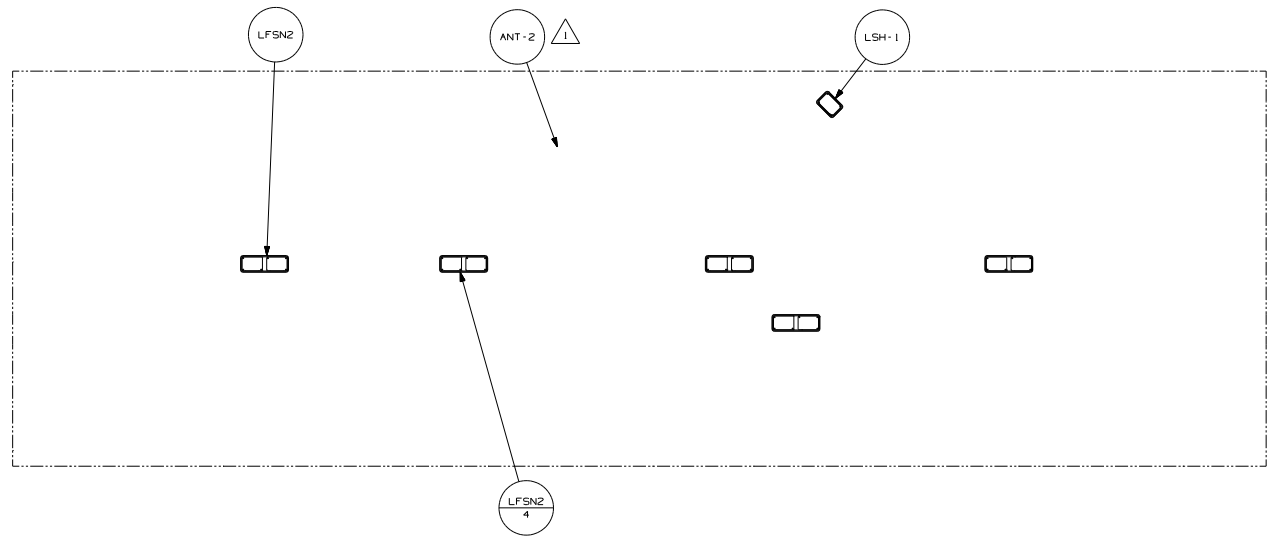
DO NOT SCALE DRAWING

WIRING INSTL-BODY, 12V

SHEET 3 of 4 PART NO 137855

FOR ELECTRICAL TORQUE SPECIFICATIONS SEE DWG NO. 128793-01-000

FOR ELECTRICAL CALLOUTS SEE DWG NO. 121339-01-000



SEE DWG 76319-01-000 FOR INSTALLATION INSTRUCTIONS.

NOTES:

FOR ELECTRICAL TORQUE SPECIFICATIONS SEE DWG NO. 128793-01-000

FOR ELECTRICAL CALLOUTS SEE DWG NO. 121339-01-000

FIRST USED	02 D27C
DO NOT SCALE DRAWING	
TITLE:	WIRING INSTL-BODY, 12V
SHEET 4 of 4	PART NO 137855