



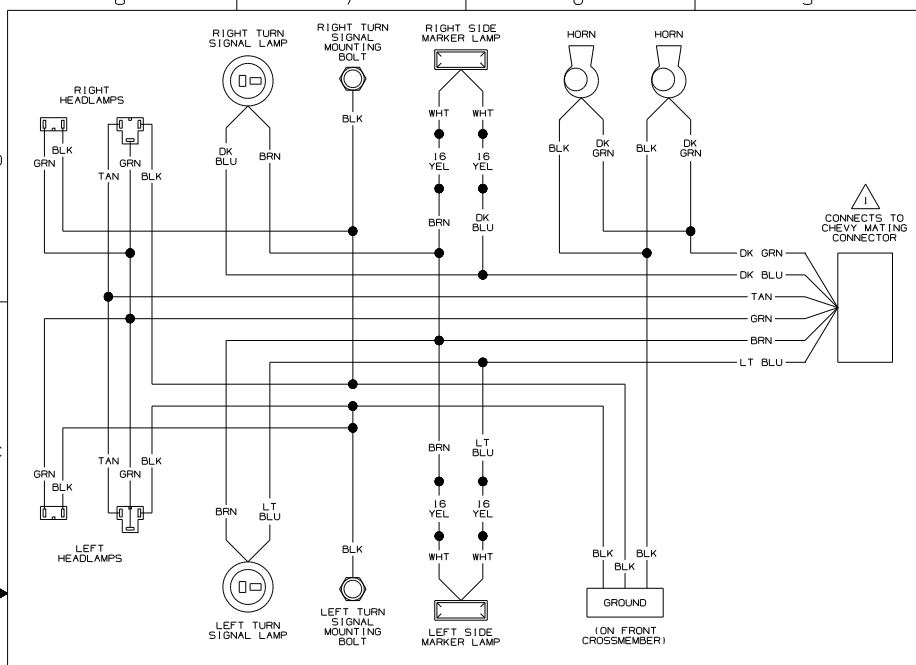
DANGER

Danger of electrical shock, burns or death. Always remove all power sources before attempting any repair, service or diagnostic work. Power can be present from shore power, generator, inverter or battery. All power sources must be disabled and secured before performing any service.

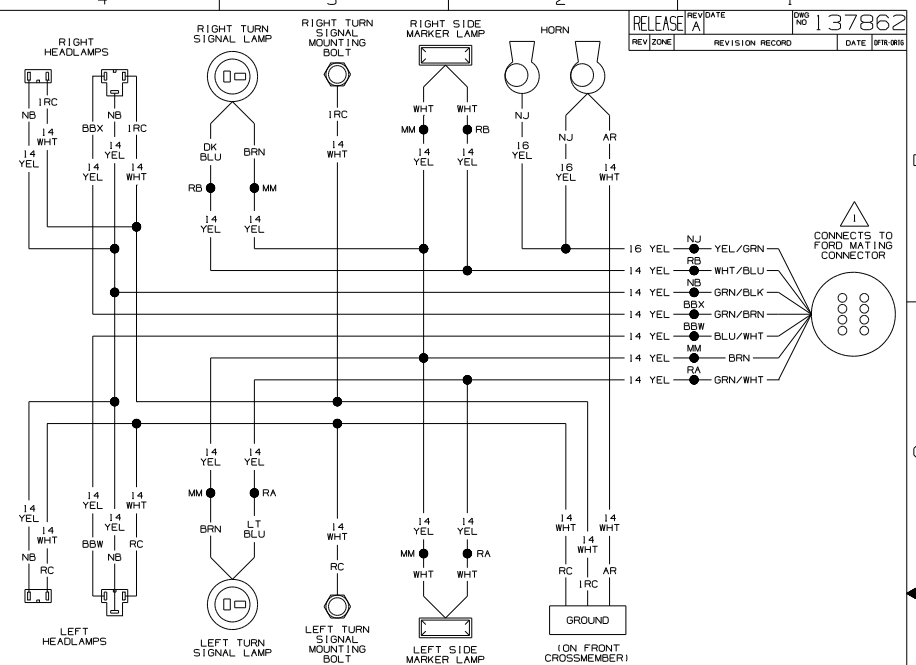


CAUTION

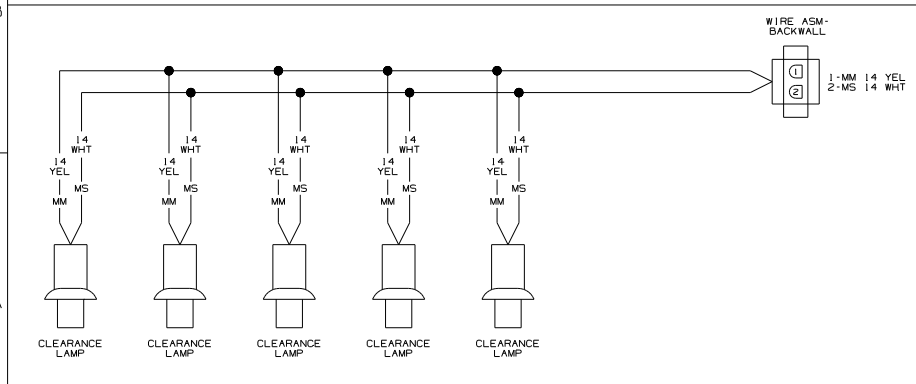
If you lack the skills, tools or equipment to perform diagnostic or repair work leave such work to an authorized Winnebago Industries dealer or other qualified shop.



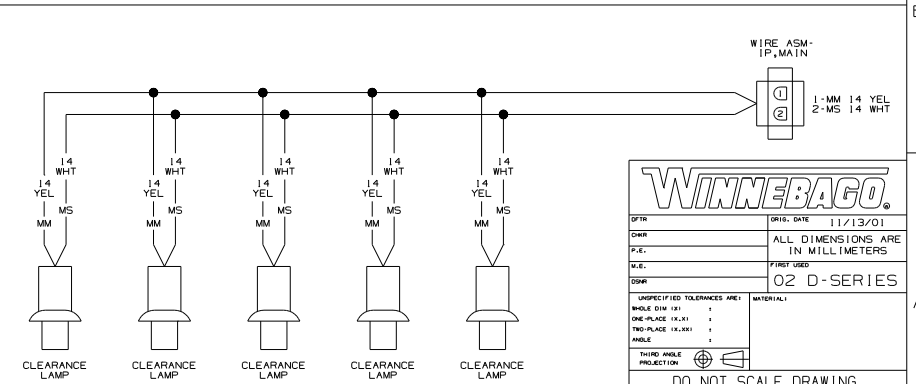
WIRING DIAGRAM-HEADLAMP
 (WORKHORSE CHASSIS)
 (WIRE ASM 103784-01)



WIRING DIAGRAM-HEADLAMP
 (FORD CHASSIS)
 (WIRE ASM 103784-211)



WIRING DIAGRAM-CLEARANCE LAMPS, REAR
 (WIRE ASM 132085-02)



WIRING DIAGRAM-CLEARANCE LAMPS, FRONT
 (WIRE ASM 129943-01)

NOTES:
 1 SEE MANUFACTURER'S DIAGRAM FOR ADDITIONAL INFORMATION.

WINNEBAGO

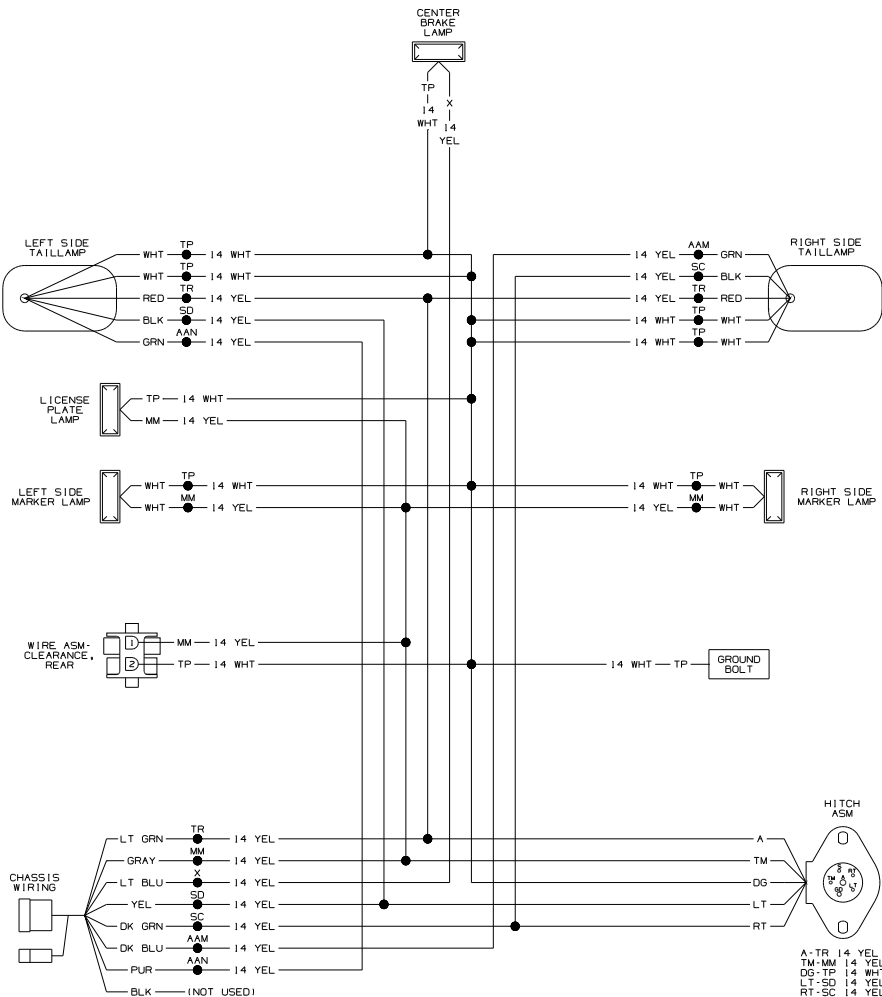
ORIG. DATE 11/13/01
 ALL DIMENSIONS ARE IN MILLIMETERS
 FIRST USED 02 D-SERIES

UNSPECIFIED TOLERANCES ARE:
 HOLE DIA. (Ø) ± .01
 ONE-PLACE (X.XX) ± .01
 TWO-PLACE (X.XXX) ± .005
 HOLE ± .01

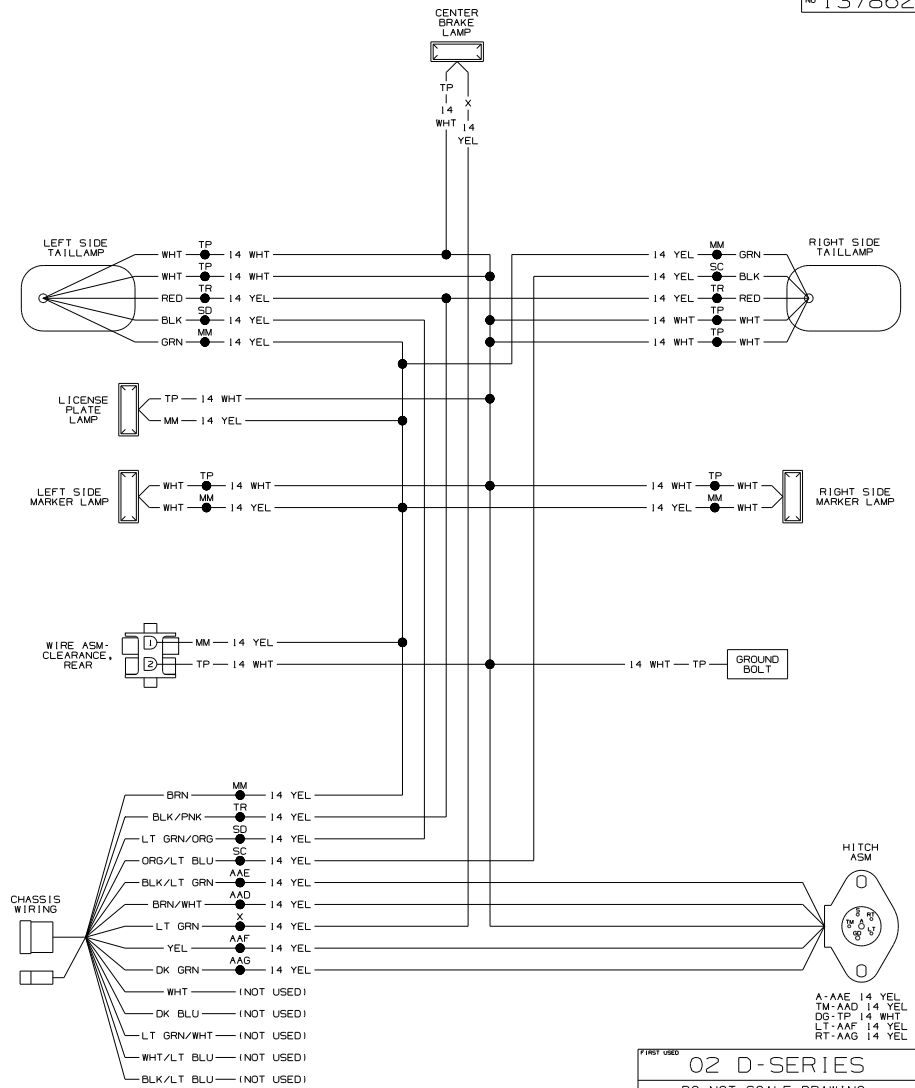
THIRD ANGLE PROJECTION

DO NOT SCALE DRAWING

TITLE: WIRING DIAGRAM-AUTO LAMPS
 SHEET 1 of 2 PART NO 137862



WIRING DIAGRAM-TAILLAMPS
(WORKHORSE CHASSIS)
(WIRE ASM 132730-05)



WIRING DIAGRAM-TAILLAMPS
(FORD CHASSIS)
(WIRE ASM 132730-04)

NOTES:
1 SEE MANUFACTURER'S DIAGRAM FOR ADDITIONAL INFORMATION.

FIRST USED		02 D-SERIES	
DO NOT SCALE DRAWING			
TITLE: WIRING DIAGRAM-AUTO LAMPS			
SHEET 2	PART NO		137862
			1 PAGE 9