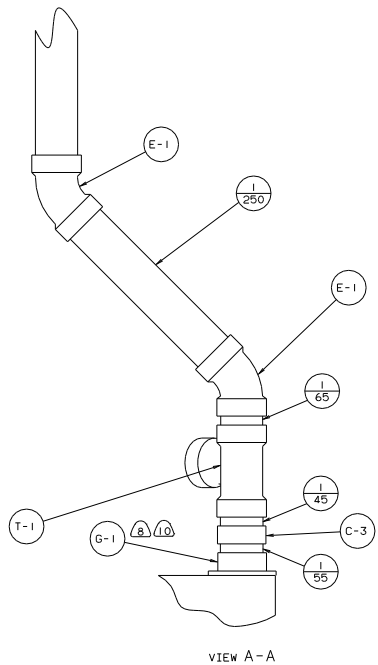


- (15) SECURE VENTS TO FLOOR USING BRACKET 136878-01-CHT, CLAMP 62401-02-000, SCREW G67-10-12B.
- (14) SEE WIRING INSTL-BODY, 12 V FOR ELECTRICAL CONNECTIONS.
- (13) SECURE PIPES TO CABINET USING WIRE TIE 108046-02-000 AND SCREW G67-10-12U (8)
- (12) TRIM P-TRAP EXTENSION TO FIT.
- (11) CLEAN AND APPLY ADHESIVE PROMOTER 87211-01-000 TO BOTH SURFACES AND BOND WITH TAPE.
- (10) SECURE VENT TUBES TO FLOOR.
- (9) VENT PIPE MUST PROJECT 51" MIN AND 64" MAX ABOVE ROOF FOR PROPER FIT AND FUNCTION.
- (8) SEE DWG 61607-01-000 FOR INSTL OF GROMMET.
- (7) SEAL ALL AROUND SHOWER WITH SILICONE 78474-01-CHT.
- 6. FOR CAN UNITS EACH HOLDING TANK SHALL HAVE A CSA APPROVAL STAMPED NEAR THE IAMPO APPROVAL.
- 5. EXPOSED PIPE ABOVE ROOF TO BE PAINTED 37163-01-000.
- 4. ALL EXTERIOR OPENINGS AROUND PIPE TO BE SEALED.
- 3. ALL PIPE AND FITTINGS TO BE ASSEMBLED WITH SOLVENT 4020-01-000.
- 2. SLOPE OF TRAP ARM MUST BE 6 PER 305.
- 1. SLOPE OF HORIZONTAL PIPING TO BE 6 PER 305 MIN.

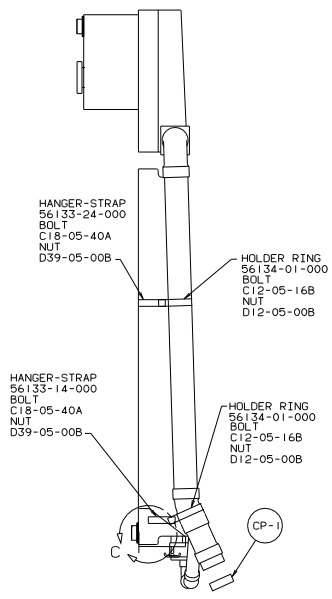
(23T) HEATED HOLDING TANKS-PACKAGE
(43F) SHOWER SURROUND-ABS

(X-X) FOR DRAINAGE CALLOUTS SEE DWG NO. 116229-01-000

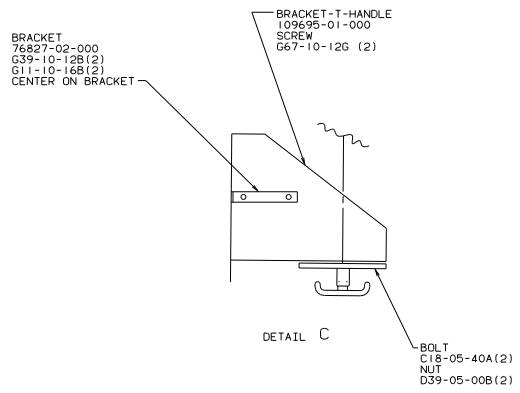
COPYRIGHT 2000 WINNERAGO INDUSTRIES, INC.		00 329N	
DATE	UNSPECIFIED TOLERANCES ARE:	MATERIAL:	
DATE	FRAMES (FR. 1)	FRAMES (FR. 1)	
DATE	FRAMES (FR. 2)	FRAMES (FR. 2)	
DATE	FRAMES (FR. 3)	FRAMES (FR. 3)	
DATE	FRAMES (FR. 4)	FRAMES (FR. 4)	
DATE	FRAMES (FR. 5)	FRAMES (FR. 5)	
DATE	FRAMES (FR. 6)	FRAMES (FR. 6)	
DATE	FRAMES (FR. 7)	FRAMES (FR. 7)	
DATE	FRAMES (FR. 8)	FRAMES (FR. 8)	
DATE	FRAMES (FR. 9)	FRAMES (FR. 9)	
DATE	FRAMES (FR. 10)	FRAMES (FR. 10)	
DATE	FRAMES (FR. 11)	FRAMES (FR. 11)	
DATE	FRAMES (FR. 12)	FRAMES (FR. 12)	
DATE	FRAMES (FR. 13)	FRAMES (FR. 13)	
DATE	FRAMES (FR. 14)	FRAMES (FR. 14)	
DATE	FRAMES (FR. 15)	FRAMES (FR. 15)	
DATE	FRAMES (FR. 16)	FRAMES (FR. 16)	
DATE	FRAMES (FR. 17)	FRAMES (FR. 17)	
DATE	FRAMES (FR. 18)	FRAMES (FR. 18)	
DATE	FRAMES (FR. 19)	FRAMES (FR. 19)	
DATE	FRAMES (FR. 20)	FRAMES (FR. 20)	
DATE	FRAMES (FR. 21)	FRAMES (FR. 21)	
DATE	FRAMES (FR. 22)	FRAMES (FR. 22)	
DATE	FRAMES (FR. 23)	FRAMES (FR. 23)	
DATE	FRAMES (FR. 24)	FRAMES (FR. 24)	
DATE	FRAMES (FR. 25)	FRAMES (FR. 25)	
DATE	FRAMES (FR. 26)	FRAMES (FR. 26)	
DATE	FRAMES (FR. 27)	FRAMES (FR. 27)	
DATE	FRAMES (FR. 28)	FRAMES (FR. 28)	
DATE	FRAMES (FR. 29)	FRAMES (FR. 29)	
DATE	FRAMES (FR. 30)	FRAMES (FR. 30)	
DATE	FRAMES (FR. 31)	FRAMES (FR. 31)	
DATE	FRAMES (FR. 32)	FRAMES (FR. 32)	
DATE	FRAMES (FR. 33)	FRAMES (FR. 33)	
DATE	FRAMES (FR. 34)	FRAMES (FR. 34)	
DATE	FRAMES (FR. 35)	FRAMES (FR. 35)	
DATE	FRAMES (FR. 36)	FRAMES (FR. 36)	
DATE	FRAMES (FR. 37)	FRAMES (FR. 37)	
DATE	FRAMES (FR. 38)	FRAMES (FR. 38)	
DATE	FRAMES (FR. 39)	FRAMES (FR. 39)	
DATE	FRAMES (FR. 40)	FRAMES (FR. 40)	
DATE	FRAMES (FR. 41)	FRAMES (FR. 41)	
DATE	FRAMES (FR. 42)	FRAMES (FR. 42)	
DATE	FRAMES (FR. 43)	FRAMES (FR. 43)	
DATE	FRAMES (FR. 44)	FRAMES (FR. 44)	
DATE	FRAMES (FR. 45)	FRAMES (FR. 45)	
DATE	FRAMES (FR. 46)	FRAMES (FR. 46)	
DATE	FRAMES (FR. 47)	FRAMES (FR. 47)	
DATE	FRAMES (FR. 48)	FRAMES (FR. 48)	
DATE	FRAMES (FR. 49)	FRAMES (FR. 49)	
DATE	FRAMES (FR. 50)	FRAMES (FR. 50)	
DATE	FRAMES (FR. 51)	FRAMES (FR. 51)	
DATE	FRAMES (FR. 52)	FRAMES (FR. 52)	
DATE	FRAMES (FR. 53)	FRAMES (FR. 53)	
DATE	FRAMES (FR. 54)	FRAMES (FR. 54)	
DATE	FRAMES (FR. 55)	FRAMES (FR. 55)	
DATE	FRAMES (FR. 56)	FRAMES (FR. 56)	
DATE	FRAMES (FR. 57)	FRAMES (FR. 57)	
DATE	FRAMES (FR. 58)	FRAMES (FR. 58)	
DATE	FRAMES (FR. 59)	FRAMES (FR. 59)	
DATE	FRAMES (FR. 60)	FRAMES (FR. 60)	
DATE	FRAMES (FR. 61)	FRAMES (FR. 61)	
DATE	FRAMES (FR. 62)	FRAMES (FR. 62)	
DATE	FRAMES (FR. 63)	FRAMES (FR. 63)	
DATE	FRAMES (FR. 64)	FRAMES (FR. 64)	
DATE	FRAMES (FR. 65)	FRAMES (FR. 65)	
DATE	FRAMES (FR. 66)	FRAMES (FR. 66)	
DATE	FRAMES (FR. 67)	FRAMES (FR. 67)	
DATE	FRAMES (FR. 68)	FRAMES (FR. 68)	
DATE	FRAMES (FR. 69)	FRAMES (FR. 69)	
DATE	FRAMES (FR. 70)	FRAMES (FR. 70)	
DATE	FRAMES (FR. 71)	FRAMES (FR. 71)	
DATE	FRAMES (FR. 72)	FRAMES (FR. 72)	
DATE	FRAMES (FR. 73)	FRAMES (FR. 73)	
DATE	FRAMES (FR. 74)	FRAMES (FR. 74)	
DATE	FRAMES (FR. 75)	FRAMES (FR. 75)	
DATE	FRAMES (FR. 76)	FRAMES (FR. 76)	
DATE	FRAMES (FR. 77)	FRAMES (FR. 77)	
DATE	FRAMES (FR. 78)	FRAMES (FR. 78)	
DATE	FRAMES (FR. 79)	FRAMES (FR. 79)	
DATE	FRAMES (FR. 80)	FRAMES (FR. 80)	
DATE	FRAMES (FR. 81)	FRAMES (FR. 81)	
DATE	FRAMES (FR. 82)	FRAMES (FR. 82)	
DATE	FRAMES (FR. 83)	FRAMES (FR. 83)	
DATE	FRAMES (FR. 84)	FRAMES (FR. 84)	
DATE	FRAMES (FR. 85)	FRAMES (FR. 85)	
DATE	FRAMES (FR. 86)	FRAMES (FR. 86)	
DATE	FRAMES (FR. 87)	FRAMES (FR. 87)	
DATE	FRAMES (FR. 88)	FRAMES (FR. 88)	
DATE	FRAMES (FR. 89)	FRAMES (FR. 89)	
DATE	FRAMES (FR. 90)	FRAMES (FR. 90)	
DATE	FRAMES (FR. 91)	FRAMES (FR. 91)	
DATE	FRAMES (FR. 92)	FRAMES (FR. 92)	
DATE	FRAMES (FR. 93)	FRAMES (FR. 93)	
DATE	FRAMES (FR. 94)	FRAMES (FR. 94)	
DATE	FRAMES (FR. 95)	FRAMES (FR. 95)	
DATE	FRAMES (FR. 96)	FRAMES (FR. 96)	
DATE	FRAMES (FR. 97)	FRAMES (FR. 97)	
DATE	FRAMES (FR. 98)	FRAMES (FR. 98)	
DATE	FRAMES (FR. 99)	FRAMES (FR. 99)	
DATE	FRAMES (FR. 100)	FRAMES (FR. 100)	



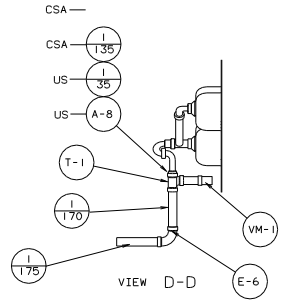
VIEW A-A



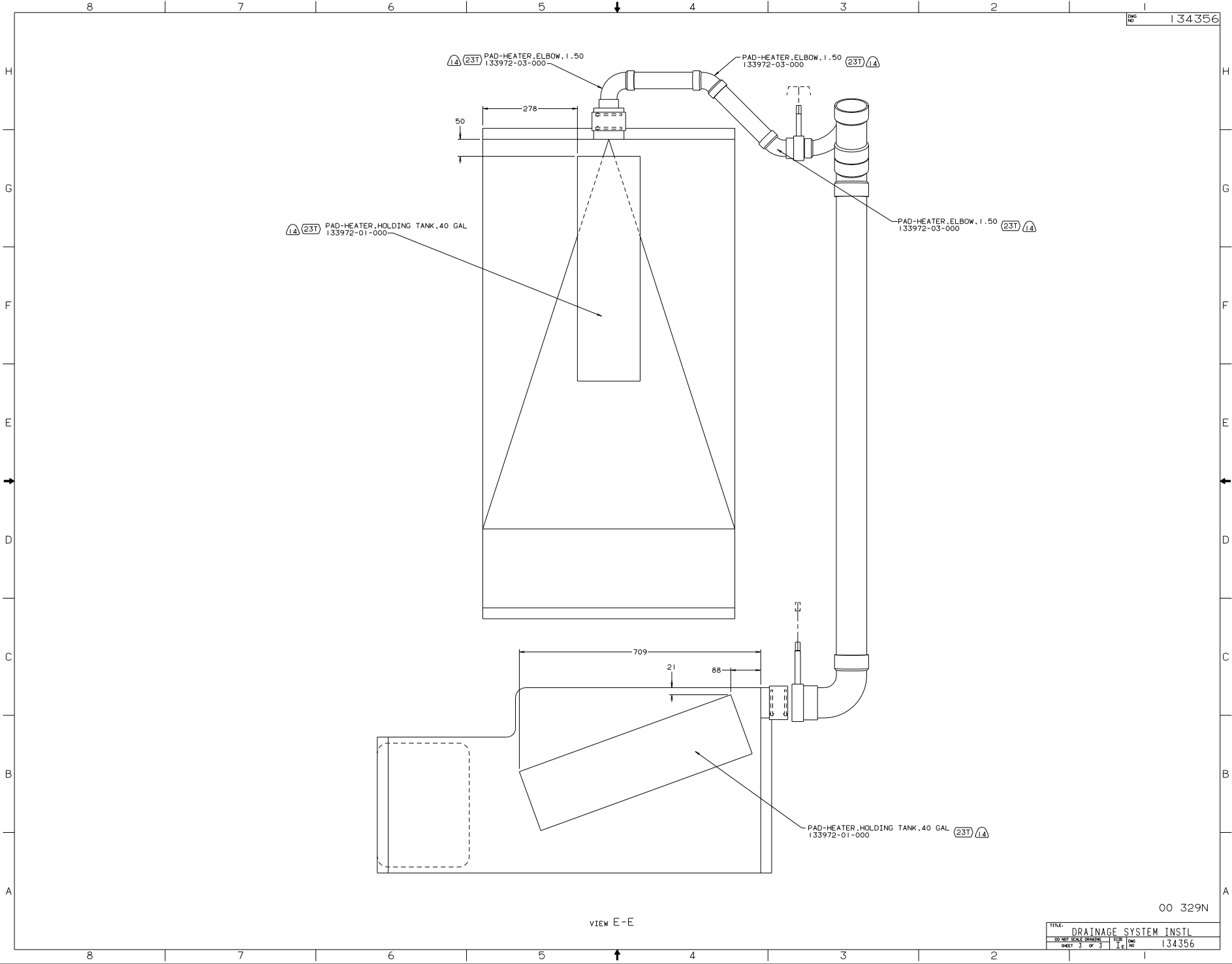
VIEW B-B



DETAIL C



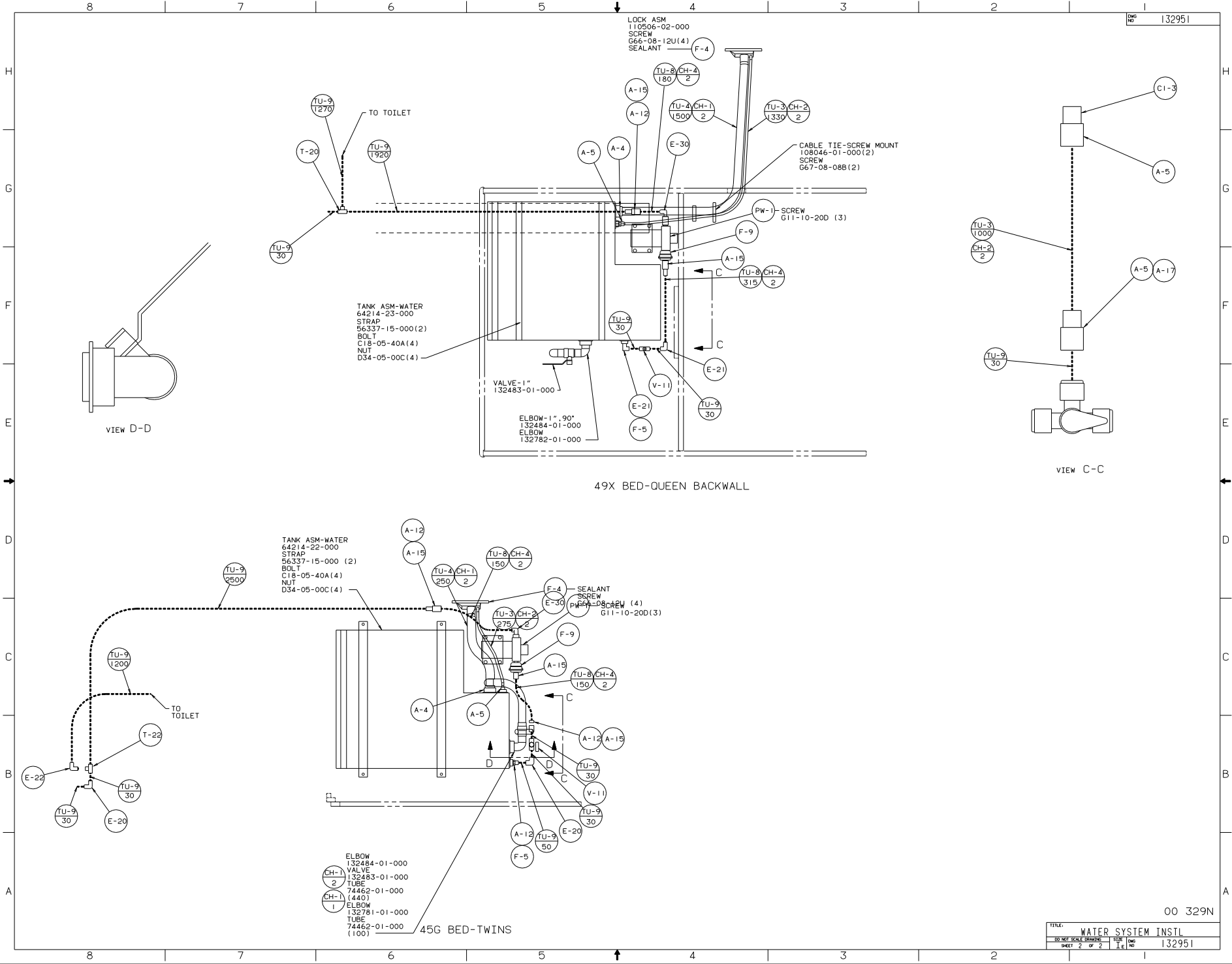
VIEW D-D



VIEW E-E

00 329N

TITLE: DRAINAGE SYSTEM INSUL		DWG NO: 134356	
30 MET SCALE DRAWING	SHEET 3 OF 3	FILE	DATE

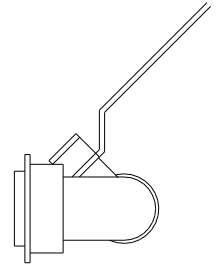


TO TOILET
 TU-9 (1270)
 T-20
 TU-9 (1920)

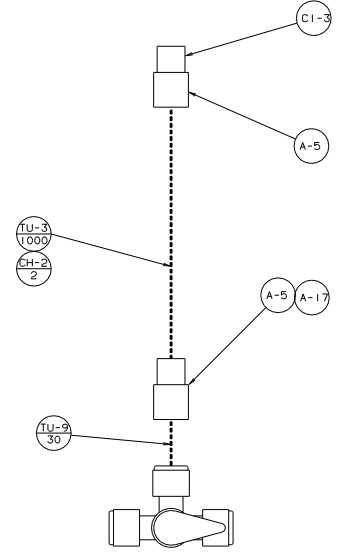
TANK ASM-WATER
 64214-23-000
 STRAP
 56337-15-000(2)
 BOLT
 C18-05-40A(4)
 NUT
 D34-05-00C(4)

VALVE-1"
 132483-01-000
 ELBOW-1", 90"
 132484-01-000
 ELBOW
 132782-01-000

LOCK ASM
 110506-02-000
 SCREW
 G66-08-12U(4)
 SEALANT
 F-4
 TU-8 CH-4
 180 2
 TU-4 CH-1
 1500 2
 TU-3 CH-2
 1330 2
 CABLE TIE-SCREW MOUNT
 108046-01-000(2)
 SCREW
 G67-08-08B(2)



VIEW D-D



VIEW C-C

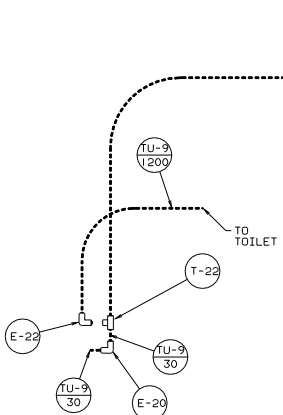
49X BED-QUEEN BACKWALL

TANK ASM-WATER
 64214-22-000
 STRAP
 56337-15-000 (2)
 BOLT
 C18-05-40A(4)
 NUT
 D34-05-00C(4)

A-12
 A-15

TU-8 CH-4
 150 2
 TU-4 CH-1
 250 2
 TU-3 CH-2
 275 2

SEALANT
 SCREW
 G11-10-20D(3)
 F-4
 E-30
 F-9
 TU-8 CH-4
 150 2



ELBOW
 132484-01-000
 VALVE
 132483-01-000
 TUBE
 74462-01-000
 (440)
 CH-1
 1
 ELBOW
 132781-01-000
 TUBE
 74462-01-000
 (100)

45G BED-TWINS