

- NOTES:
7. SECURE VENT TO FLOOR WITH BRACKET 136878-01-CHT CLAMP 62401-02-000, SCREW G67-10-12B.
  6. VENT PIPE MUST PROECT 51 MIN AND 64 MAX ABOVE ROOF FOR PROPER FIT AND FUNCTION.
  5. SEAL AROUND SHOWER WITH SILICONE.
  4. ALL EXTERIOR OPENINGS AROUND PIPE TO BE SEALED WITH 110744-01-000.
  3. ALL PIPE AND FITTINGS TO BE ASSEMBLED WITH SOLVENT 4020-01-000.
  2. SLOPE OF TRAP ARM MUST BE 6 PER 305 mm.
  1. SLOPE OF HORIZONTAL PIPING TO BE 6 PER 305 mm.

FRONT OF COACH

(265) CODES/STDS - CSA/CMVSS  
 (1B1) CODES/STANDARDS/USA

<b>WINNEBAGO</b>		COPYRIGHT 2002 WINNEBAGO INDUSTRIES, INC.	
DFTR	ORIG. DATE	ALL DIMENSIONS ARE IN MILLIMETERS	
CHKR		FIRST USED	
P.E.		02 329B	
M.E.		UNSPECIFIED TOLERANCES ARE:	
DSNR		MATERIAL:	
		WHOLE DIM (X) :	3
		ONE-PLACE (X.X) :	
		TWO-PLACE (X.XX) :	
		ANGLE :	
THIRD ANGLE PROJECTION		DO NOT SCALE DRAWING	
TITLE:		DRAINAGE SYSTEM INSTL	
SHEET 1 OF 3	PART NO	138457	

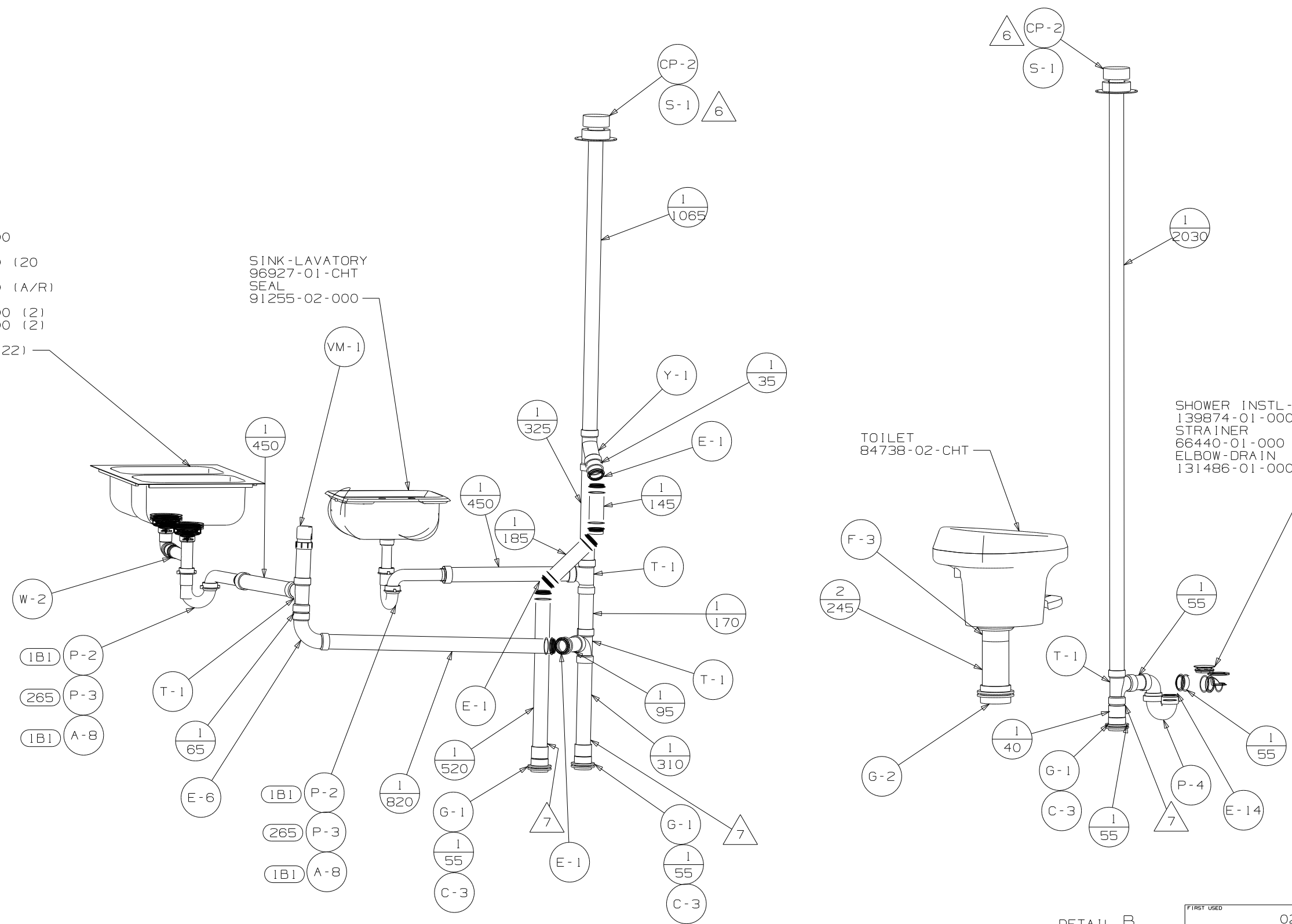
FOR  
DRAINAGE  
CALLOUTS  
SEE DWG NO  
116229-01-000

SINK-SST  
 104113-01-000  
 STRAINER  
 92303-01-000 (20)  
 SEAL  
 91255-02-000 (A/R)  
 RETAINER  
 105497-01-000 (2)  
 105497-02-000 (2)  
 SCREW  
 667-10-126 (22)

SINK-LAVATORY  
 96927-01-CHT  
 SEAL  
 91255-02-000

TOILET  
 84738-02-CHT

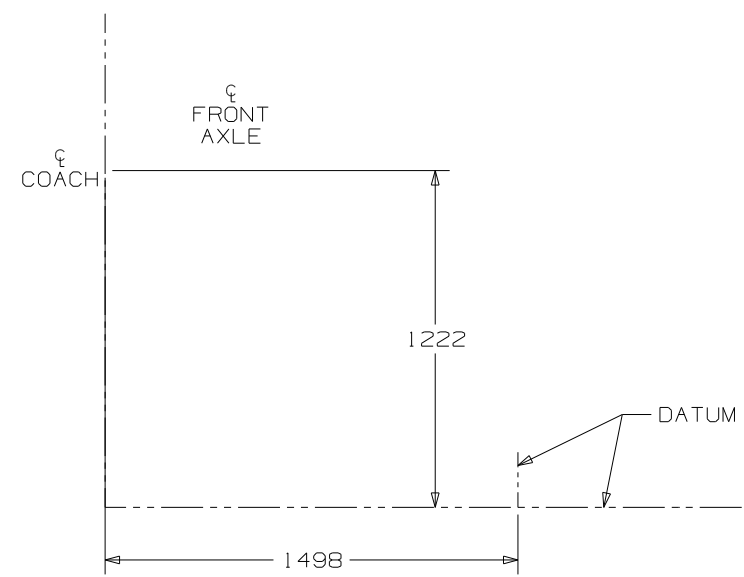
SHOWER INSTL-ENCLOSURE  
 139874-01-000  
 STRAINER  
 66440-01-000  
 ELBOW-DRAIN  
 131486-01-000



DETAIL A

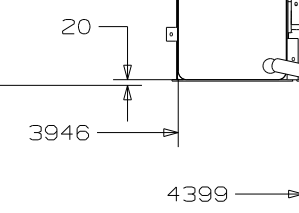
DETAIL B

FIRST USED	02 329B
TITLE	DO NOT SCALE DRAWING
	DRAINAGE SYSTEM INSTL
SHEET 2	PART NO 138457

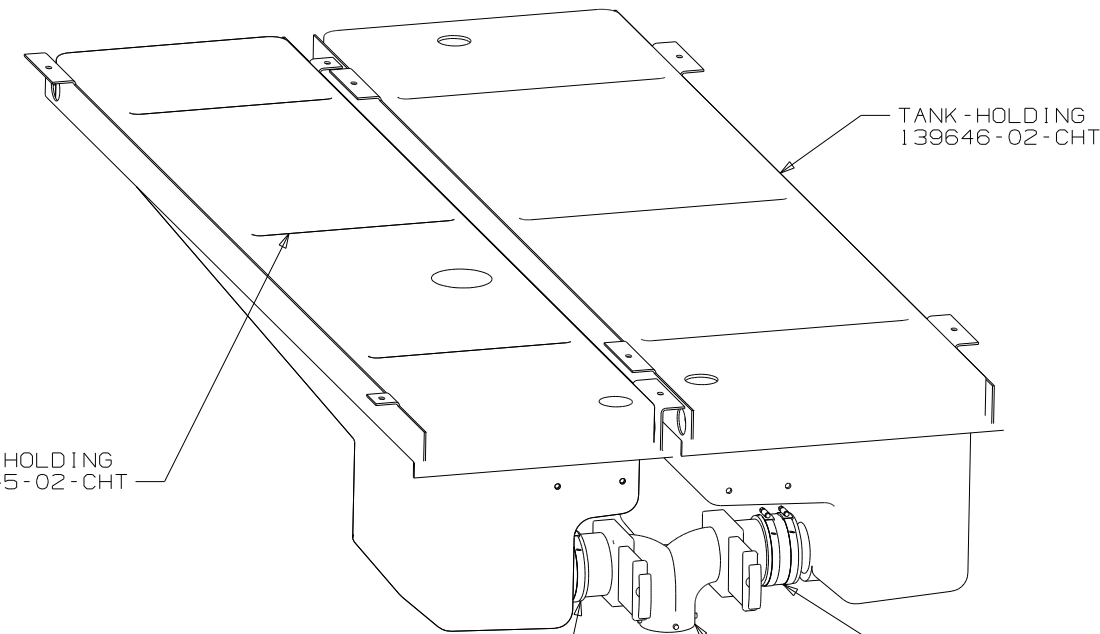


CRADEL ASM  
 139596-01-CHT  
 BOLT  
 C18-05-40A (4)  
 NUT  
 D13-05-00B (4)

CRADEL ASM  
 139597-01-CHT  
 BOLT  
 C18-05-40A (4)  
 NUT  
 D13-05-00B (4)

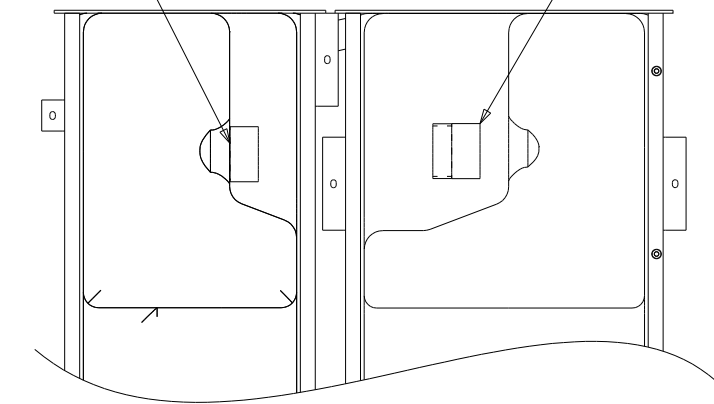


VIEW D

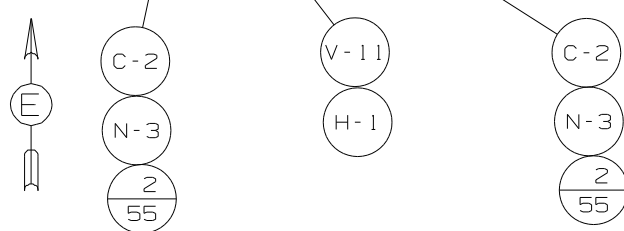


PAD-HEATER  
 133972-04-CHT

PAD-HEATER  
 133972-04-CHT

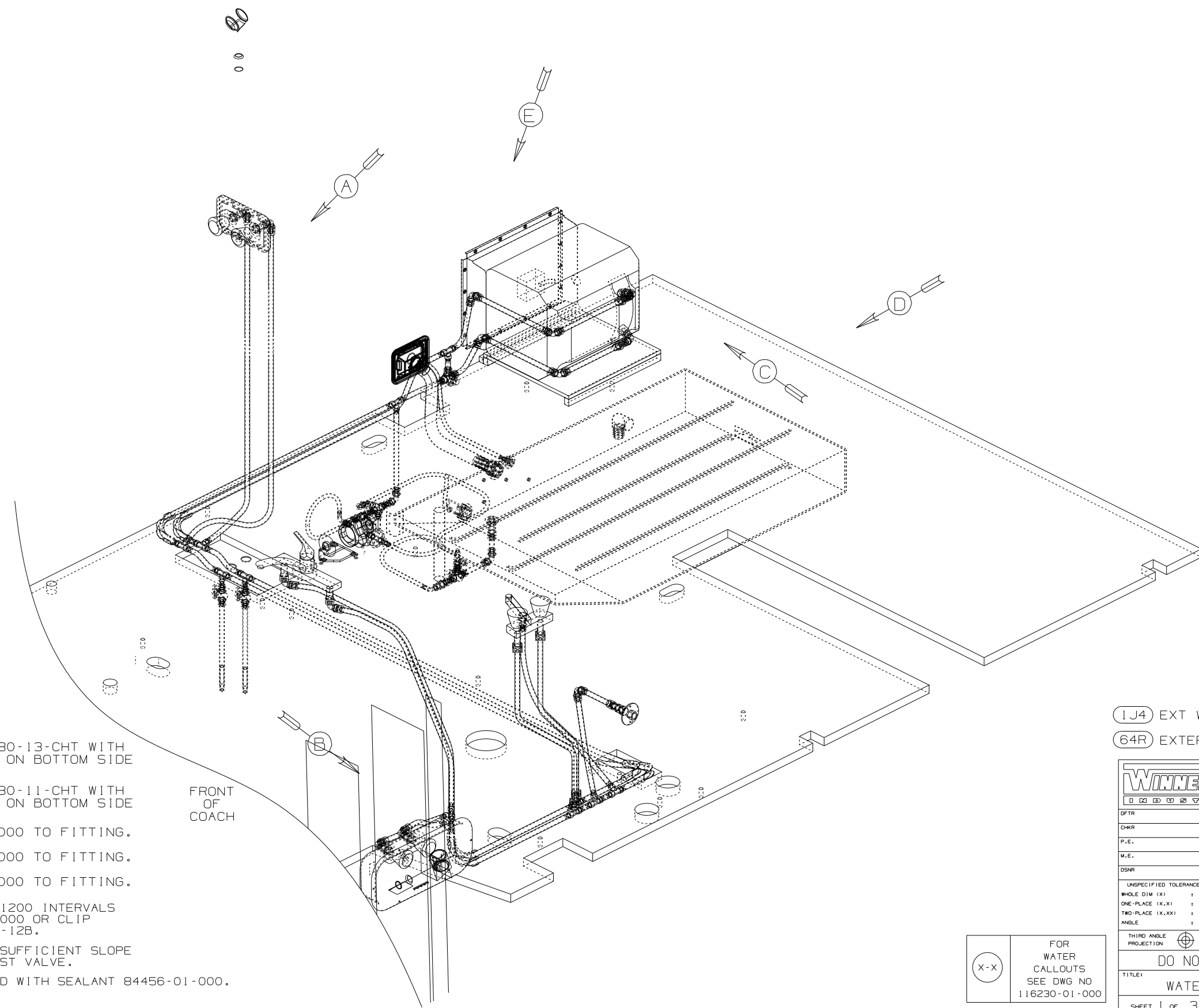


VIEW E-E



VIEW C

FIRST USED	02 329B
DO NOT SCALE DRAWING	
TITLE	DRAINAGE SYSTEM INSTL
SHEET 3	PART NO 138457



- 8 ATTACH WASHER-PLASTIC 87080-13-CHT WITH TAPE-DOUBLE 123816-03-000 ON BOTTOM SIDE OF LOWER FLOOR.
- 7 ATTACH WASHER-PLASTIC 87080-11-CHT WITH TAPE-DOUBLE 123816-03-000 ON BOTTOM SIDE OF COMPARTMENT.
- 6 ADD TEFLON TAPE 10405-01-000 TO FITTING.
- 5 ADD TEFLON TAPE 10405-03-000 TO FITTING.
- 4 ADD TEFLON TAPE 10405-02-000 TO FITTING.

FRONT OF COACH

- 3. ALL TUBING TO BE SECURED AT 1200 INTERVALS MAXIMUM WITH CLAMP 10495-01-000 OR CLIP 9151-01-000 AND SCREW G67-10-12B.
- 2. TUBING TO BE INSTALLED WITH SUFFICIENT SLOPE TO PROVIDE DRAINAGE TO NEAREST VALVE.
- 1. PLASTIC FITTINGS TO BE SEALED WITH SEALANT 84456-01-000.

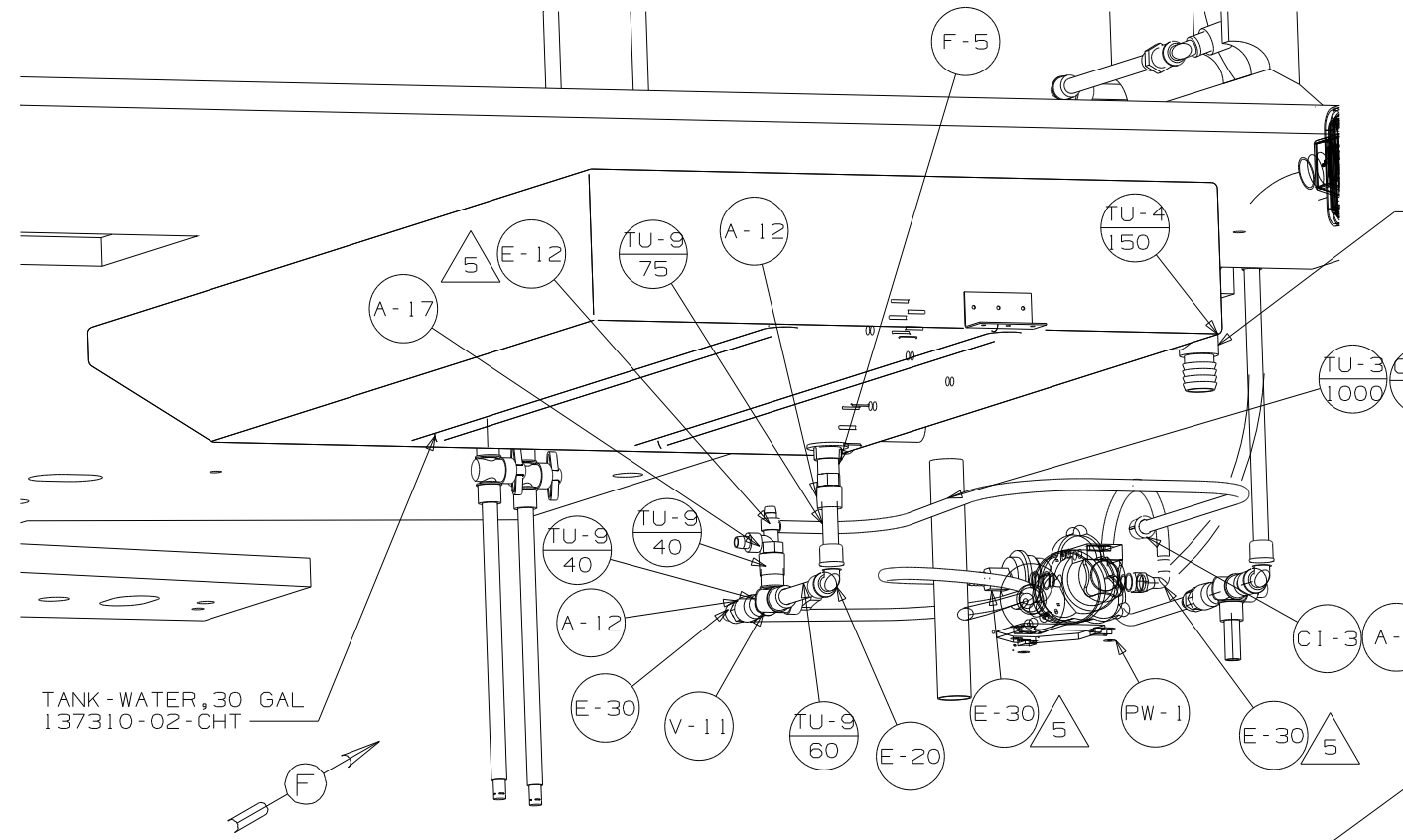
NOTES:

- 1J4 EXT WASH STATION W/O
- 64R EXTERIOR WASH STATION

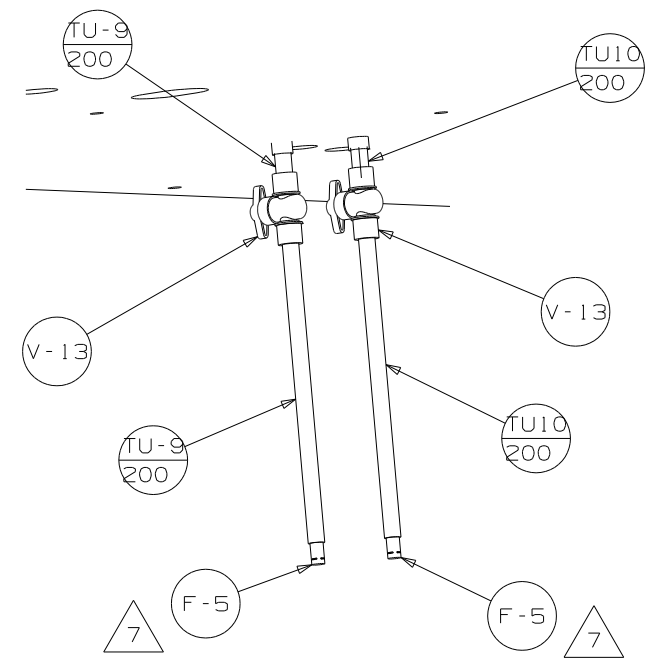
<b>WINNEBAGO</b>		COPYRIGHT 2002 WINNEBAGO INDUSTRIES, INC.	
DFTR	ORIG. DATE	ALL DIMENSIONS ARE IN MILLIMETERS	
CHKR		FIRST USED	
P.E.		02 329B	
M.E.		UNSPECIFIED TOLERANCES ARE:	
DSNR		MATERIAL:	
		WHOLE DIM (X)	: 7
		ONE-PLACE (X.X)	:
		TWO-PLACE (X.XX)	:
		ANGLE	:
THIRD ANGLE PROJECTION		DO NOT SCALE DRAWING	
TITLE: WATER SYSTEM INSTL			
SHEET 1 OF 3		PART NO 138452	

FOR WATER CALLOUTS SEE DWG NO 116230-01-000

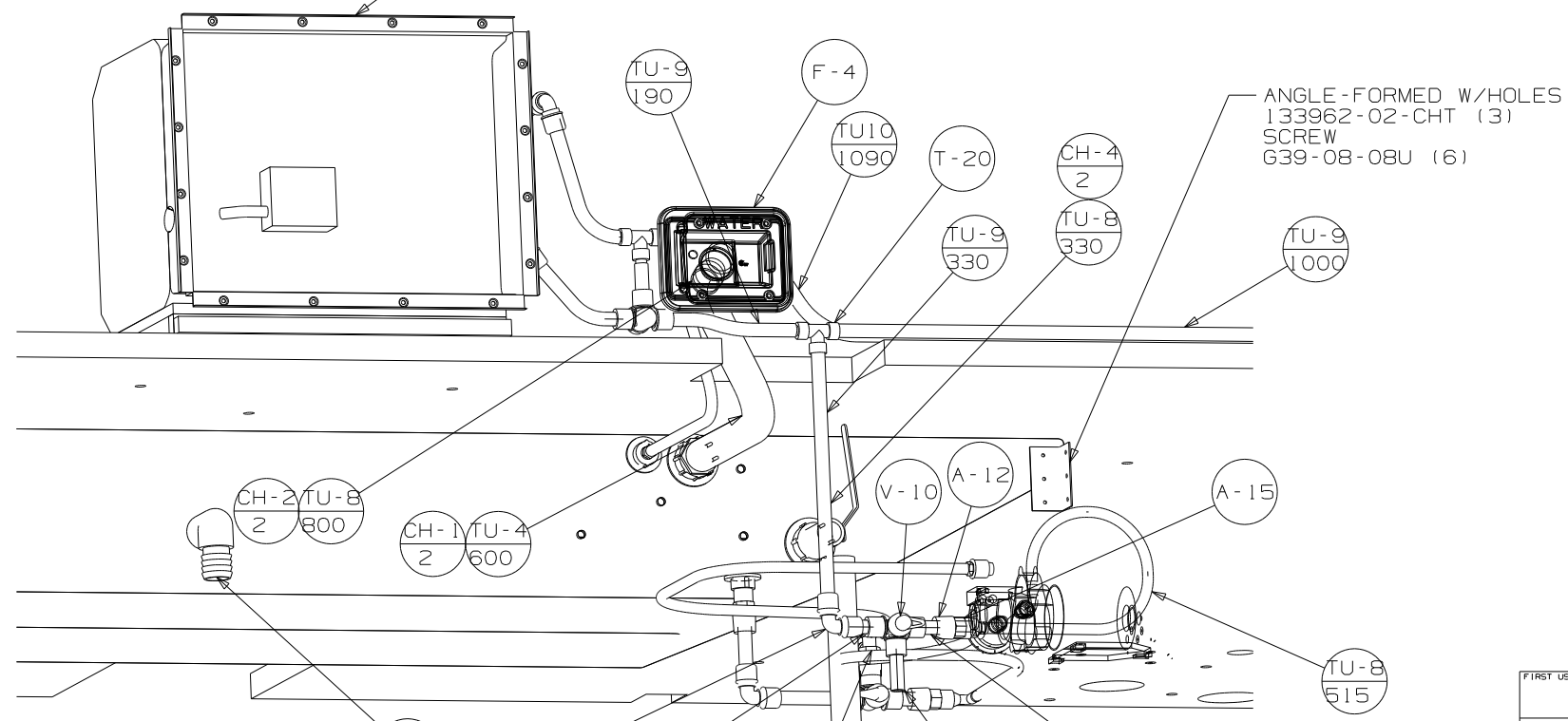




VIEW D



VIEW F



VIEW E

- VALVE 132483-01-000
- ELBOW 132782-01-000
- WATER HEATER 51391-03-000
- DOOR 78506-01-CHT
- AL EXTR 2726-01-210 (2)
- 2726-01-212 (2)
- SCREW G39-10-169 (18)
- SEALANT

- ANGLE-FORMED W/HOLES 133962-02-CHT (3)
- SCREW G39-08-08U (6)

TANK - WATER, 30 GAL 137310-02-CHT

FIRST USED	02 329B
DO NOT SCALE DRAWING	
TITLE:	WATER SYSTEM INSTL
SHEET 3	PART NO 138452