



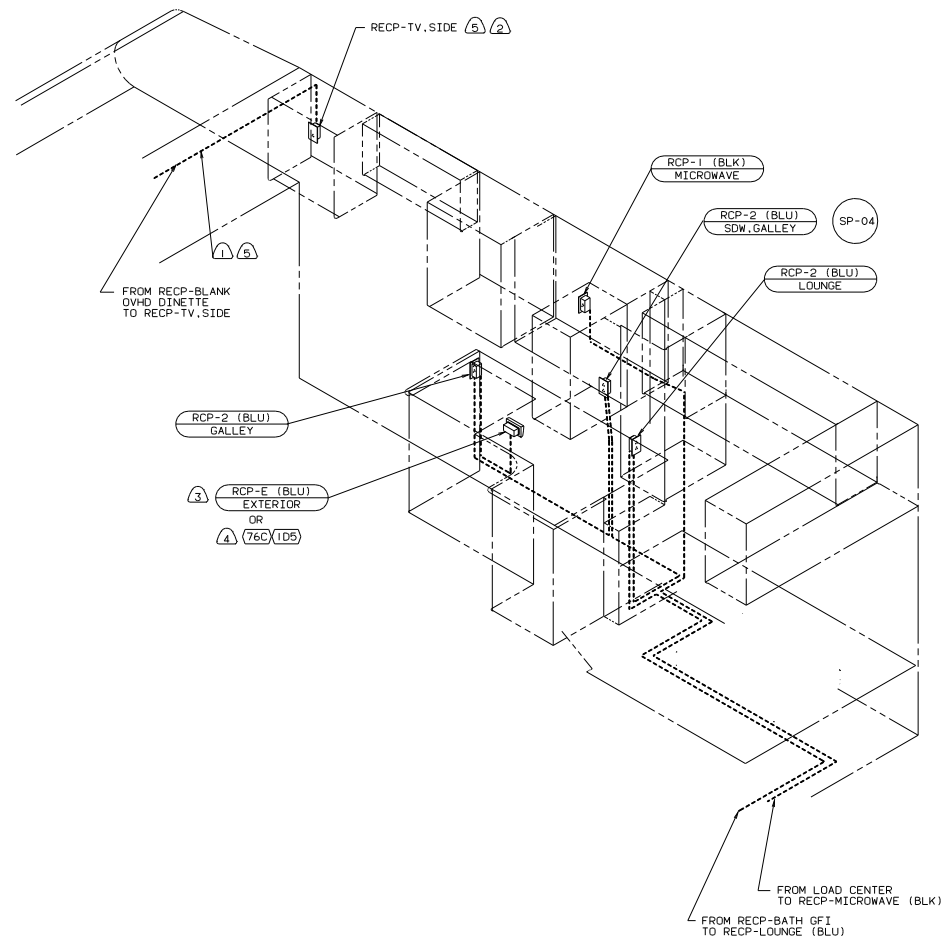
DANGER

Danger of electrical shock, burns or death. Always remove all power sources before attempting any repair, service or diagnostic work. Power can be present from shore power, generator, inverter or battery. All power sources must be disabled and secured before performing any service.



CAUTION

If you lack the skills, tools or equipment to perform diagnostic or repair work leave such work to an authorized Winnebago Industries dealer or other qualified shop.



- (5) NOT USED WITH (1H3) (78A)
- (4) SEE ENTERTAINMENT CENTER COMPL FOR ADDITIONAL INFORMATION.
- (3) NOT USED WITH (76C) OR (1D5)
- (2) SEE WIRING INSTL-SIDE TV FOR ADDITIONAL INFORMATION.
- (1) WIRE ROUTED IN ROOF.

- (265) CODES/STANDARDS-CSA/CMVSS
- (78A) TV-13" W/VCP-12V
- (76C) ENTERTAINMNT CTR/EXT CASSETTE
- (49X) BED-QUEEN - BACKWALL
- (12D) ELECTRICAL SYSTEM 30 AMP
- (1B1) CODES/STANDARDS USA
- (1H3) TV-25"/VIDEO SEL/SGL BUNK
- (1D5) ENTERTAINMENT CENTR/EXT W/CD

NOTES:

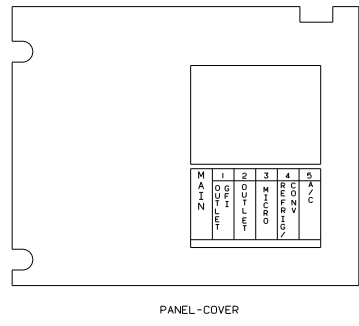
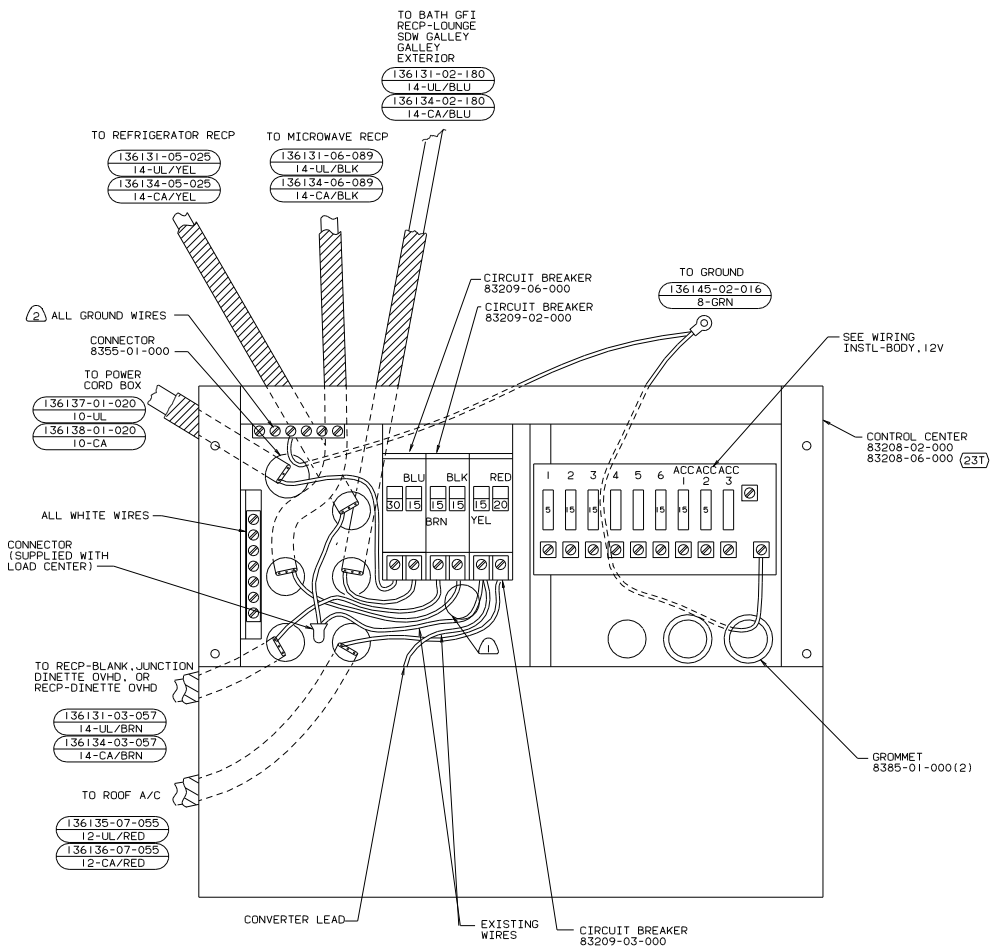
FOR ELECTRICAL TORQUE SPECIFICATIONS SEE DWG NO. 128783-01-000

FOR ELECTRICAL CALLOUTS SEE DWG NO. 121339-01-000



(1B1)(265)(12D)(49X) 02 324V RIGHT SIDE

WIRING INSTL-BODY 110V (RH)
 SHEET 2 OF 3 I/E NO 138484



- NOTES:
- Ⓜ ALL GROUND WIRES TO BE COVERED WITH TUBING 8041-02-000.
 - ⚠ ATTACH WIRES TO BACK SIDE OF LOAD CENTER WITH WIRE TIE 116673-01-000

- (265) CODES/STANDARDS-CSA/CMVSS
- (23T) HEATED HOLDING TANKS-PACKAGE
- (29D) A/C ROOF-ONE 13,500 BTU
- (12D) ELECTRICAL SYSTEM 30 AMP
- (1B1) CODES/STANDARDS USA

FOR ELECTRICAL
TORQUE
SPECIFICATIONS
SEE DWG NO.
128783-01-000

FOR
ELECTRICAL
CALLOUTS
SEE DWG NO.
121339-01-000

(1B1)(265) 02 324V
LOAD CENTER

WIRING INSTL-BODY.110V (LC)
SHEET 3 OF 3