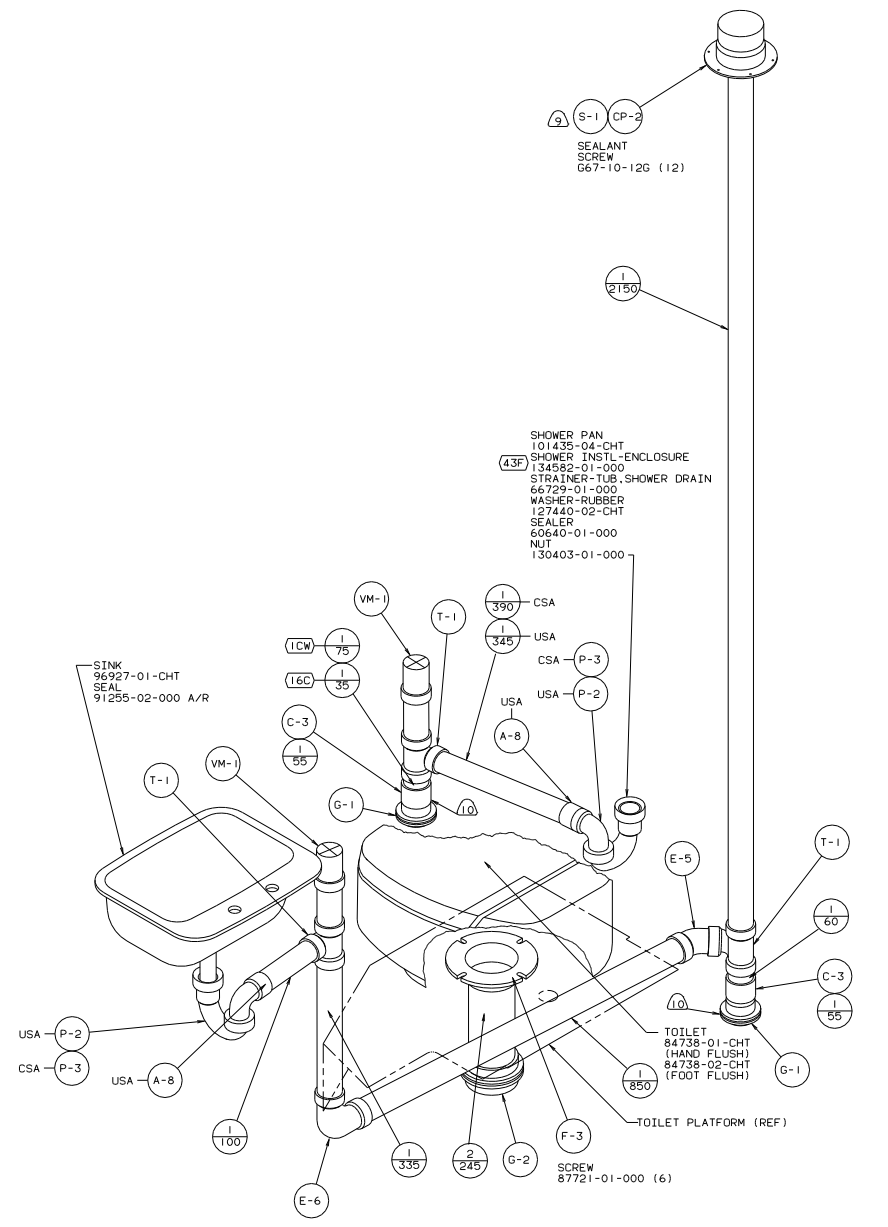


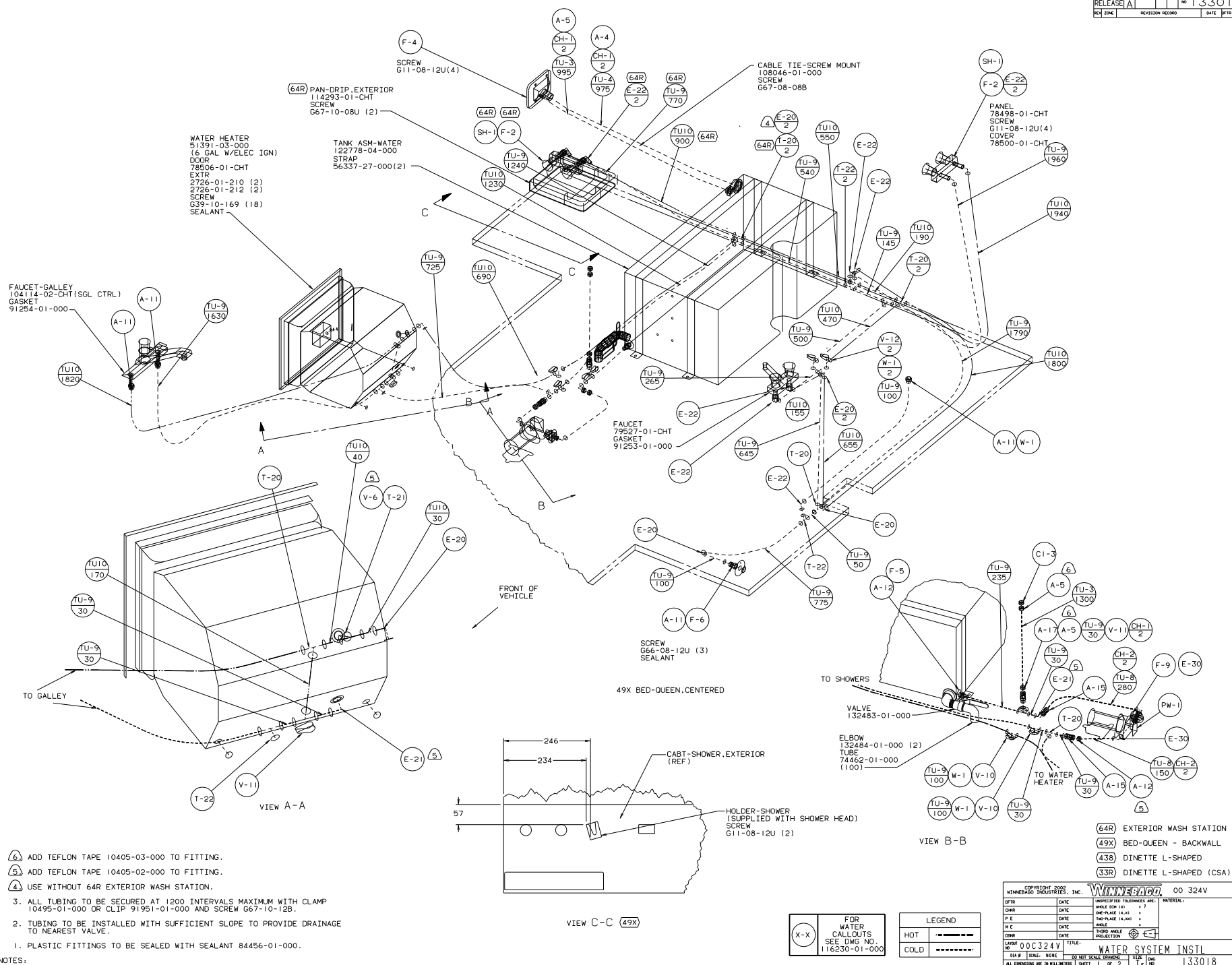
VIEW D-D



DETAIL C

- SHOWER PAN 101435-04-CHT
- SHOWER INSTL-ENCLOSURE 134582-01-000
- STRAINER-TUB, SHOWER DRAIN 64729-01-000
- WASHER-RUBBER 127440-02-CHT
- SEALER 60640-01-000
- NUT 130403-01-000

- SINK 96927-01-CHT
- SEAL 91295-02-000 A/R



- NOTES:
1. PLASTIC FITTINGS TO BE SEALED WITH SEALANT 84456-01-000.
 2. TUBING TO BE INSTALLED WITH SUFFICIENT SLOPE TO PROVIDE DRAINAGE TO NEAREST VALVE.
 3. ALL TUBING TO BE SECURED AT 1200 INTERVALS MAXIMUM WITH CLAMP 10495-01-000 OR CLIP 91951-01-000 AND SCREW G67-10-12B.
- (A) ADD TEFLON TAPE 10405-03-000 TO FITTING.
 (B) ADD TEFLON TAPE 10405-02-000 TO FITTING.
 (C) USE WITHOUT 64R EXTERIOR WASH STATION.

VIEW C-C (49X)

VIEW B-B

VIEW A-A

- (64R) EXTERIOR WASH STATION
- (49X) BED-QUEEN - BACKWALL
- (438) DINETTE L-SHAPED
- (33R) DINETTE L-SHAPED (CSA)

(X-X) FOR WATER CALLOUTS SEE DWG NO. 116230-01-000

LEGEND	
HOT	----
COLD	-----

WIPAC INDUSTRIES, INC. WIPAC 00 324V
 00C324V WATER SYSTEM INSTL
 133018

DATE	BY	REVISION

SHEET 1 OF 2
 REF: 129954 D 1

