



**DANGER**

**Danger of electrical shock, burns or death.** Always remove all power sources before attempting any repair, service or diagnostic work. Power can be present from shore power, generator, inverter or battery. All power sources must be disabled and secured before performing any service.

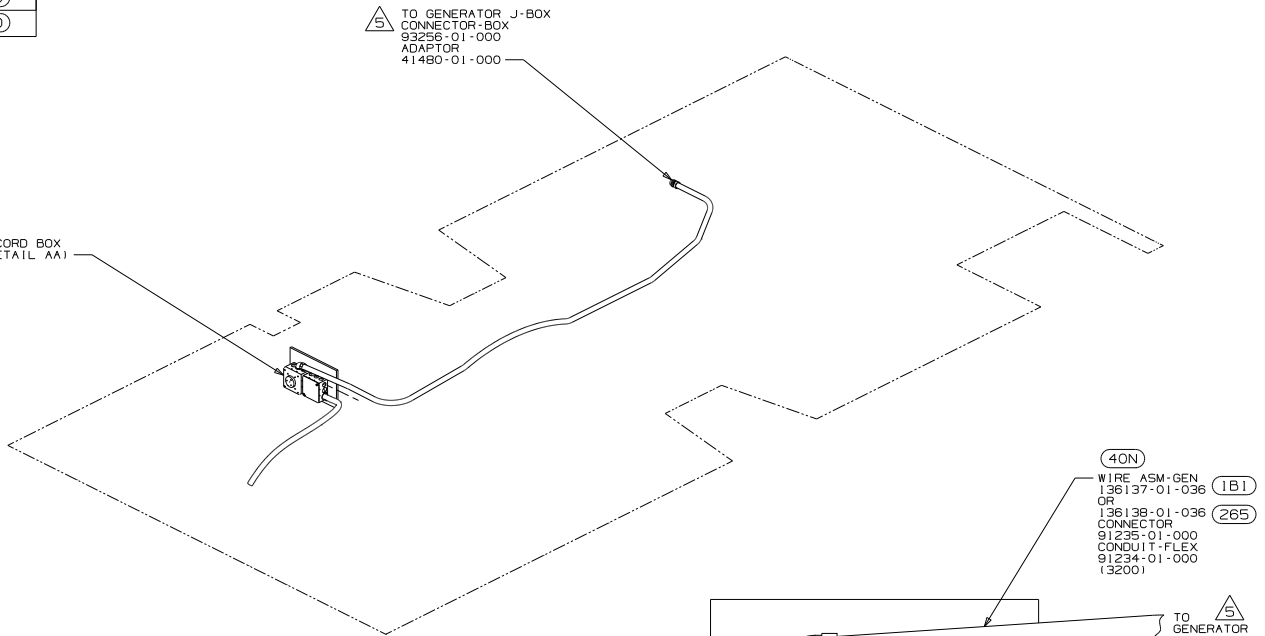


**CAUTION**

If you lack the skills, tools or equipment to perform diagnostic or repair work leave such work to an authorized Winnebago Industries dealer or other qualified shop.

DWG NO	FEATURE
137265-01	
137265-11	(1B1) (12D)
137265-15	(265) (12D)

REV	ZONE	REVISION RECORD	DATE	DRW NO	137265
-----	------	-----------------	------	--------	--------



DETAIL AA

- (12D) ELECTRICAL SYSTEM 30 AMP
- (40N) GEN-4,OKW-ONAN-GAS-MICROLITE
- (265) CODES/STANDARDS-CSA/CMVSS
- (1B1) CODES/STANDARDS USA

- 6 DELETED PAINT NOTE,2/21/01.
- 5 SEE GENERATOR INSTALLATION FOR ADDITIONAL INFORMATION.
- 4 INSTALL RECP WITH GROUND TOWARD OUTBOARD SIDE OF VEHICLE.
3. ALL GROUND WIRES TO BE COVERED WITH TUBING 8041-02-000.
2. ALL 110V WIRES ARE TO BE CLAMPED WITH CLAMP 10497-05-000 WITHIN 200 OF OUTLET BOXES.USE SCREW G67-10-12B.
1. ALL WIRES TO BE SECURED WITH CLAMP 10495-01-000 OR CLIP 80734-01-000 EVERY 600MM. USE SCREW G67-10-12B UNLESS OTHERWISE SPECIFIED.

NOTES:

FOR ELECTRICAL TORQUE SPECIFICATIONS SEE DWG NO. 128793-01-000

FOR ELECTRICAL CALLOUTS SEE DWG NO. 121339-01-000

**WINNERBAGO**

DRW ORG. DATE 11/29/00

DRW ALL DIMENSIONS ARE IN MILLIMETERS

P.E. \_\_\_\_\_

V.E. \_\_\_\_\_

DRW PART USED 02 324F

UNSPECIFIED TOLERANCES ARE: MATERIAL:

HOLES DIA (X)	+ .1
ONE-PLACE (X,XX)	+ 1.5
TWO-PLACE (X,XX)	+ 0.50
FINISH	+ .1"

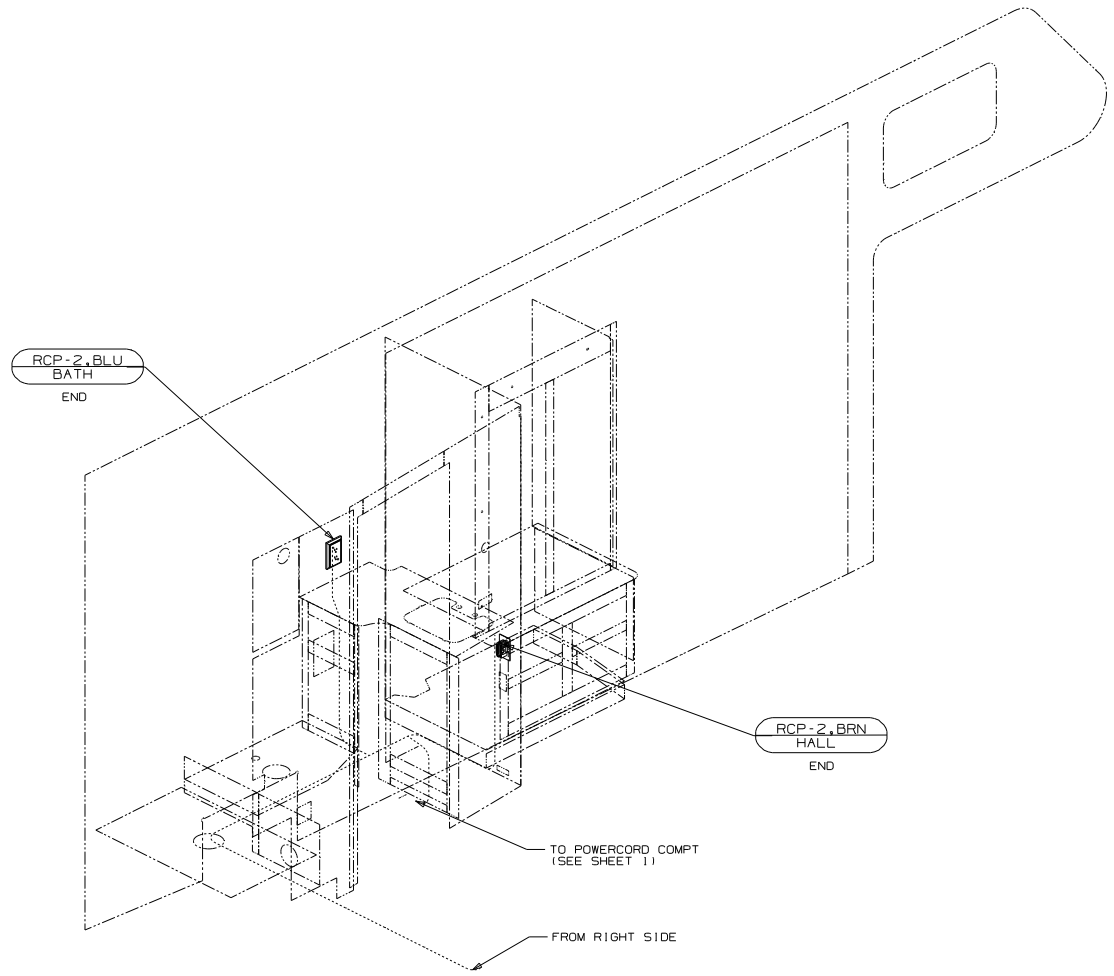
THIRD ANGLE PROJECTION

DO NOT SCALE DRAWING

TITLE: WIRING INSTL-BODY,110V

SHEET 1 of 4 PART NO 137265

REF: 1 PAGE 63



- 3. ALL GROUND WIRES TO BE COVERED WITH TUBING 8041-02-000.
- 2. ALL WIRING TO BE SECURED WITHIN 200 OF OUTLET BOXES.
- 1. ALL WIRES TO BE CLAMPED WITH CLAMP 10495-01-000 OR CLIP 80734-01-000 EVERY 1200. USE SCREW G67-10-12B UNLESS OTHERWISE SPECIFIED.

NOTES:

- 265 CODES/STANDARDS-CSA/CMVSS
- 120 ELECTRICAL SYSTEM 30 AMP
- 1B1 CODES/STANDARDS USA
- 1B1 265 120

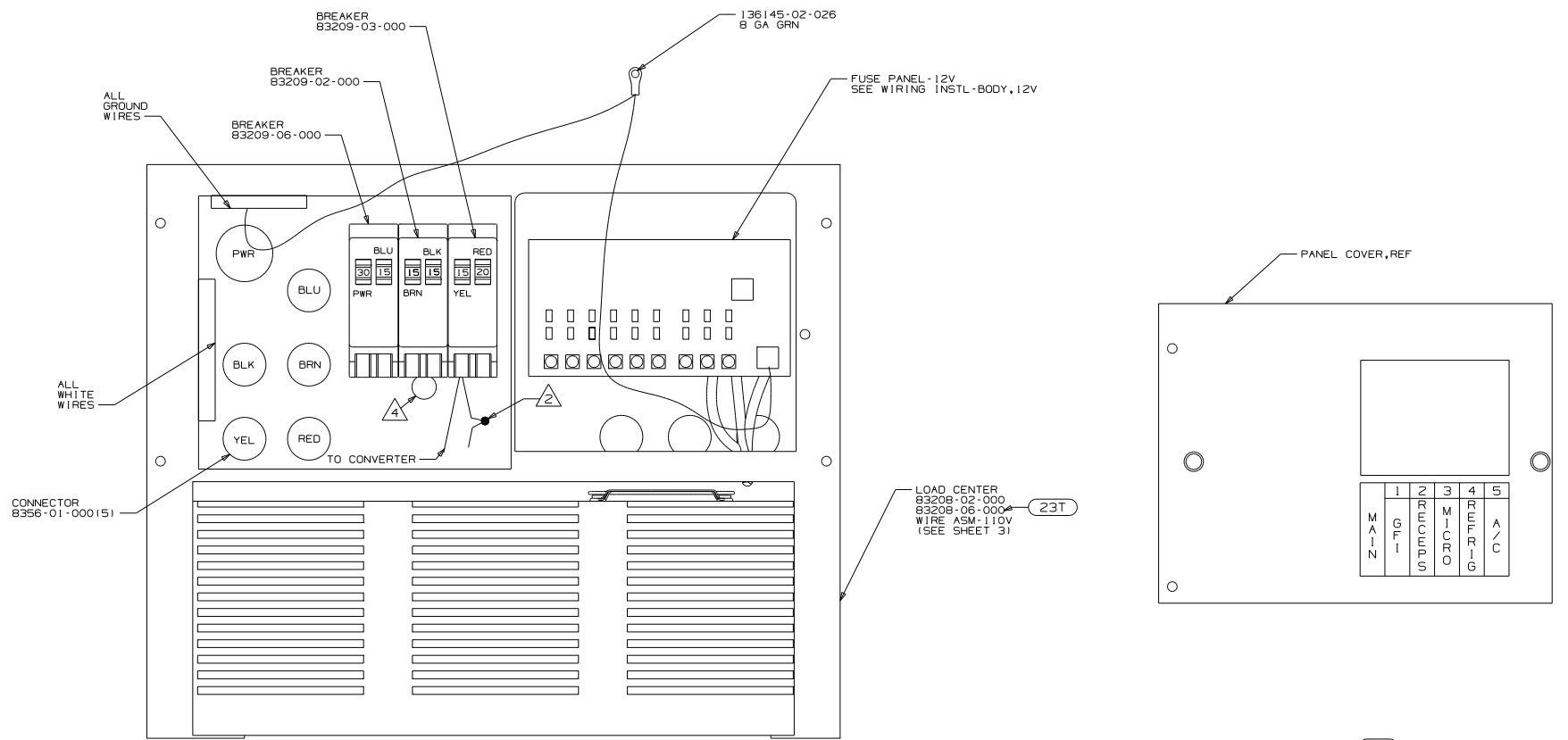
FIRST ORG		02 324F	
DO NOT SCALE DRAWING			
TITLE:		WIRING INSTL-BODY,110V	
SHEET 2	PART NO	137265	

FOR ELECTRICAL TORQUE SPECIFICATIONS SEE DWG NO. 128783-01-000



FOR ELECTRICAL CALLOUTS SEE DWG NO. 121338-01-000





- 1. COVER ALL GROUND WIRES WITH TUBING 8041-02-000.
- 2. MAKE CONNECTION TO PROVIDED CONVERTER LEAD WITH SUPPLIED NUT CONNECTOR.
- 3. SEE WIRING DIAGRAM-BODY,110V FOR CIRCUIT LAYOUTS.
- 4. SECURE WIRE BUNDLE TO LOAD CENTER- BACK SIDE- WITH WIRE TIE 116673-01-000, USING EXISTING HOLE.

FOR ELECTRICAL TORQUE SPECIFICATIONS SEE DWG NO. 128783-01-000	(X-X)	FOR ELECTRICAL CALLOUTS SEE DWG NO. 121339-01-000
--	-------	---

- (23T) DRAINAGE SYSTEM-HEATED
- (12D) ELECTRICAL SYSTEM-30 AMP
- (265) CODES/STANDARDS-CSA/CMVSS
- (1B1) CODES/STANDARDS-US
- (1B1) (265) (12D)

REVISED	02 324F
DO NOT SCALE DRAWING	
WIRING INSTL-BODY,110V	
SHEET 4	PART NO 137265