

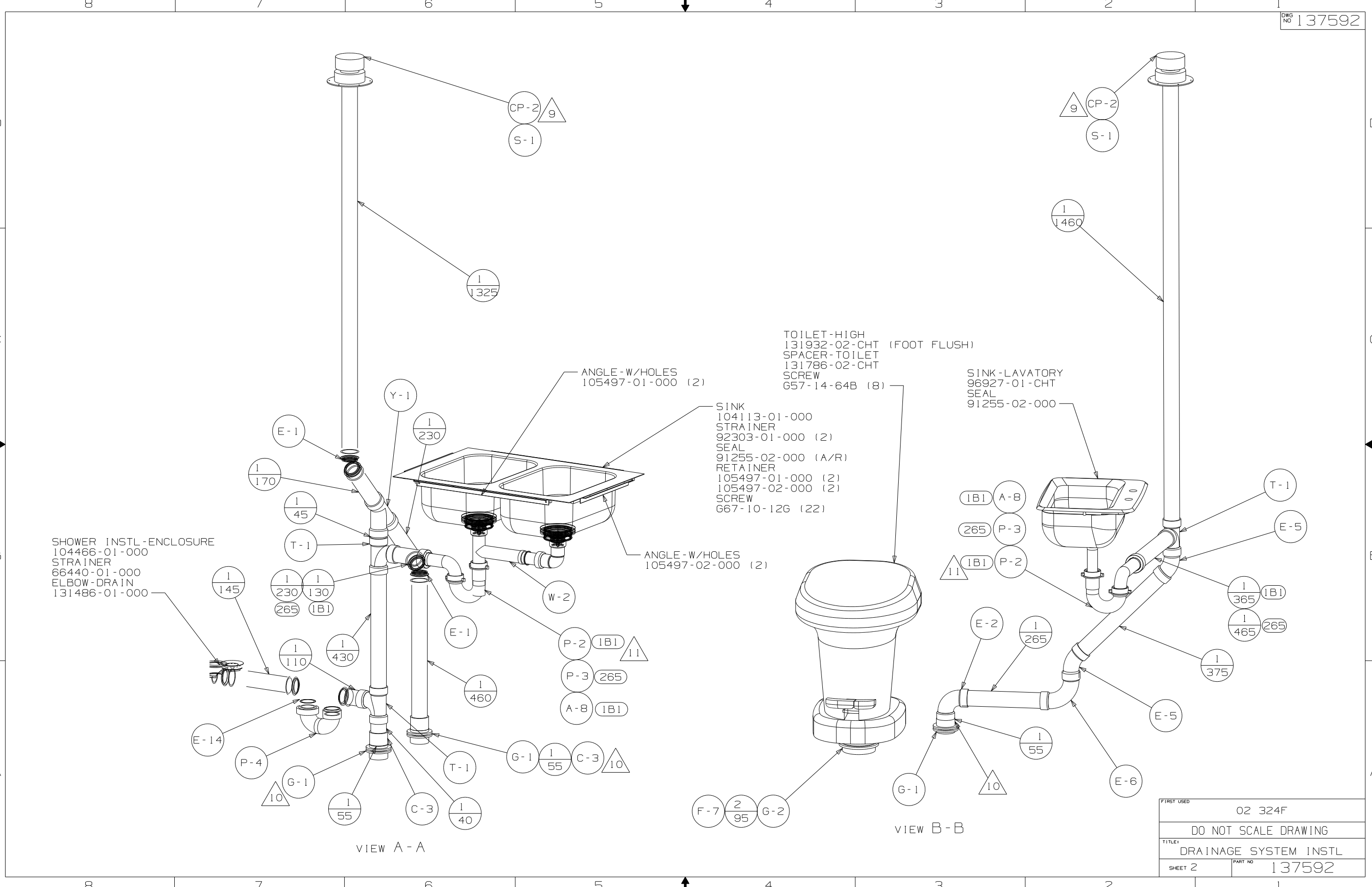
- 1. TRIM P-TARP EXTENSION TO FIT.
 - 10. SECURE VENT TUBES TO FLOOR WITH CLAMP 62401-02-000 (2) AND SCREW G67-10-12B (2), BRACKET 136878-01-CHT
 - 9. VENT PIPE MUST PROJECT 51 MM MIN AND 64 MM MAX ABOVE ROOF FOR PROPER FIT AND FUNCTION.
8. SEE DRAWING 61607-01-000 FOR INSTL OF GROMMETS.
 7. SEAL ALL AROUND SHOWER WITH SILICONE.
 6. FOR CANADIAN UNITS EACH HOLDING TANK SHALL HAVE A CSA APPROVAL STAMPED NEAR THE IAMPO APPROVAL.
 5. SECURE PIPES TO CABINET USING WIRE TIE 108046-02-000 AND SCREW G67-10-12B (8).
 4. ALL EXTERIOR OPENINGS AROUND PIPE TO BE SEALED WITH 110744-01-000.
 3. ALL PIPE AND FITTINGS TO BE ASSEMBLED WITH SOLVENT 4020-01-000.
 2. SLOPE OF TRAP ARM MUST BE 6 PER 305.
 1. SLOPE OF HORIZONTAL PIPING TO BE 6 PER 305 MIN.

- (23T) HEATED HOLDING TANKS-PACKAGE
- (265) CODES/STDS-CSA/CMVSS
- (1B1) CODES/STANDARDS-USA

FOR DRAINAGE CALLOUTS SEE DWG NO. 116229-01-000

WINNEBAGO		COPYRIGHT 2002 WINNEBAGO INDUSTRIES, INC.	
DFTR	ORIG. DATE	ALL DIMENSIONS ARE IN MILLIMETERS	
CHKR		FIRST USED	
P.E.		02 324F	
M.E.		UNSPECIFIED TOLERANCES ARE:	
DSNR		MATERIAL:	
		WHOLE DIM (X) :	3
		ONE-PLACE (X.X) :	
		TWO-PLACE (X.XX) :	
		ANGLE :	
		THIRD ANGLE PROJECTION	
DO NOT SCALE DRAWING			
TITLE: DRAINAGE SYSTEM INSTL			
SHEET 1 OF 3	PART NO	137592	

NOTES:



SHOWER INSTL-ENCLOSURE
 104466-01-000
 STRAINER
 66440-01-000
 ELBOW-DRAIN
 131486-01-000

TOILET-HIGH
 131932-02-CHT (FOOT FLUSH)
 SPACER-TOILET
 131786-02-CHT
 SCREW
 G57-14-64B (8)

SINK-LAVATORY
 96927-01-CHT
 SEAL
 91255-02-000

SINK
 104113-01-000
 STRAINER
 92303-01-000 (2)
 SEAL
 91255-02-000 (A/R)
 RETAINER
 105497-01-000 (2)
 105497-02-000 (2)
 SCREW
 G67-10-12G (22)

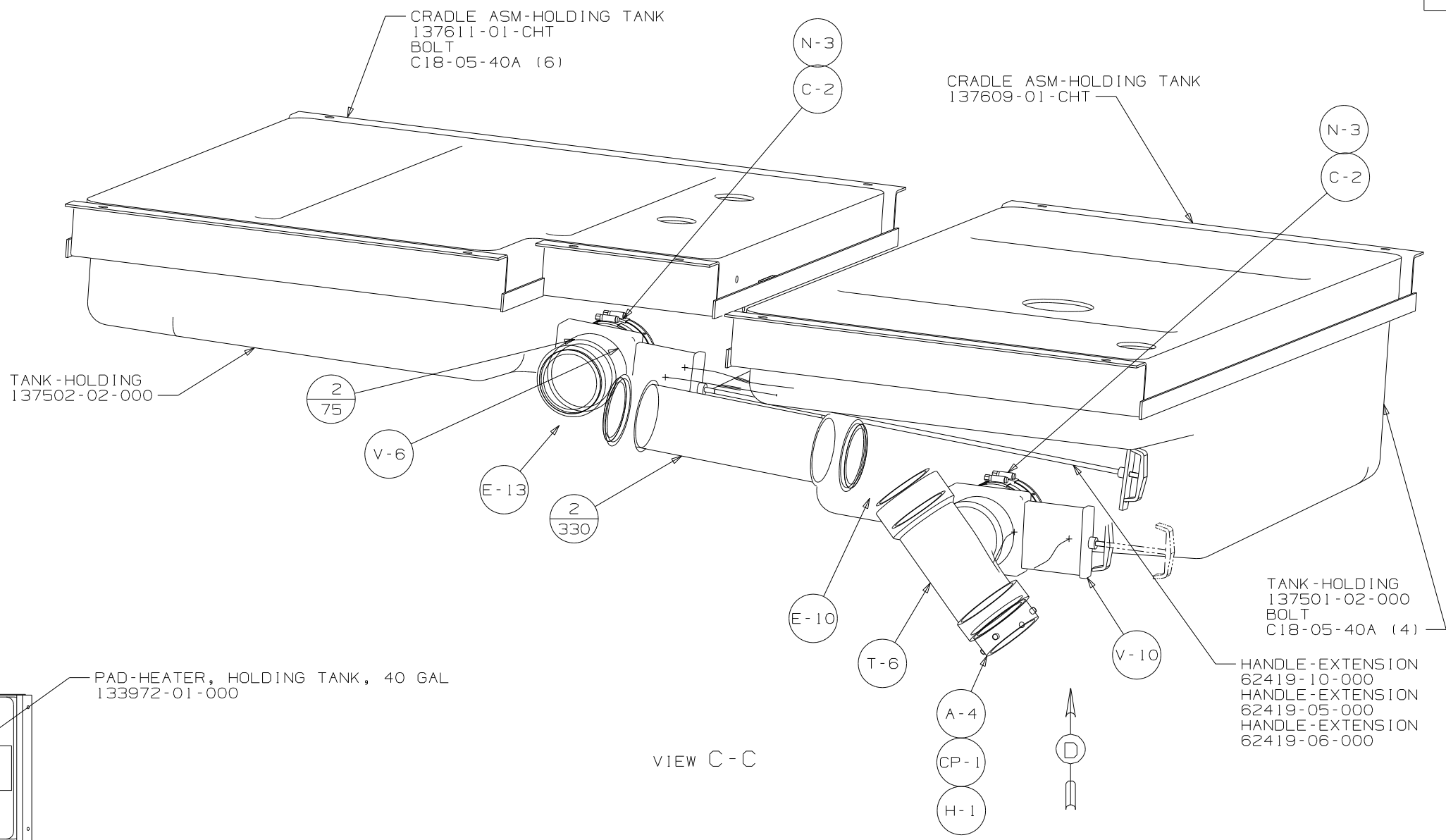
ANGLE-W/HOLES
 105497-01-000 (2)

ANGLE-W/HOLES
 105497-02-000 (2)

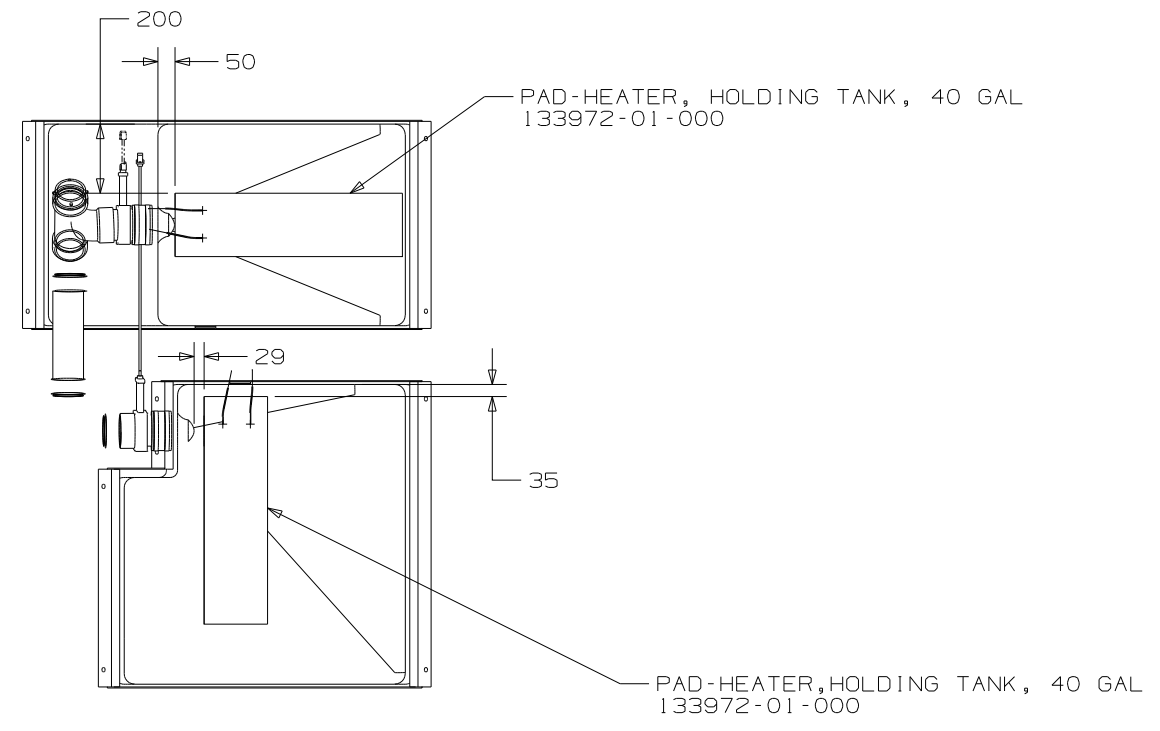
VIEW A-A

VIEW B-B

FIRST USED	02 324F
DO NOT SCALE DRAWING	
TITLE	DRAINAGE SYSTEM INSTL
SHEET 2	PART NO 137592

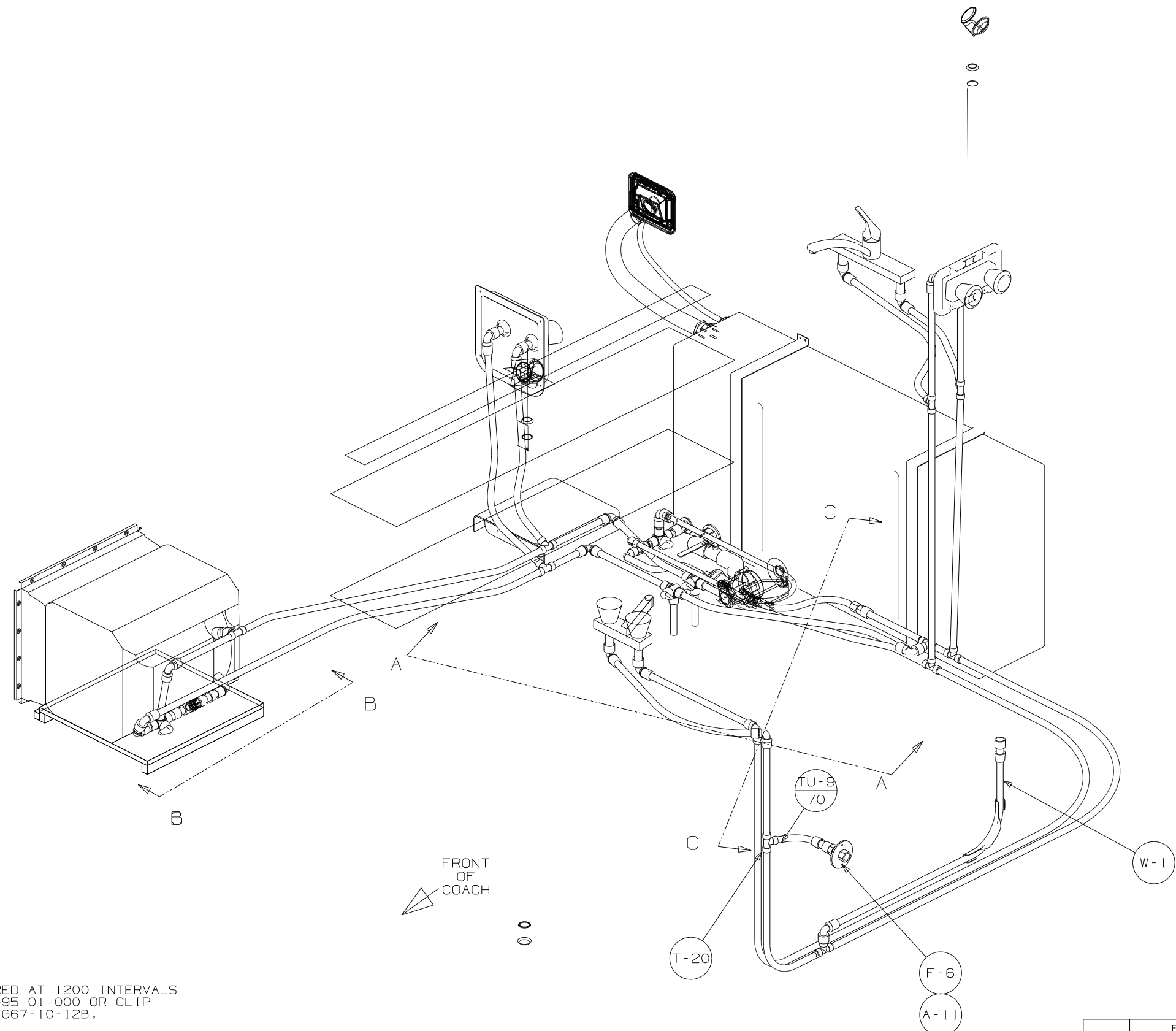


VIEW C-C



VIEW D

FIRST USED	02 324F
TITLE	DO NOT SCALE DRAWING
	DRAINAGE SYSTEM INSTL
SHEET 3	PART NO 137592



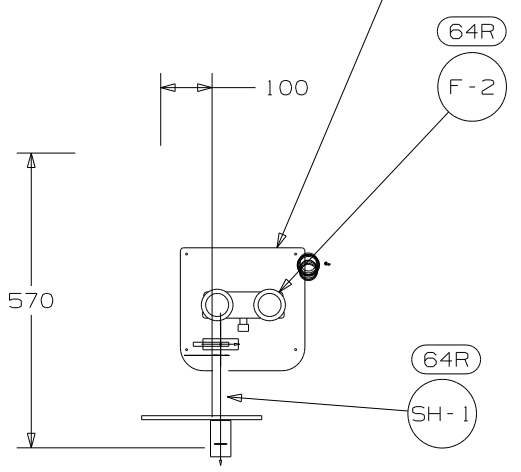
- NOTES:
1. PLASTIC FITTINGS TO BE SEALED WITH SEALANT 84456-01-000.
 2. TUBING TO BE INSTALLED WITH SUFFICIENT SLOPE TO PROVIDE DRAINAGE TO NEAREST VALVE.
 3. ALL TUBING TO BE SECURED AT 1200 INTERVALS MAXIMUM WITH CLAMP 10495-01-000 OR CLIP 9151-01-000 AND SCREW 667-10-12B.

- 1J4 EXT WASH STATION W/O
- 64R EXTERIOR WASH STATION

WINNEBAGO		COPYRIGHT 2002 WINNEBAGO INDUSTRIES, INC.	
DFTR	ORIG. DATE	ALL DIMENSIONS ARE IN MILLIMETERS	
CHKR		FIRST USED	
P.E.		02 324F	
M.E.		UNSPECIFIED TOLERANCES ARE:	
DSNR		MATERIAL:	
		WHOLE DIM (X)	: 1
		ONE-PLACE (X.X)	: 1.5
		TWO-PLACE (X.XX)	: 0.50
		ANGLE	:
THIRD ANGLE PROJECTION		DO NOT SCALE DRAWING	
TITLE:		WATER SYSTEM INSTL	
SHEET 1 OF 3	PART NO	137735	
REF:	1		

(X-X)
FOR WATER CALLOUTS SEE DWG NO 116230-01-000

SHOWER-SPACER (64R)
139682-01-CHT
SCREW
G67-10-08U(4)



PAN DRIP, EXTERIOR (64R)
114293-01-CHT
SCREW
G67-10-08U(2)

VIEW D

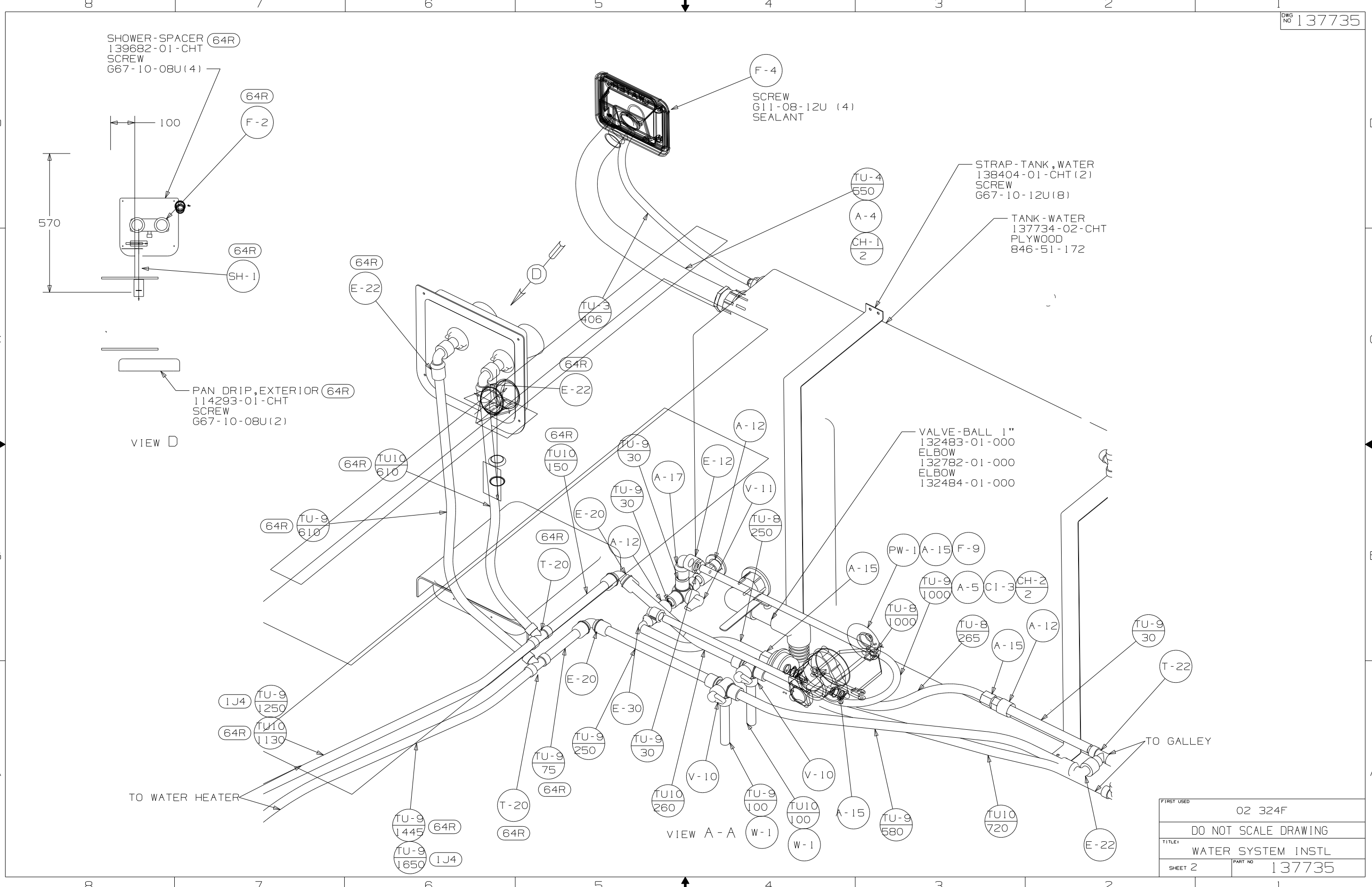
F-4
SCREW
G11-08-12U (4)
SEALANT

STRAP-TANK, WATER
138404-01-CHT (2)
SCREW
G67-10-12U (8)

TANK-WATER
137734-02-CHT
PLYWOOD
846-51-172

VALVE-BALL 1"
132483-01-000
ELBOW
132782-01-000
ELBOW
132484-01-000

FIRST USED	02 324F
DO NOT SCALE DRAWING	
TITLE	WATER SYSTEM INSTL
SHEET 2	PART NO 137735



VIEW A-A

TO GALLEY

TO WATER HEATER

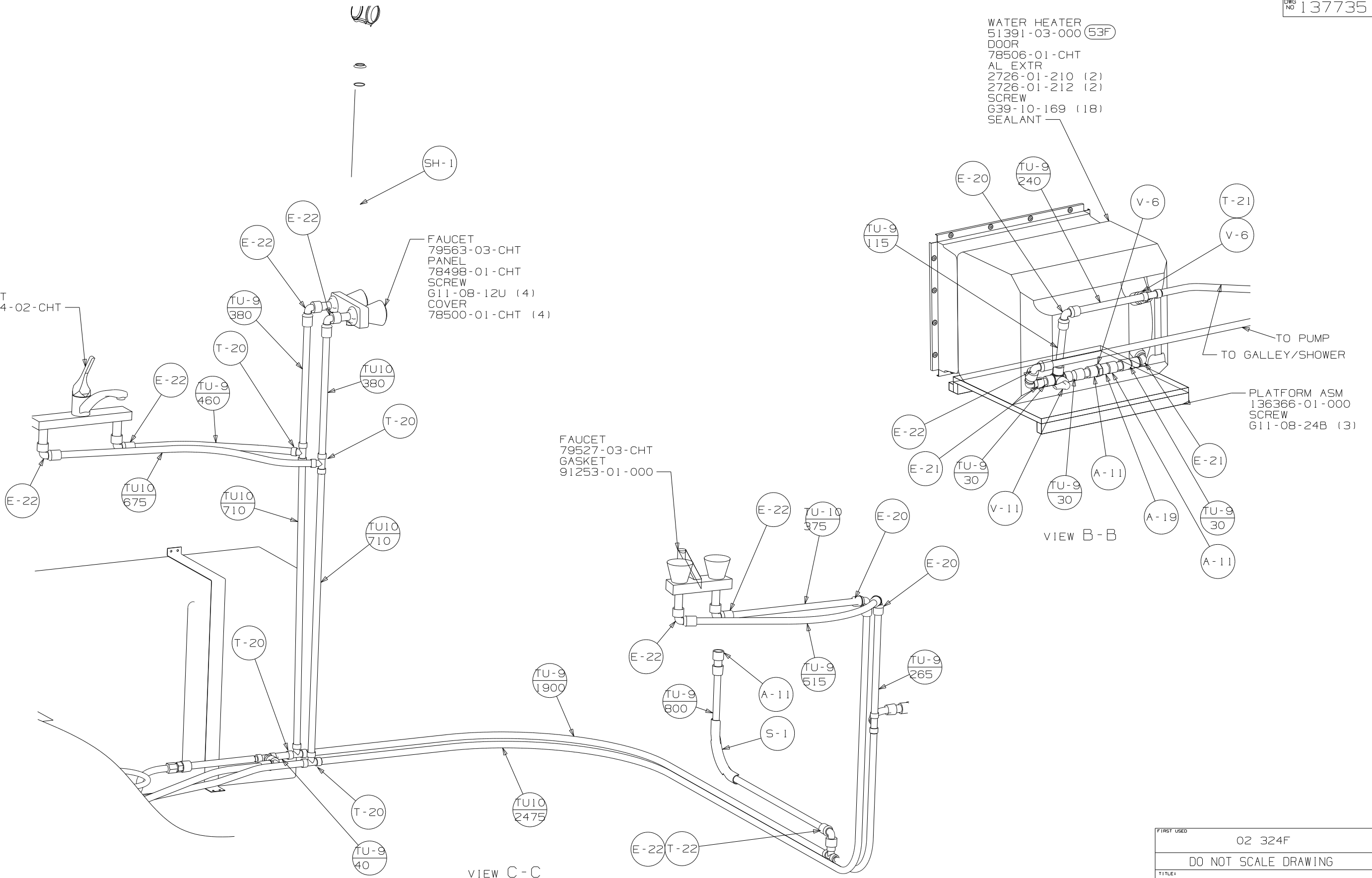
WATER HEATER
51391-03-000 (53F)
DOOR
78506-01-CHT
AL EXTR
2726-01-210 (2)
2726-01-212 (2)
SCREW
G39-10-169 (18)
SEALANT

FAUCET
79563-03-CHT
PANEL
78498-01-CHT
SCREW
G11-08-12U (4)
COVER
78500-01-CHT (4)

FAUCET
79527-03-CHT
GASKET
91253-01-000

PLATFORM ASM
136366-01-000
SCREW
G11-08-24B (3)

FAUCET
104114-02-CHT



VIEW C-C

VIEW B-B

FIRST USED	02 324F
TITLE	DO NOT SCALE DRAWING
SHEET 3	PART NO 137735