



DANGER

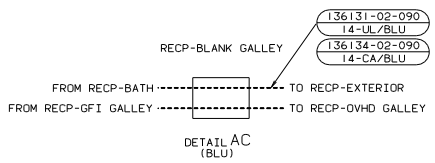
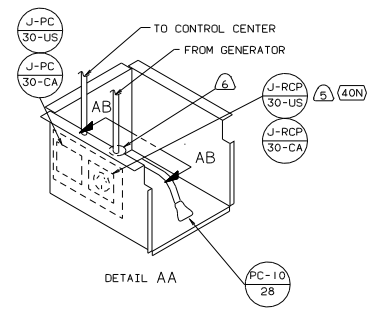
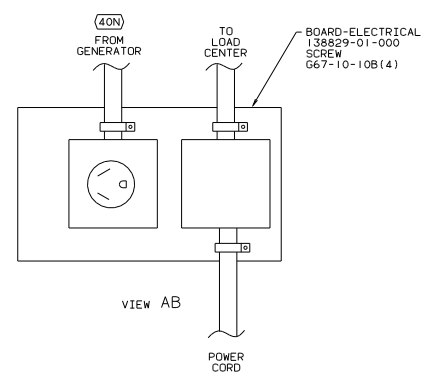
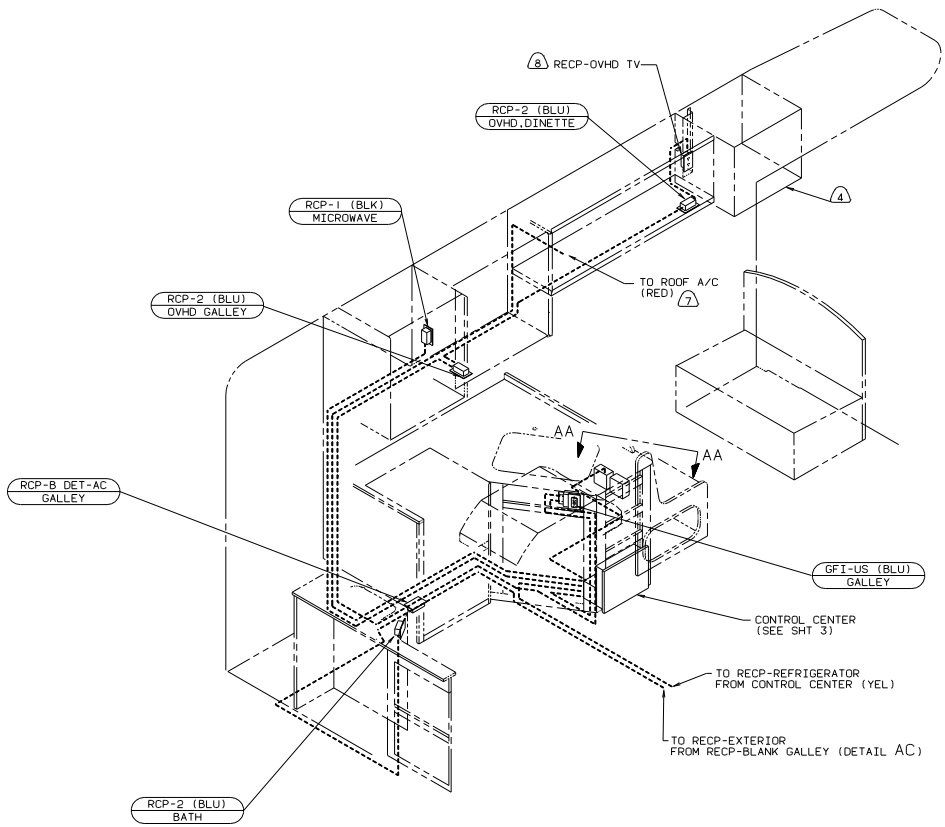
Danger of electrical shock, burns or death. Always remove all power sources before attempting any repair, service or diagnostic work. Power can be present from shore power, generator, inverter or battery. All power sources must be disabled and secured before performing any service.



CAUTION

If you lack the skills, tools or equipment to perform diagnostic or repair work leave such work to an authorized Winnebago Industries dealer or other qualified shop.

DWG NO.	FEATURE
-01	----
-11	(181) (12D)
-15	(265) (12D)



- NOTES:
1. ALL WIRES TO BE SECURED WITH CLAMP 10495-01-000 OR CLIP 80734-01-000 EVERY 1200. USE SCREW G67-10-126 UNLESS OTHERWISE SPECIFIED.
 2. ALL WIRES ARE TO BE SECURED WITH CLAMP 10497-05-000 WITHIN 200 OF OUTLET BOXES. USE SCREW G67-10-126.
 3. ALL GROUND WIRES TO BE COVERED WITH TUBING 8041-02-000.
- (8) NOT USED WITH (78A).
 (7) ROUTE WIRES THROUGH ROOF.
 (6) SEAL WITH BEDDING COMPOUND 69639-01-000.
 (5) INSTALL RECP WITH GROUND TOWARD OUTBOARD SIDE OF VEHICLE.
 (4) SEE WIRING INSTL-TV/VCR. SIDE FOR ADDITIONAL INFORMATION.

- (78A) TV-13" W/VCP-12V
- (40N) GEN-4.0KW-ONAN-GAS-MICROLITE
- (12D) ELECTRICAL SYSTEM 30 AMP
- (265) CODES/STANDARDS-CSA/CMVSS
- (181) CODES/STANDARDS USA

FOR ELECTRICAL TORQUE SPECIFICATIONS SEE DWG NO. 128783-01-000

FOR ELECTRICAL CALLOUTS SEE DWG NO. 121339-01-000

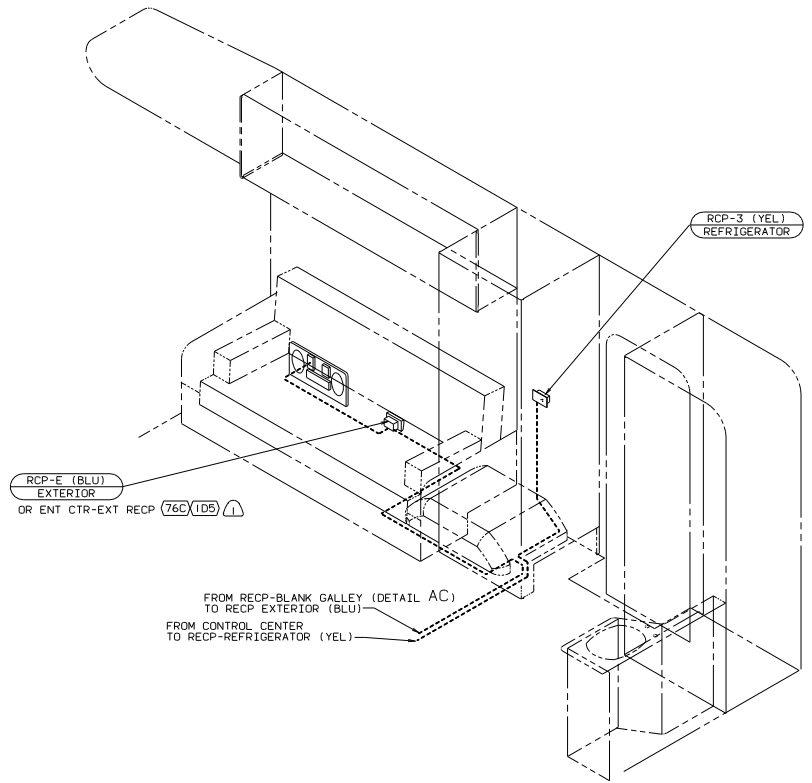
WIRING INSTL-BODY.110V 02 322R

DATE	UNSPECIFIED TOLERANCES ARE:	MATERIAL
DATE	UNLESS SHOWN OTHERWISE	
DATE	0.005 INCH (0.127 MM)	
DATE	0.001 INCH (0.0254 MM)	
DATE	0.0005 INCH (0.0127 MM)	
DATE	0.0002 INCH (0.00508 MM)	

SCALE: NONE DO NOT SCALE DIMENSIONS

WIRING INSTL-BODY.110V 137668

REF: 136476-C | PAGE 38



RCP-E (BLU)
EXTERIOR
OR ENT CTR-EXT RECP (76C/1D5) ⚠

RCP-3 (YEL)
REFRIGERATOR

FROM RECP-BLANK GALLEY (DETAIL AC)
TO RECP-EXTERIOR (BLU)
FROM CONTROL CENTER
TO RECP-REFRIGERATOR (YEL)

- (1D5) ENTERTAINMENT CTR/EXT W/CD
- (76C) ENTERTAINMENT CTR/EXT CASSETTE
- (12D) ELECTRICAL SYSTEM 30 AMP
- (265) CODES/STANDARDS-CSA/CMVSS
- (1B1) CODES/STANDARDS USA

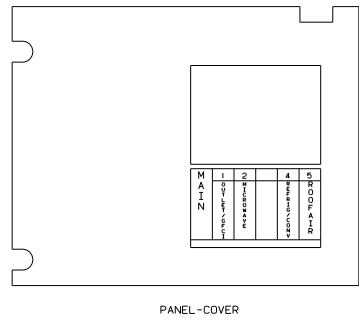
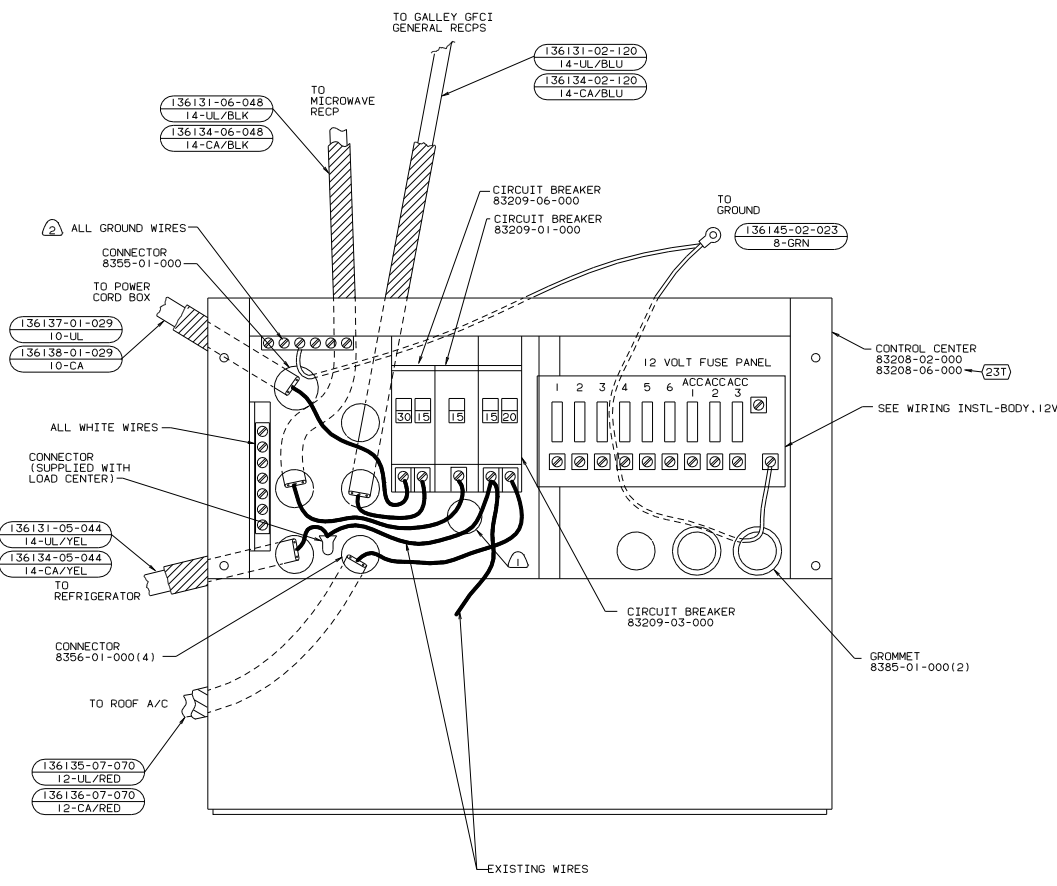
NOTES: ⚠ SEE ENTERTAINMENT CENTER COMPL FOR ADDITIONAL INFORMATION.

FOR ELECTRICAL TORQUE SPECIFICATIONS SEE DWG NO. 128783-01-000

FOR ELECTRICAL CALLOUTS SEE DWG NO. 121339-01-000



TITLE: WIRING INSTL-BODY 110V
DO NOT SCALE DRAWING SHEET 2 OF 3 I.F. NO 137668



NOTES:

(2) ALL GROUND WIRES TO BE COVERED WITH TUBING 8041-02-000.

(1) ATTACH WIRES TO BACK SIDE OF LOAD CENTER WITH WIRE TIE 116673-01-000

(23T) DRAINAGE SYSTEM-HEATED

(12D) ELECTRICAL SYSTEM 30 AMP

(26S) CODES/STANDARDS-CSA/CMVSS

(1B1) CODES/STANDARDS USA

CONTROL CENTER

02 322R

FOR ELECTRICAL TORQUE SPECIFICATIONS SEE DWG NO. 128783-01-000

FOR ELECTRICAL CALL-OUTS SEE DWG NO. 121339-01-000

TITLE: WIRING INSTL-BODY.110V

DO NOT SCALE DIMENSIONS

SHEET 3 OF 3

137668