

- 13 SEE WIRING INSTL-BODY, 12V FOR ELECTRICAL CONNECTIONS.
 - 14 SECURE PIPES TO CABINETS USING WIRE TIE 108046-02-000 AND SCREW G67-10-12U (8).
 - 15 NOT USED WITH 43F SHOWER SURROUND.
 - 16 SECURE DRAIN TUBES TO FLOOR.
 - 17 VENT PIPE MUST PROJECT 51 MM MIN AND 64 MM MAX ABOVE ROOF FOR PROPER FIT AND FUNCTION.
 - 18 SEE DWG 61607-01-000 FOR INSTL OF GROMMETS.
 - 19 SEAL ALL AROUND SHOWER WITH SILICONE 78474-01-000.
 - 6. FOR CANADIAN UNITS EACH HOLDING TANK SHALL HAVE A CSA APPROVAL STAMPED NEAR THE IAMPO APPROVAL.
 - 5. EXPOSED PIPE ABOVE ROOF TO BE PAINTED WITH 37163-01-000.
 - 4. ALL EXTERIOR OPENINGS AROUND PIPE TO BE SEALED WITH 11074-01-000.
 - 3. ALL PIPE AND FITTINGS TO BE ASSEMBLED WITH SOLVENT 4020-01-000.
 - 2. SLOPE OF TRAP ARM MUST BE 6 PER 305.
 - 1. SLOPE OF HORIZONTAL PIPING TO BE 6 PER 305 MIN.
- NOTES:

TOILET-HIGH
 131932-01-000 (HAND FLUSH)
 131932-02-000 (FOOT FLUSH)
 SPACER-TOILET
 131786-02-000
 SCREW
 G57-14-64B (8)

SINK
 104113-01-000
 SEAL
 91255-02-000 (A/R)
 STRAINER
 92303-01-000 (2)
 SEALANT
 ANGLE-SINK RETAINER
 105497-01-000 (2)
 105497-02-000 (2)
 SCREW
 G67-10-12G (22)

TANK-HOLDING
 74861-14-000
 CRADLE ASM
 56076-22-000
 BOLT
 C18-05-96A (4)
 NUT
 D39-05-00B (4)

SHOWER PAN
 104465-01-000 (1)
 SHOWER ENCLOSURE INSTL (43F)
 104466-01-000
 STRAINER
 56440-01-000
 SEALER
 69640-01-000
 WASHER-RUBBER
 127440-02-000
 TAILPIECE
 11069-02-000
 NUT
 130403-01-000

SINK
 96927-01-000
 SEAL
 91255-02-000 (A/R)

TANK-HOLDING
 71271-04-000
 CRADLE ASM
 56076-33-000
 BOLT
 C18-05-96A (4)
 NUT
 D39-05-00B (4)

ANGLE-ROD, T-HANDLE
 109694-02-000
 BEARING-SNAP IN
 68938-03-000

BRACKET
 109695-03-000
 SCREW
 G11-10-16B (2)
 BRACKET
 76827-02-000
 SCREW
 G39-10-12B (2)
 G11-10-16B (2)

(23T) HEATED HOLDING TANKS-PACKAGE
 (43F) SHOWER SURROUND

X-X

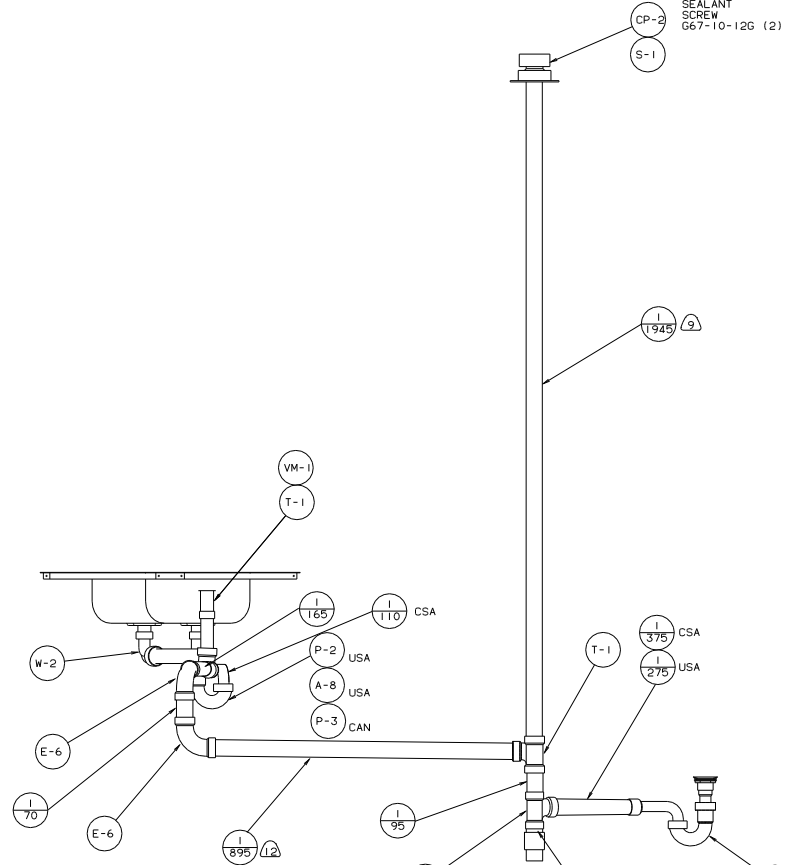
FOR DRAINAGE CALLOUTS
 SEE DWG NO. 116229-01-000

WINNERBAGO INDUSTRIES, INC. 00 322R

| | | |
|------|-----------------------------|-----------|
| DATE | UNSPECIFIED TOLERANCES ARE: | MATERIAL: |
| DATE | WHOLE DIM (S) | FR |
| DATE | ONE-PLACE (S, M) | FR |
| DATE | TWO-PLACE (S, M, X) | FR |
| DATE | THIRD PLACE (S, M, X) | FR |
| DATE | THIRD PLACE (S, M, X) | FR |
| DATE | THIRD PLACE (S, M, X) | FR |
| DATE | THIRD PLACE (S, M, X) | FR |

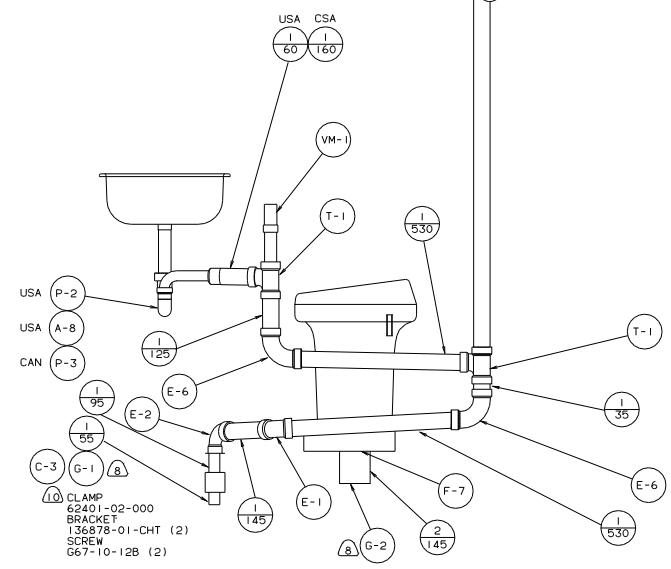
LAYER 322R
 NO. 00 322R
 TITLE: DRAINAGE SYSTEM INSTL
 ALL DIMENSIONS ARE IN MILLIMETERS SHEET 1 OF 3

SEALANT
SCREW
G67-10-126 (2)



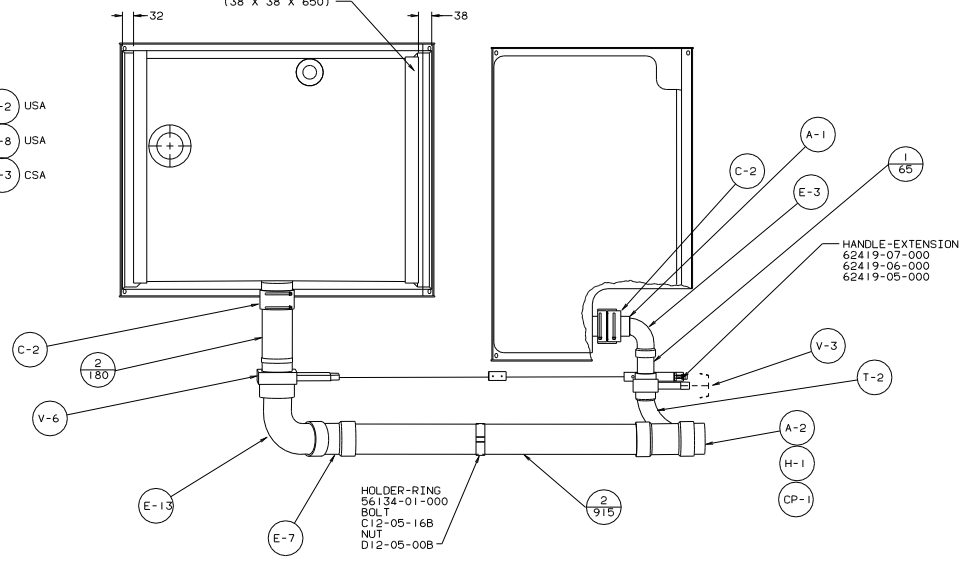
VIEW A-A

I 10 CLAMP
62401-02-000
BRACKET
136878-01-CHT (2)
SCREW
G67-10-126 (2)



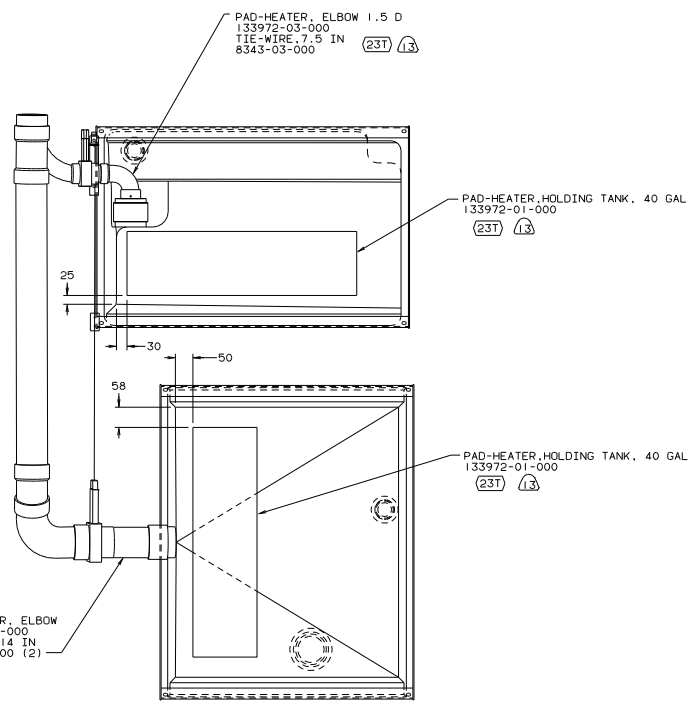
VIEW B-B

EXTR TUBE
64240-51-046 (2)
(38 X 38 X 650)

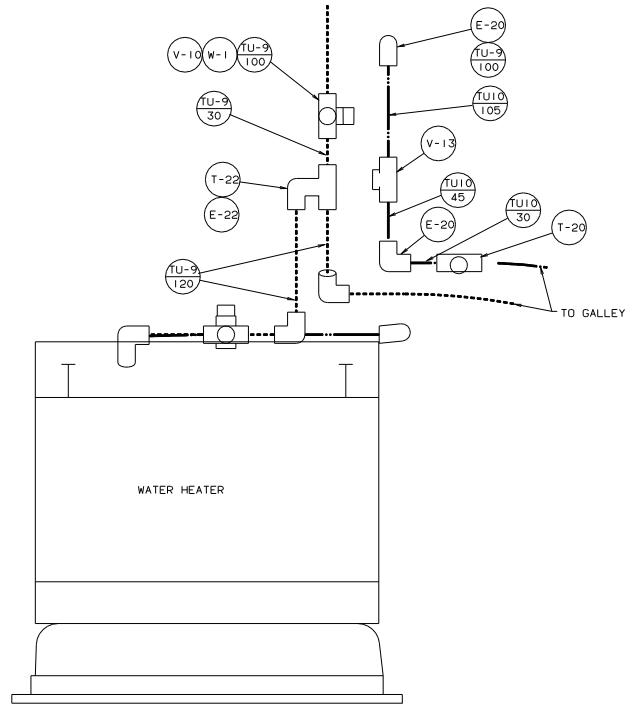


VIEW C-C

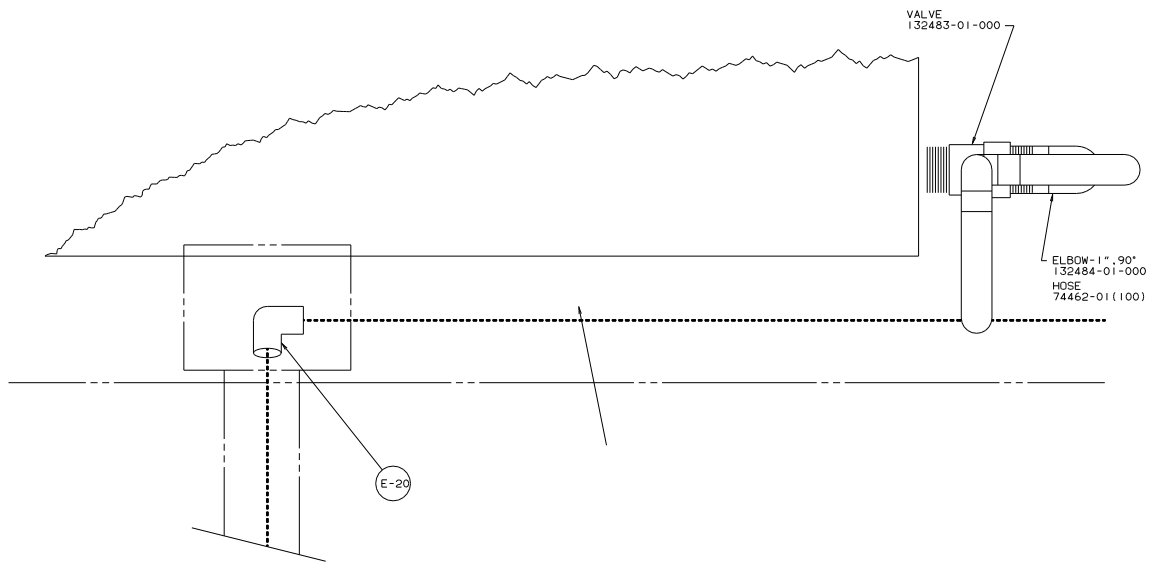
HOLDER-RING
56134-01-000
BOLT
C12-05-16B
NUT
D12-05-00B



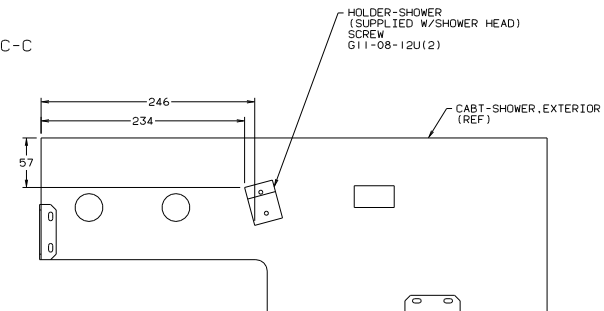
VIEW D-D



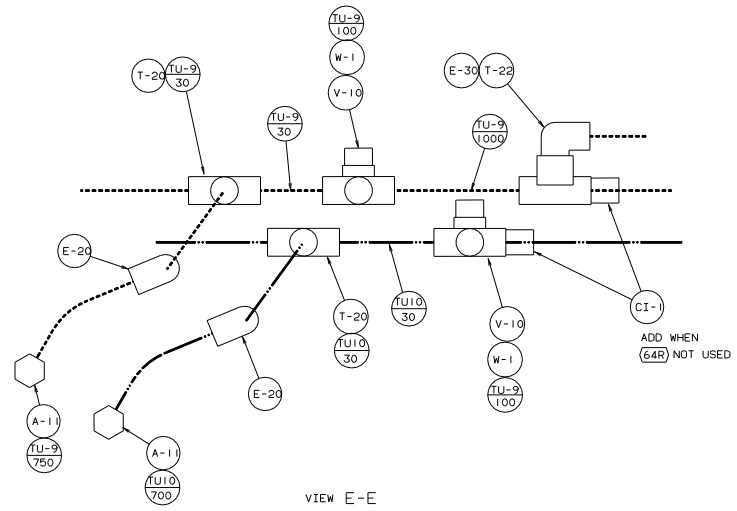
VIEW B-B



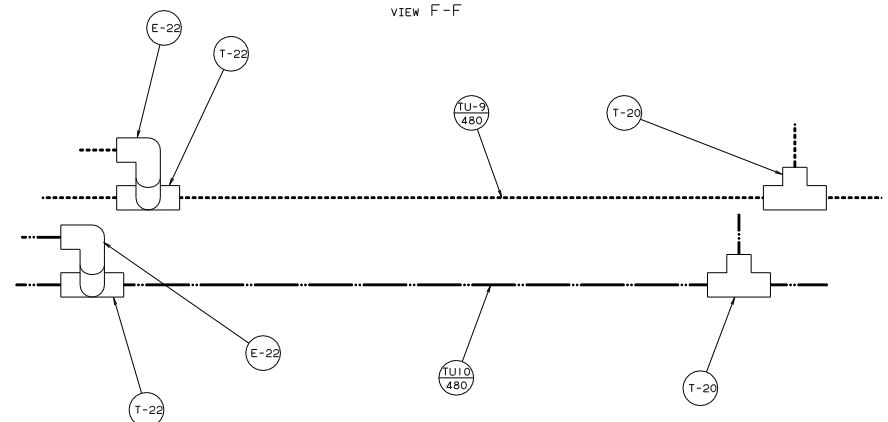
VIEW C-C



VIEW F-F



VIEW E-E



VIEW D-D

| | |
|---------------------------|------------|
| TITLE: WATER SYSTEM INSTL | |
| 30 NET SCALE DRAWING | SIZE 1/4" |
| SHEET 2 OF 2 | DATE 11/67 |
| 131957 | |