



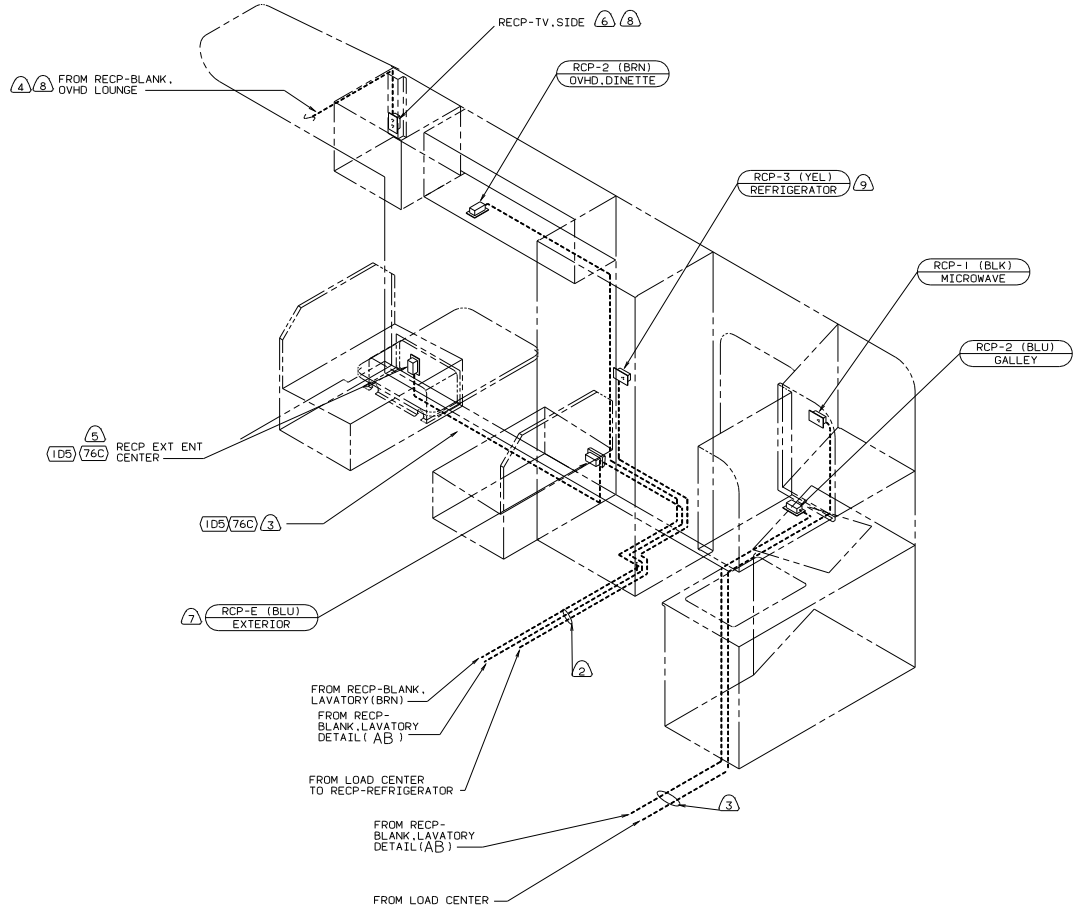
DANGER

Danger of electrical shock, burns or death. Always remove all power sources before attempting any repair, service or diagnostic work. Power can be present from shore power, generator, inverter or battery. All power sources must be disabled and secured before performing any service.



CAUTION

If you lack the skills, tools or equipment to perform diagnostic or repair work leave such work to an authorized Winnebago Industries dealer or other qualified shop.



- (9) LOCATE RECP ON REFRIGERATOR TIEDOWN BRACKET.
- (8) NOT USED WITH (78A)
- (7) NOT USED WITH (76C) OR (1D5)
- (6) SEE WIRING INSTL-TV/VCR, SIDE FOR ADDITIONAL INFORMATION.
- (5) SEE ENTERTAINMENT CENTER-COMPL FOR ADDITIONAL INFORMATION.
- (4) WIRE ROUTED IN ROOF.
- (3) ROUTE WIRE ALONG FLOOR.
- (2) ROUTE WIRE THRU FLOOR.

1. ALL CABLES TO BE SECURED WITH CLAMP 10495-01-000 OR CLIP 80734-01-000 EVERY 600MM, AND WITH IN 200MM OF A PANEL, BOX OR FITTING. USE SCREW G67-10-128 PER CLAMP UNLESS OTHERWISE SPECIFIED.

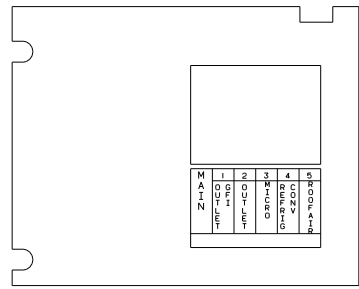
- (265) CODES/STANDARDS-CSA/CMVSS
- (1D5) ENTERTAINMENT CENTR/EXT W/CD
- (78A) TV-13" W/VCP-12V
- (76C) ENTERTAINMNT CTR/EXT CASSETTE
- (12D) ELECTRICAL SYSTEM 30 AMP
- (1B1) CODES/STANDARDS USA

02 322E (1B1)(12D)(265)

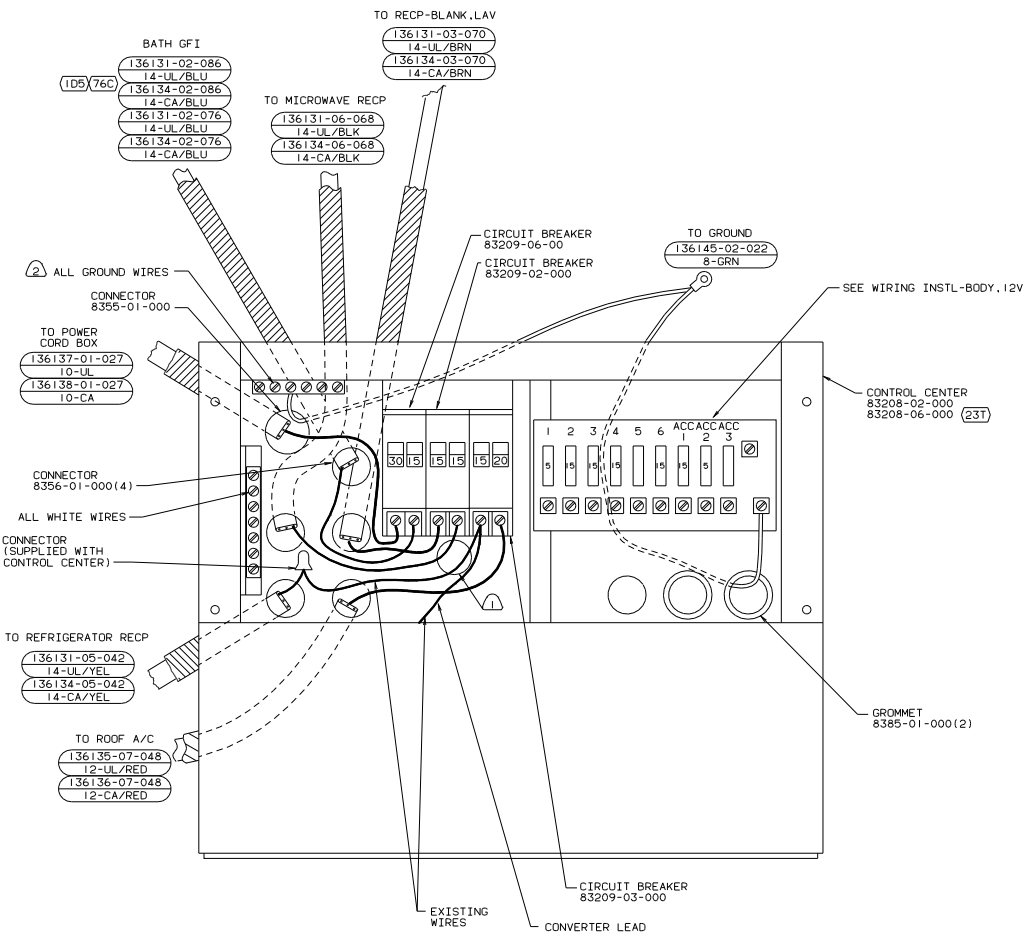
FOR ELECTRICAL TORQUE SPECIFICATIONS SEE DWG NO. 128783-01-000

FOR ELECTRICAL CALLOUTS SEE DWG NO. 121339-01-000

TITLE: WIRING INSTL-BODY, ILO RH
 DWG NO 137676
 SHEET 2 OF 3



PANEL COVER



- Ⓜ ALL GROUND WIRES TO BE COVERED WITH TUBING 8041-02-000.
- ⚠ ATTACH WIRES TO BACK SIDE OF LOAD CENTER WITH WIRE TIE 116673-01-000

- (265) CODES/STANDARDS-CSA/CMVSS
- (105) ENTERTAINMENT CENTR/EXT W/CD
- (23T) HEATED HOLDING TANKS-PACKAGE
- (76C) ENTERTAINMNT CTR/EXT CASSETTE
- (12D) ELECTRICAL SYSTEM 30 AMP
- (1B1) CODES/STANDARDS USA

FOR ELECTRICAL TORQUE SPECIFICATIONS SEE DWG NO. 128783-01-000

FOR ELECTRICAL CALLOUTS SEE DWG NO. 121339-01-000

02 322E (1B1)(12D)(265)
 WIRING INSTL-BODY.110 LC30
 SHEET 3 OF 3