

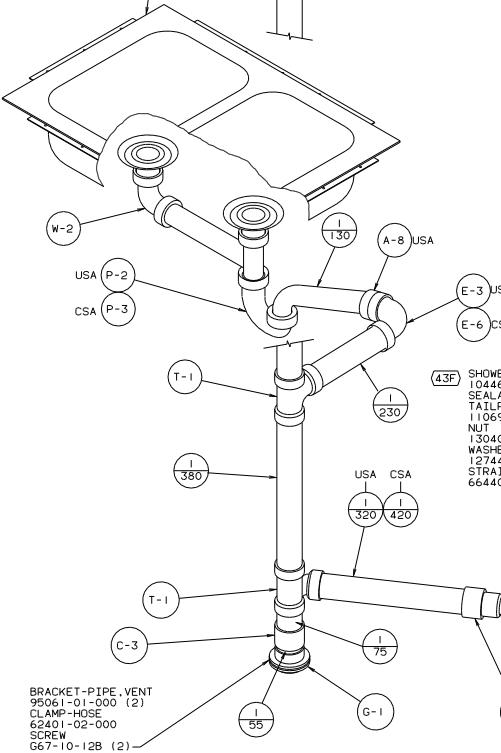
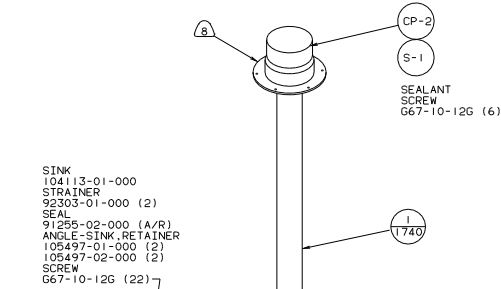
- ⑩ SEE WIRING INSTL-BODY. 12V FOR ELECTRICAL CONNECTIONS.
- 9. SECURE PIPES TO CABINET USING WIRE TIE 108046-02-000 AND SCREW G67-10-12U (8).
- ⑧ VENT PIPE MUST PROJECT 51 MIN TO 64 MAX ABOVE ROOF FOR PROPER FIT AND FUNCTION.
- 7 SEE DWG 61607-01-000 FOR INSTL OF GROMMET.
- 6 SEAL ALL AROUND SHOWER PAN.
- 5. FOR CANADIAN UNITS EACH HOLDING TANK SHALL HAVE A CSA APPROVAL STAMPED NEAR THE IAPMO APPROVAL.
- 4. ALL EXTERIOR OPENINGS AROUND PIPE TO BE SEALED WITH 110744-01-000.
- 3. ALL PIPE AND FITTINGS TO BE ASSEMBLED WITH SOLVENT 4020-01-000.
- 2. SLOPE OF TRAP MUST BE 6 PER 300 MINIMUM.
- 1. SLOPE OF HORIZONTAL PIPING TO BE 6 PER 300 MINIMUM.

(231) HEATED HOLDING TANKS-PACKAGE
 (43F) SHOWER SURROUND

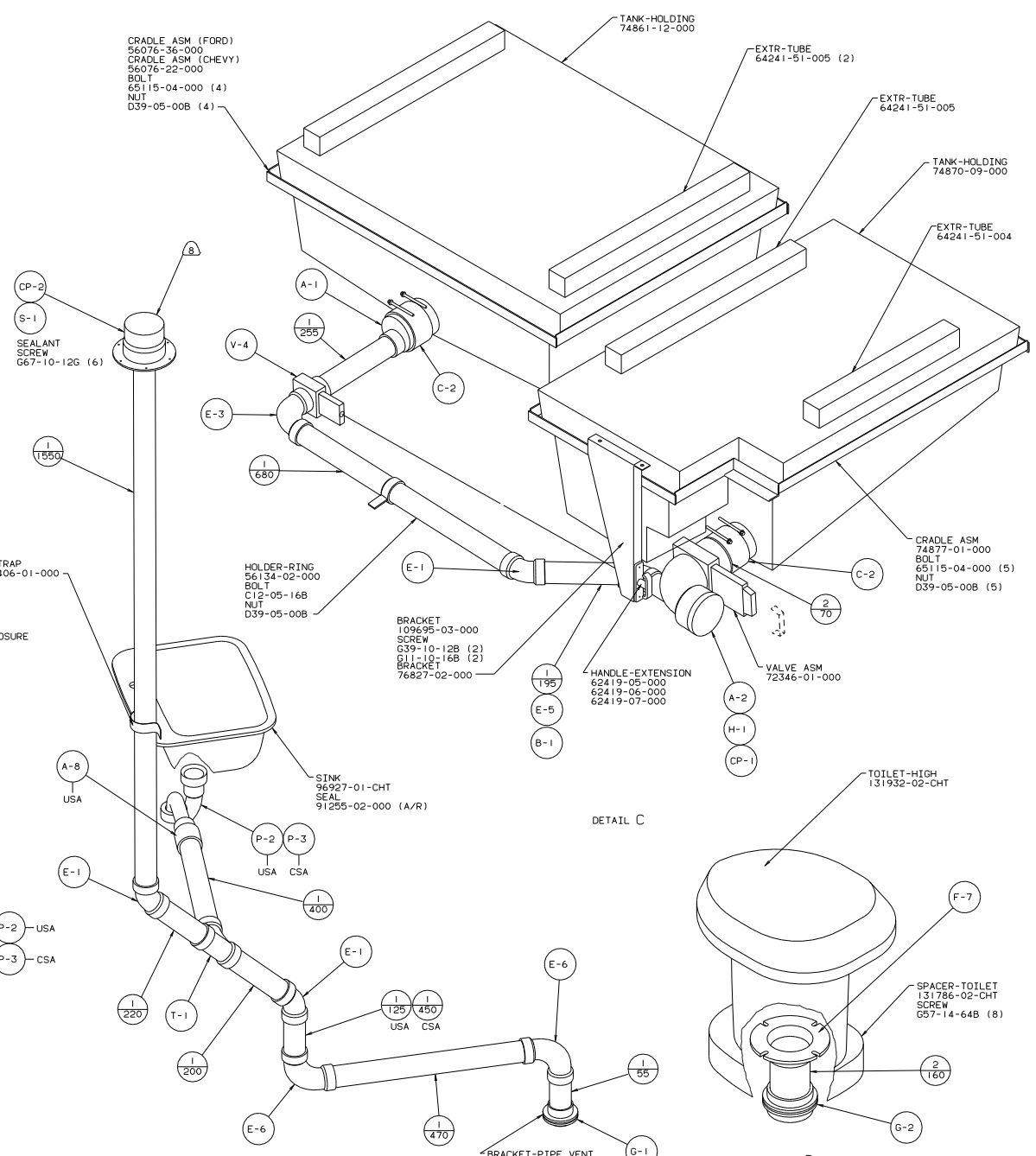
FOR DRAINAGE CALLOUTS SEE DWG NO. 116229-01-000

COPYRIGHT 2002 WINNERADO INDUSTRIES, INC.		WINNERADO 02 322E	
QTY	DATE	UNSPECIFIED TOLERANCES ARE:	MATERIAL
CHOP	DATE	1/2" ±	
PIE	DATE	ONE-PLACE (X.X1)	
IN E	DATE	TWO-PLACE (X.XX)	
CONP	DATE	THREE-PLACE (X.XXX)	
		PROJECTION	
LANHT NO	00C322E	TITLE	DRAINAGE SYSTEM INSTL
REV #	SCALE: NONE	30-MET SCALE DRAWING	FILE NO
ALL DIMENSIONS ARE IN MILLIMETERS	SHEET 1	OF 3	140639

NOTES:



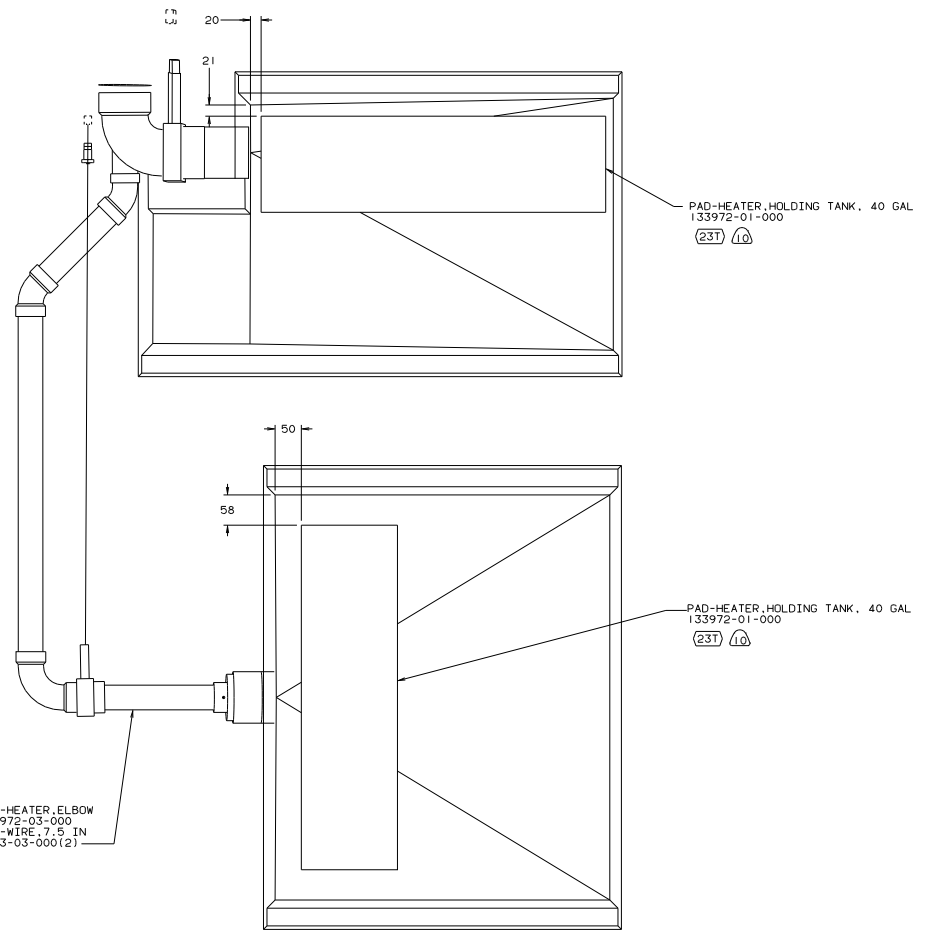
DETAIL A

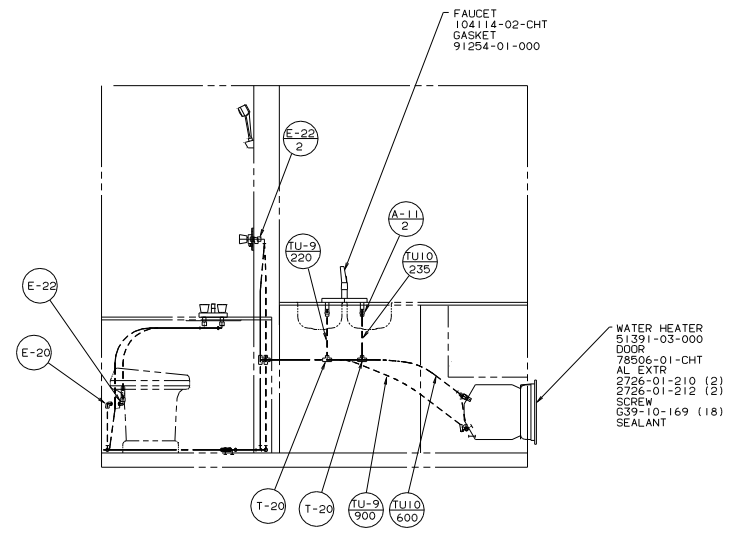
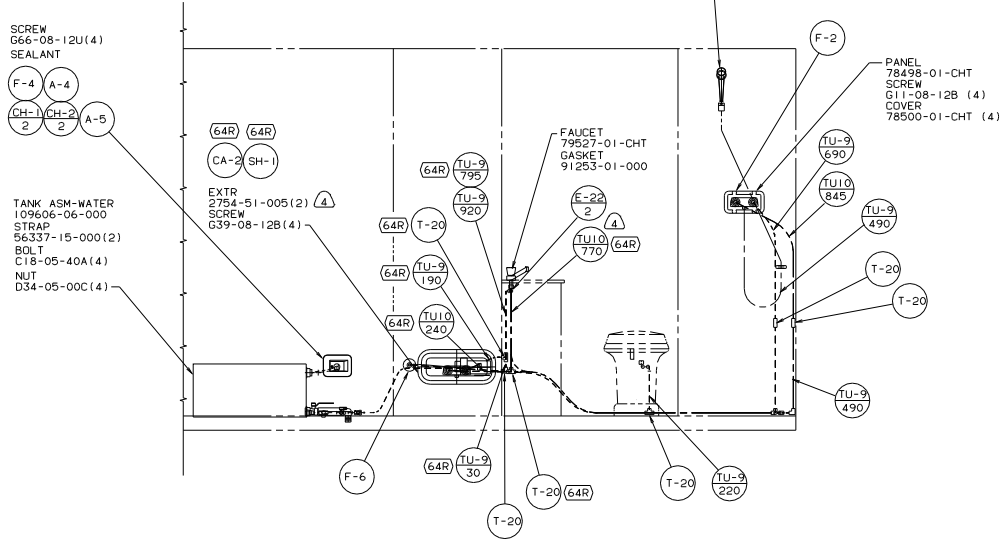
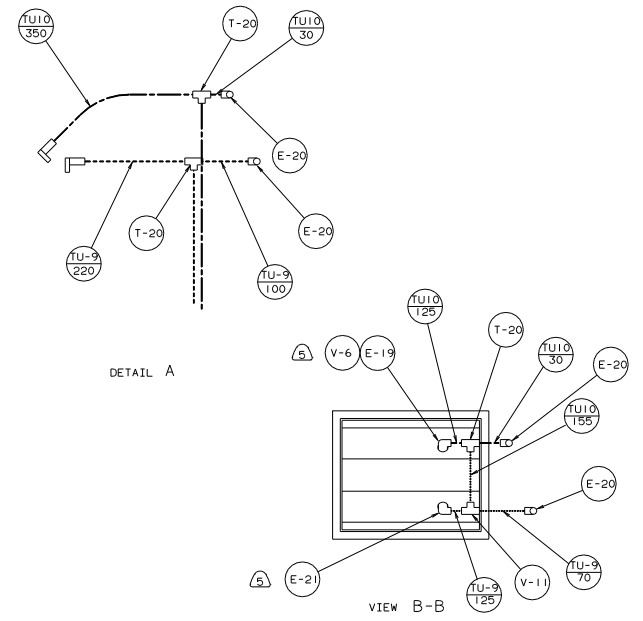
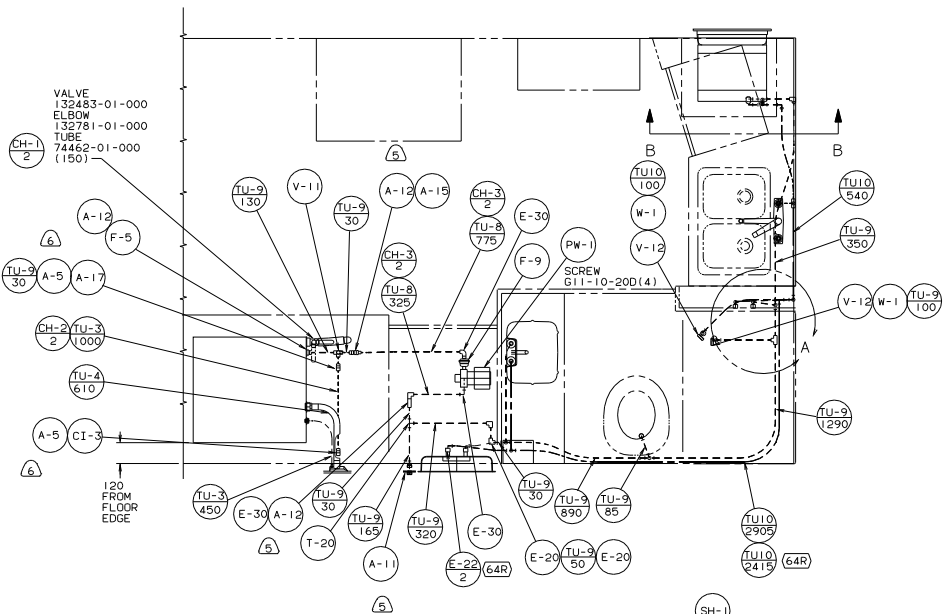


DETAIL C

DETAIL B

DETAIL D





- 6 ADD TEFLON TAPE 10405-03-000 TO FITTING.
 - 5 ADD TEFLON TAPE 10405-02-000 TO FITTING.
 - 4 CAPSEAL SEE SEALANT MANUAL.
3. ALL TUBING TO BE SECURED AT 1200 INTERVALS MAX WITH CLAMP 10495-01-000 AND SCREW G67-10-12B.
 2. TUBING TO BE INSTALLED WITH SUFFICIENT SLOPE TO PROVIDE DRAINAGE TO NEAREST VALVE.
 1. PLASTIC FITTINGS TO BE SEALED WITH SEALANT 84456-01-000.

LEGEND

HOT - - - - -
 COLD - - - - -

X-X FOR WATER CALLOUTS SEE DWG NO. 116230-01-000

00 322E

WINNERAGO INDUSTRIES, INC. WINNERAGO

DATE	UNSPECIFIED TOLERANCES ARE:	MATERIAL
DATE	HALF DIM 1/16"	
DATE	HOLE-PLATE 1/8"	
DATE	HOLE-PLATE 1/16"	
DATE	ANGLE	
DATE	INDUS. ANGLE	
DATE	PROJECTION	

LANHT 00C322E TITLE: WATER SYSTEM INSTL

R/A # SCALE: NONE 30 NET SCALE DRAWING SIZE: 11.6

ALL DIMENSIONS ARE IN MILLIMETERS SHEET 1 OF 1

REF: 129143 G 1

64R EXTERIOR WASH STATION