



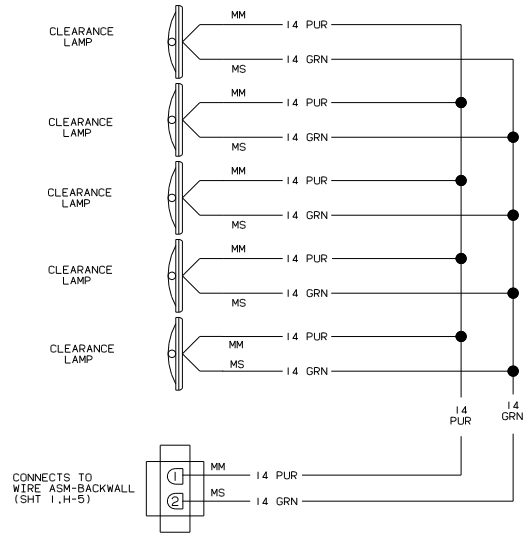
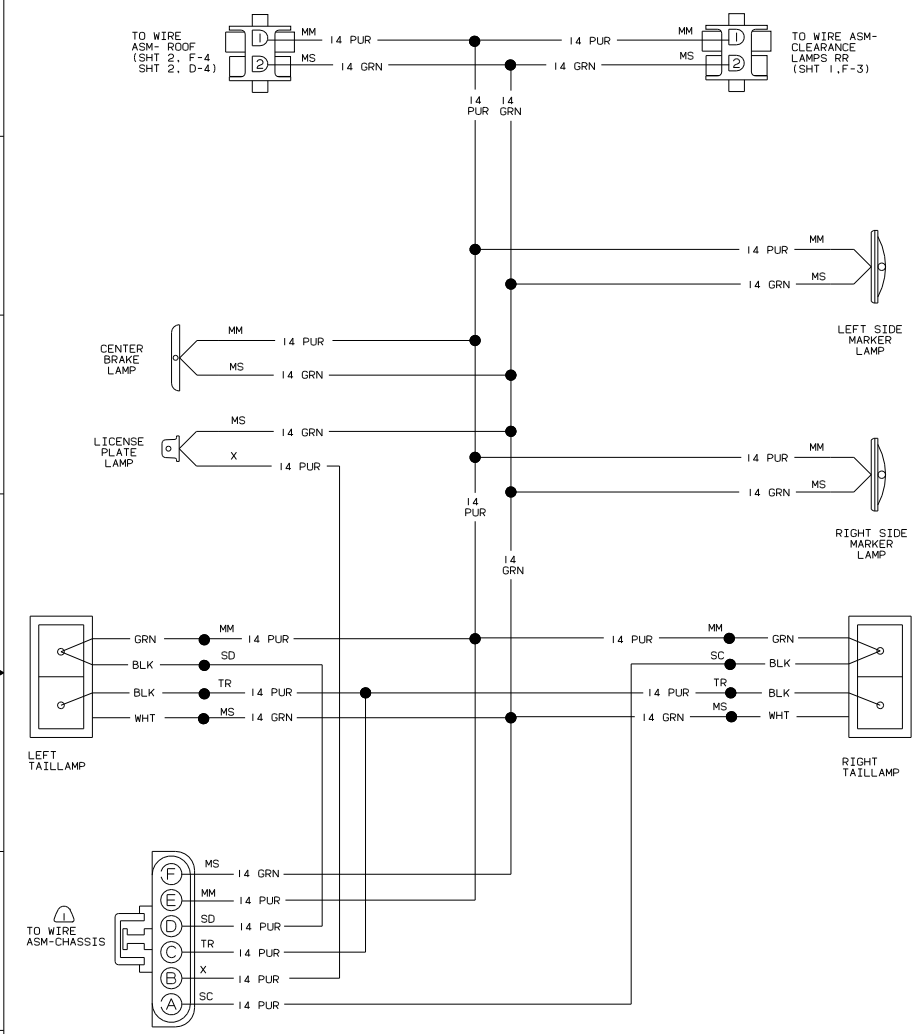
DANGER

Danger of electrical shock, burns or death. Always remove all power sources before attempting any repair, service or diagnostic work. Power can be present from shore power, generator, inverter or battery. All power sources must be disabled and secured before performing any service.

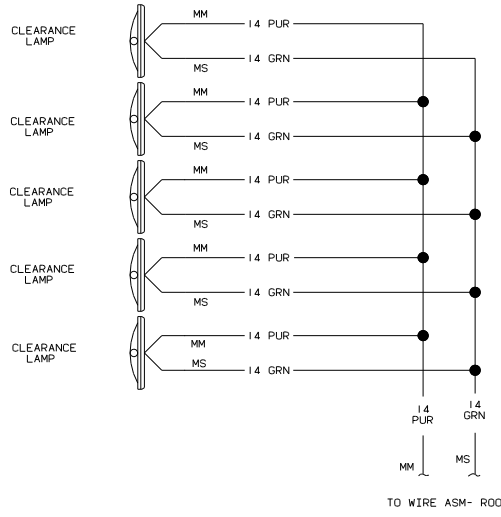


CAUTION

If you lack the skills, tools or equipment to perform diagnostic or repair work leave such work to an authorized Winnebago Industries dealer or other qualified shop.



FRONT WIRING DIAGRAM
 CLEARANCE LIGHTS
 (WIRE ASM 132085-02)



FRONT WIRING DIAGRAM
 CLEARANCE LIGHTS
 (WIRE ASM 132085-01)

NOTES: (1) SEE MANUFACTURER'S DIAGRAM FOR ADDITIONAL INFORMATION.

WINNERCO 01 300/400

DATE	DATE	UNSPECIFIED TOLERANCES ARE:	MATERIAL
CHKR	DATE	FAKED DIM (X)	
D.F.E	DATE	ONE-PLACE (X, X)	
M.F.C	DATE	TWO-PLACE (X, X)	
CONR	DATE	THREE-ANGLE INDUCTION	
LAOUR NO	TITLE		
SCALE	SCALE		

WIRING DIAGRAM-AUTO LAMPS
 SHEET 1 OF 2 I.F. NO 134998
 REF: 132847 PAGE 1

